

# **WS SERIES**

**WS - 3000/4000/5000/7000  
MODEL: 3537/3538/3535/3536**

## **PARTS MANUAL**



A11859

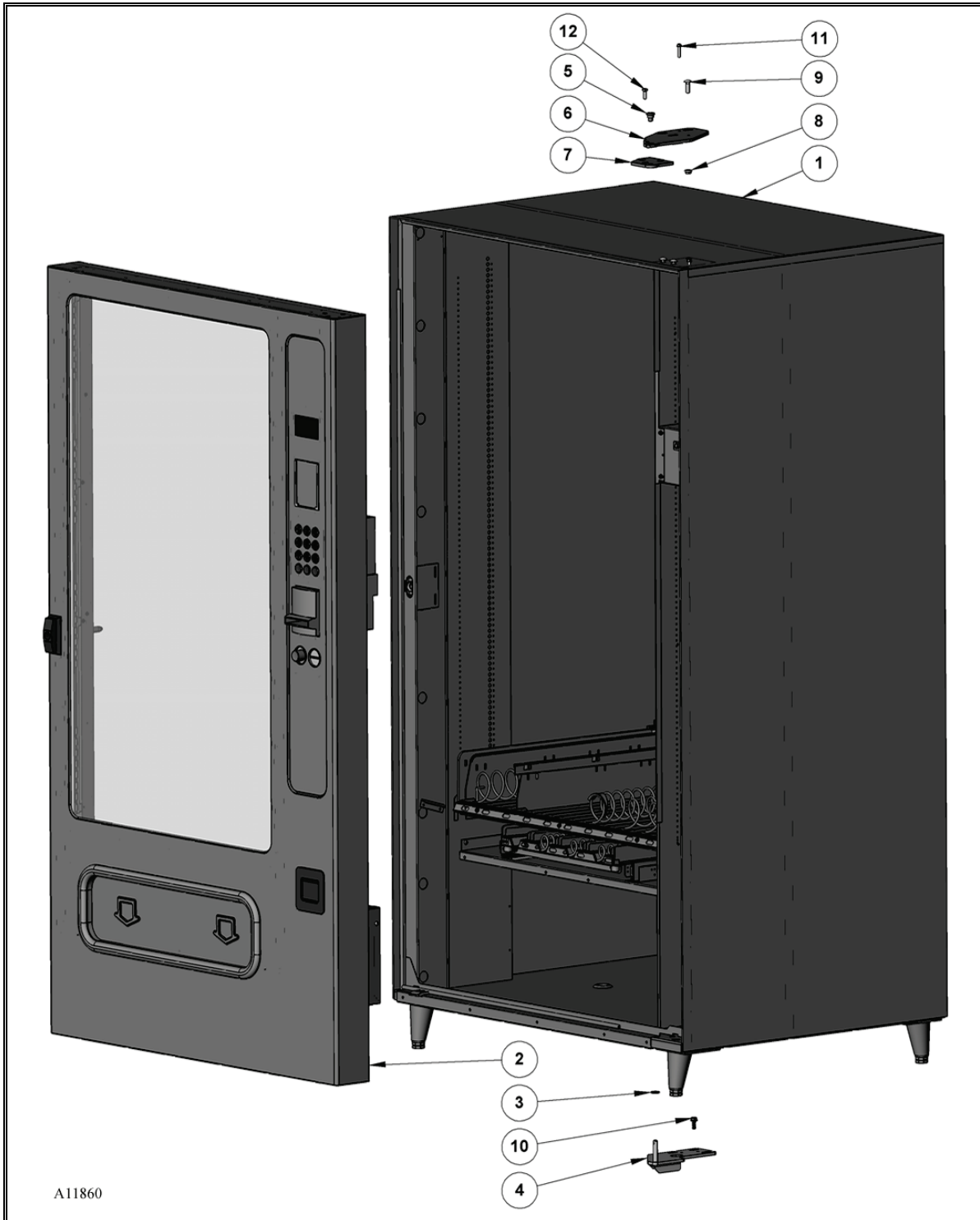
**VendNet™**

165 North 10<sup>th</sup> Street  
Waukee, Iowa 50263-0488  
United States of America

# TABLE OF CONTENTS

<b>FINAL ASSEMBLY .....</b>	<b>1</b>
<i>FINAL ASSEMBLY PARTS LIST .....</i>	<i>2</i>
<b>DOOR ASSEMBLY .....</b>	<b>3</b>
<i>DOOR ASSEMBLY PARTS LIST .....</i>	<i>5</i>
<b>CABINET ASSEMBLY .....</b>	<b>8</b>
<i>CABINET ASSEMBLY PARTS LIST .....</i>	<i>9</i>
<b>DELIVERY BOX ASSEMBLY .....</b>	<b>10</b>
<i>DELIVERY BOX ASSEMBLY PARTS LIST .....</i>	<i>11</i>
<b>DELIVERY BOX ASSEMBLY .....</b>	<b>12</b>
<i>DELIVERY BOX ASSEMBLY PARTS LIST .....</i>	<i>13</i>
<b>POWER PANEL ASSEMBLY .....</b>	<b>14</b>
<i>POWER PANEL ASSEMBLY PARTS LIST .....</i>	<i>14</i>
<b>5W TRAY ASSEMBLY (WS5000 &amp; WS7000).....</b>	<b>15</b>
<i>5W TRAY ASSEMBLY (WS5000 &amp; WS7000) PARTS LIST .....</i>	<i>16</i>
<b>3W &amp; 4W TRAY ASSEMBLY (WS3000 &amp; WS4000).....</b>	<b>17</b>
<i>3W &amp; 4W TRAY ASSEMBLY (WS3000 &amp; WS 4000) PARTS LIST .....</i>	<i>18</i>
<b>G &amp; M TRAY ASSEMBLY .....</b>	<b>19</b>
<i>G &amp; M TRAY ASSEMBLY PARTS LIST .....</i>	<i>20</i>
<b>G &amp; M TRAY ASSEMBLY (4W &amp; 5W).....</b>	<b>21</b>
<i>G &amp; M TRAY ASSEMBLY (4W &amp; 5W) PARTS LIST .....</i>	<i>22</i>
<b>OPTIONAL SPIRALS .....</b>	<b>23</b>
<b>OPTIONAL PRICE SCROLLS.....</b>	<b>24</b>

## FINAL ASSEMBLY



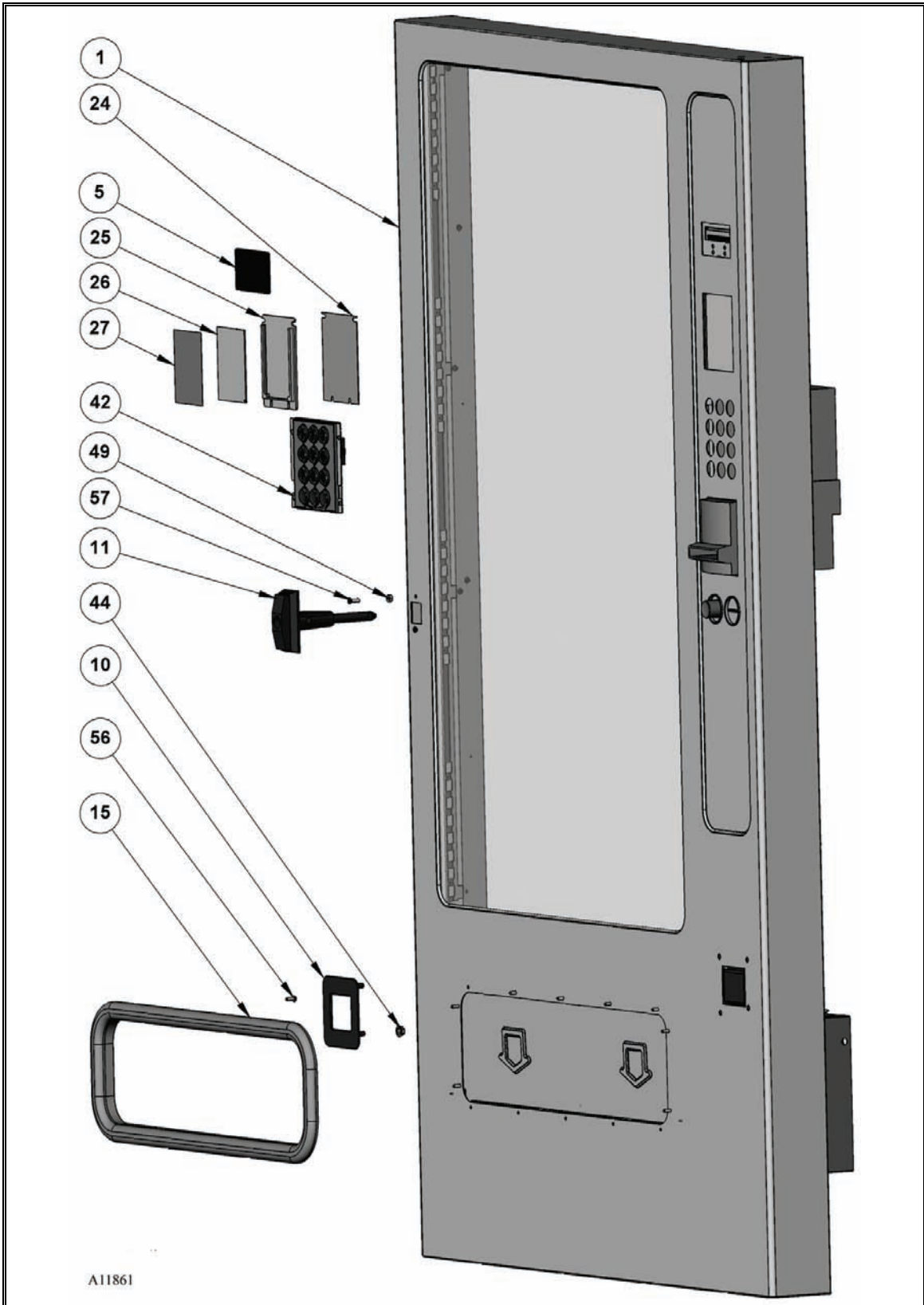
## FINAL ASSEMBLY PARTS LIST

ITEM NO.	PART NUMBER	WS 3000	WS 4000	WS 5000	WS 7000	DESCRIPTION
1	(SEE PAGE #8)	1	1	1	1	CABINET ASSEMBLY
2	(SEE PAGE #3)	1	1	1	1	DOOR ASSEMBLY
3	4050767	2	2	1	1	3/8 FLAT WASHER NYLON
4	1217399	1	1	1	1	BOTTOM HINGE WELD
5	4214201	1	1	1	1	TOP HINGE PIN
6	4216211	1	1	1	1	TOP HINGE PLATE
7	4216367	1	1	1	1	TOP HINGE BOTTOM PLATE
8	8810015	3	3	3	3	5/16- 18 FLANGE LOCK NUT
9	8810013	3	3	3	3	5/16-18X1 CARR. BOLT
10	8801388	3	3	3	3	5/16-18X3/4 HWH TYPE-1
11	4215175	4	4	4	4	12-18 X 1 HWH TEK
12	4201239	1	1	1	1	1/4-20X3/4 HWH TAPTIT

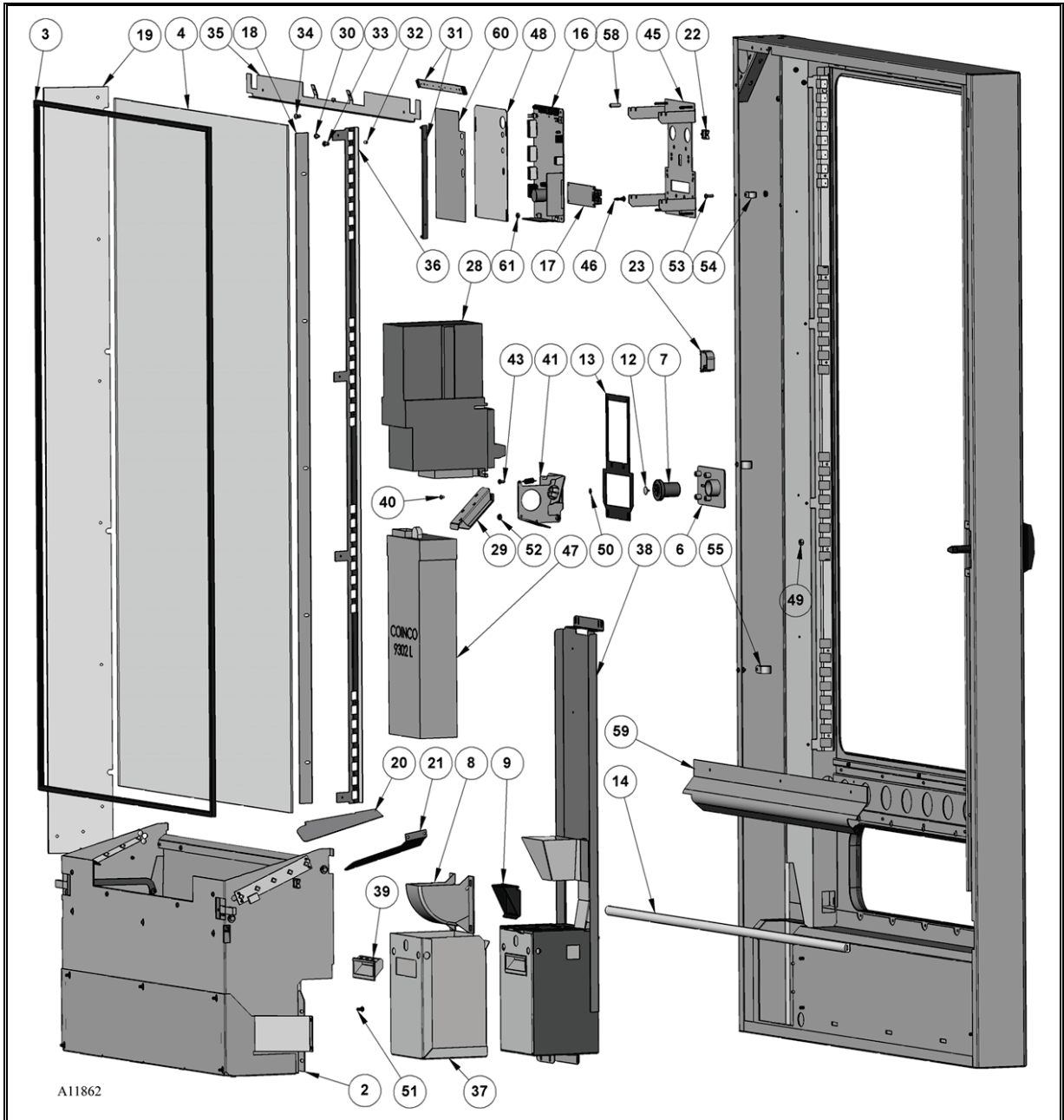
### LIST OF THE PARTS NOT SHOWN

13	4216395	1	1	1	1	SELECTOR PANEL DECAL
14	4216016	1	1	1	1	GFCI POWER CORD

## DOOR ASSEMBLY



A11861



## DOOR ASSEMBLY PARTS LIST

ITEM NO.	PART NUMBER	WS 3000	WS 4000	WS 5000	WS 7000	DESCRIPTION
1	1217525	1	-	-	-	DOOR WELD
	1217524	-	1	-	-	
	1217465	-	-	1	-	
	1217407	-	-	-	1	
2	<b>(SEE PAGES 10 &amp; 12)</b>	1	1	1	1	DELIVERY BOX ASSEMBLY
3	4202039.003	1	-	-	-	WINDOW GASKET
	4202039.004	-	1	-	-	
	4202039.005	-	-	1	-	
	4202039.010	-	-	-	1	
4	4202051.013	1	-	-	-	DISPLAY GLASS
	4202051.014	-	1	-	-	
	4202051.012	-	-	1	-	
	4202051.011	-	-	-	1	
5	4202841.009	1	1	1	1	READOUT WINDOW / BLUE
6	4203186.XXX	1	1	1	1	COIN INSERT BLACK (SPECIFY COIN SIZE)
7	4203187	1	1	1	1	COIN RETURN BUTTON
8	4203207	1	1	1	1	COIN CUP/BLACK
9	4203208	1	1	1	1	COIN CUP DOOR/BLACK
10	4203209	1	1	1	1	COIN CUP BEZEL/BLACK
11	4203486.005	1	1	1	1	QUARTER TURN HANDLE
12	4209188	1	1	1	1	SNAP PIN
13	4210954	1	1	1	1	INSERT MOUNT
14	4213532	AR	AR	AR	AR	D-GASKET
15	4214609.003	1	-	-	-	DELIVERY BEZEL
	4214609.004	-	1	-	-	
	4214609.005	-	-	1	1	
16	4214682.002	1	1	1	1	CONTROL BOARD GVC2-WIRE/3
17	4216028	1	1	1	1	VF DISPLAY, RIGHT ANGLE
18	4216551	2	2	1	-	SIDE WINDOW RETAINER
	4216116	-	-	-	1	
19	4216545	1	1	1	-	RIGHT DOOR PARTITION
	4216148	-	-	-	1	
20	4216230	1	1	1	1	RIGHT DELIVERY DEFLECTOR
21	4216231	1	1	1	1	LEFT DELIVERY DEFLECTOR
22	4216313	2	2	2	5	CLAMP
23	4216370	1	1	1	1	ROUND WIRE CLAMP
24	4201907.001	1	1	1	1	VALIDATOR PLATE
25	4209639	1	1	1	1	VALIDATOR FILLER
26	4209656.001	1	1	1	1	POP PLATE
27	4210396.012	1	1	1	1	FILLER DECAL-IVEND ENGLISH
28	OPTIONAL	1	1	1	1	BILL VALIDATOR

29	1212097	1	1	1	1	COIN CHUTE-WELD-ZN
30	4050420.001	AR	AR	AR	AR	8-18x1/4 PHIL HWH TY-/BLK
31	4216544	9	9	9	9	LED LIGHT ENGINE
32	4216676	16	16	16	16	NYLON SPACER 1/8 X 3/16
33	4215561.019	16	16	16	18	SNAP RIVET/BLACK
34	4215561.014	2	2	2	-	SNAP RIVET/BLACK
35	4216776	1	1	-	-	UPPER LED MOUNT
	4216555	-	-	1	1	
36	4216546	2	2	2	-	LED MOUNT
	4216532	-	-	-	2	
37	1216639	1	1	1	1	COIN BOX WELD/BLACK
38	1216768.001	1	1	1	1	COIN BOX MOUNT RIVET ASSEMBLY
39	4214081	1	1	1	1	FLUSH PULL HANDLE
40	4201942	2	2	2	2	6-20 X 3/16 PHL PH TYP - B
41	1216187	1	1	1	1	COIN RETURN LEVER MECHANISM
42	1216670	1	1	1	1	KEY PAD ASSEMBLY
43	4050423	14	14	14	14	8-18X3/8 PHIL PH TY-A
44	4050747	4	4	4	4	1/4 STAMPED HEX NUT
45	4216656.001	1	1	1	1	DISPLAY MOUNT W/STUDS
46	4211310.375	1	1	4	4	STANDOFF
47	OPTIONAL	1	1	1	1	COIN MECHANISM
48	4216657	1	1	1	1	CONTROL BOARD COVER
49	4050495	2	2	2	2	10-32 NUT, TWO WAY LOCK
50	4050585	2	2	2	2	# 8 EXT TOOTH LOCK WASHER
51	8800638	10	10	10	10	10-16X3/8 PHL PH TYPE
52	8800956	18	18	18	18	8-32 HEX NUT W/ETW
53	4050247	3	3	3	3	8-32X1/2 PHIL PH MS
54	8324099.4	1	1	1	1	CLAMP – 3/8 X 3/8
55	8324099.7	2	2	2	2	CLAMP – 1/2 X 5/8
56	8801322	14	14	14	14	8-18X1/2 PHIL PH HILO
57	8810000	2	2	2	2	10-32X5/8 PHIL FH MS
58	4216687.750	4	4	4	4	TUBULAR SPACER 3/4"
	4216775	1	-	-	-	
59	4216774	-	1	-	-	BOTTOM WINDOW DEFLECTOR
	4216547	-	-	1	-	
60	4216031	1	1	1	1	SERVICE MODEL LABEL - GVC2
61	4209866	4	4	1	1	6-32 NYLON NUT

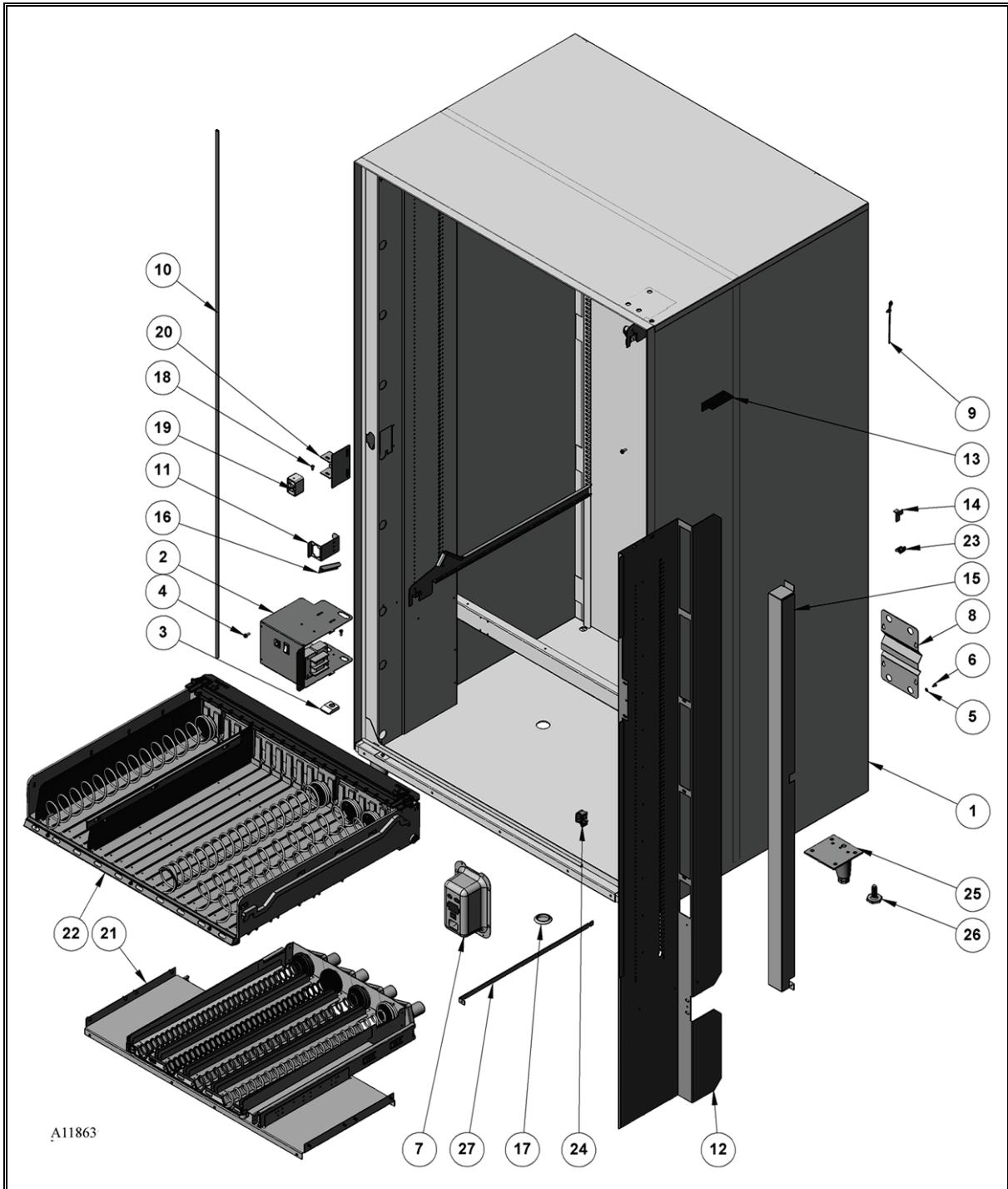
**LIST OF PARTS NOT SHOWN**

62	4215471	1	1	1	1	MDB CABLE/GVC1
63	4215719	1	1	1	1	GVC2 DISPLAY CABLE
64	4216099	1	1	1	1	KEYPAD CABLE
65	4216691	8	8	8	8	TAB WIRE ASSEMBLY
66	4216692	4	4	4	4	.187 WIRE ASSEMBLY
67	4216649	1	1	1	1	LED POWER HARNESS



68	4216693.004	12	12	12	-	20 GA WIRE/BLACK-3.75"
	4216693	-	-	-	12	20 GA WIRE/BLACK-6"
69	4216708	-	-	-	1	I - VEND EXTENSION CABLE

## CABINET ASSEMBLY



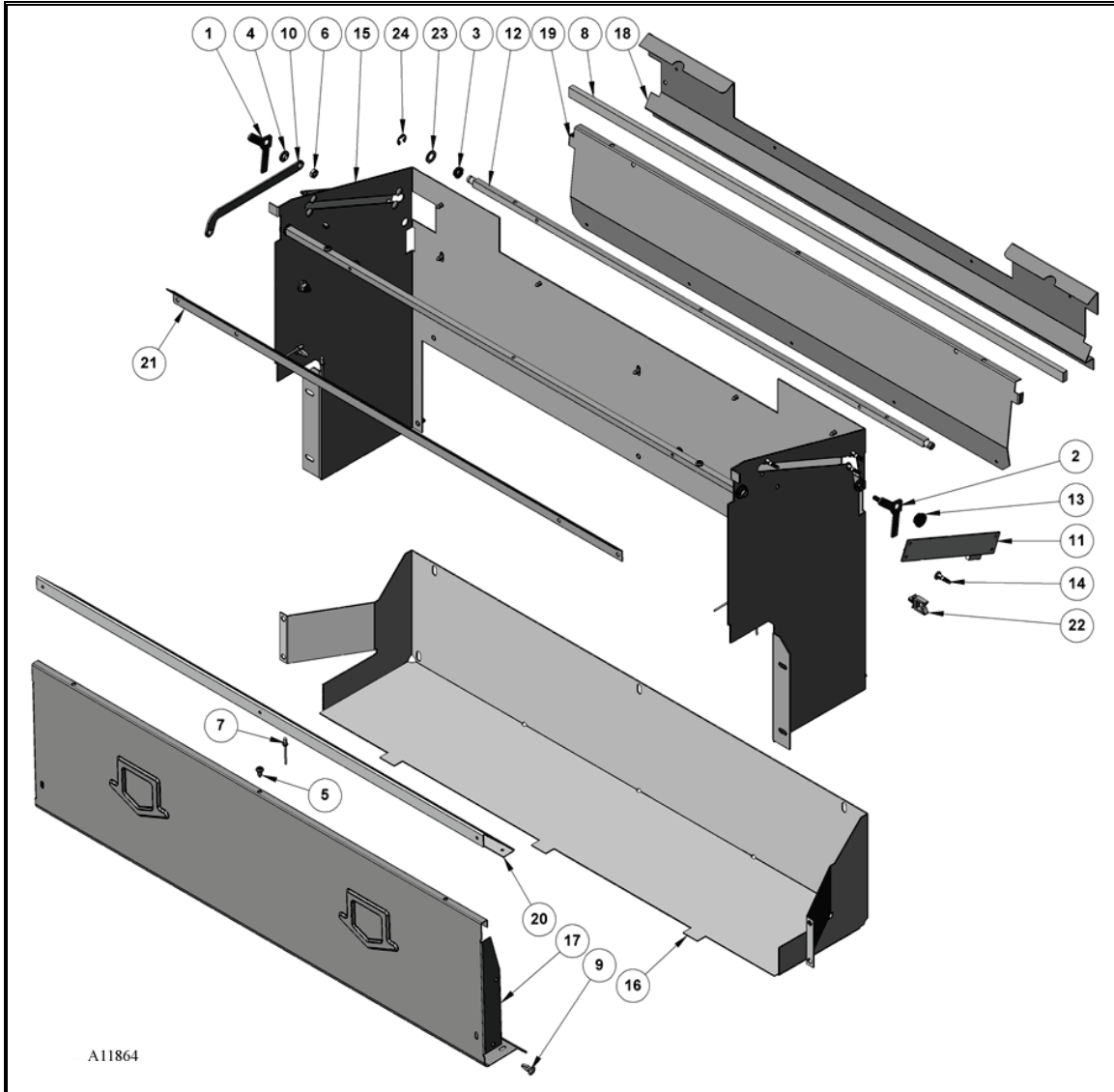
### CABINET ASSEMBLY PARTS LIST

ITEM NO.	PART NUMBER	WS 3000	WS 4000	WS 5000	WS 7000	DESCRIPTION
1	1217520	1	-	-	-	CABINET WELD ASSEMBLY
	1217517	-	1	-	-	
	1217463	-	-	1	-	
	1217312	-	-	-	1	
2	<b>(SEE PAGE#14)</b>	1	1	1	1	POWER BOX ASSYEMBLY/110V/LED
3	4025610	1	1	1	1	DOOR GLIDE
4	4050202	10	10	10	11	8-18 x 1/2 PHIL HWH TEK
5	4050585	2	2	2	2	#8 EXT TOOTH LOCK WASHER
6	4050239	37	37	37	41	8-32X3/8 PHL PH TYP-T
7	4216393	1	1	1	1	CONNECTION BOX
8	4213448	1	1	1	1	CONNECTION BOX COVER
9	4213784	1	1	1	1	PUSH BUTTON WIRE TIE
10	4215365	AR	AR	AR	AR	D-GASKET
11	4216077	6	6	6	7	TRAY PLUG MOUNT
12	4216733	1	1	-	-	RIGHT CABINET PARTITION
	4216543	-	-	1	-	
	4216132	-	-	-	1	
13	4216134	1	1	1	1	PARTITION ANGLE
14	4216146	-	-	2	2	TRAY RAIL BRACKET
15	4216159	1	1	1	1	HARNESS COVER
16	4216232	1	1	1	1	CABINET DELIVERY DEFLECTOR
17	7250135.000	1	1	2	2	HOLE PLUG -BP 1 3/8"
18	8800638	12	12	12	12	10-16 X 3/8 PHL PH TYPE
19	4203634	1	1	1	1	SPLIT NUT ASSEMBLY
20	1217398	1	1	1	1	LOCK NUT WELD
21	<b>(SEE PAGES 19 &amp; 20)</b>	1	1	1	1	G & M TRAY ASSEMBLY
22	<b>(SEE PAGE#17)</b>	6	6	-	-	3W & 4W TRAY ASSEMBLY
	<b>(SEE PAGE#15)</b>	-	-	6	7	5W TRAY ASSEMBLY
23	4216313	7	7	7	8	CLAMP
24	4216370	1	1	1	1	ROUND WIRE CLAMP
25	1214704.001	4	4	4	-	LEG ASSEMBLY (6")
26	4060310	-	-	-	4	LEG LEVELER
27	4216135	1	1	-	-	CABINET BACK BRACE

#### LIST OF PART NOT SHOWN

28	4216298	-	-	1	1	POWER HARNESS
	4216553	1	1	-	-	
29	4216543	-	-	1	-	MAIN HARNESS
	4216300	-	-	-	1	

## DELIVERY BOX ASSEMBLY



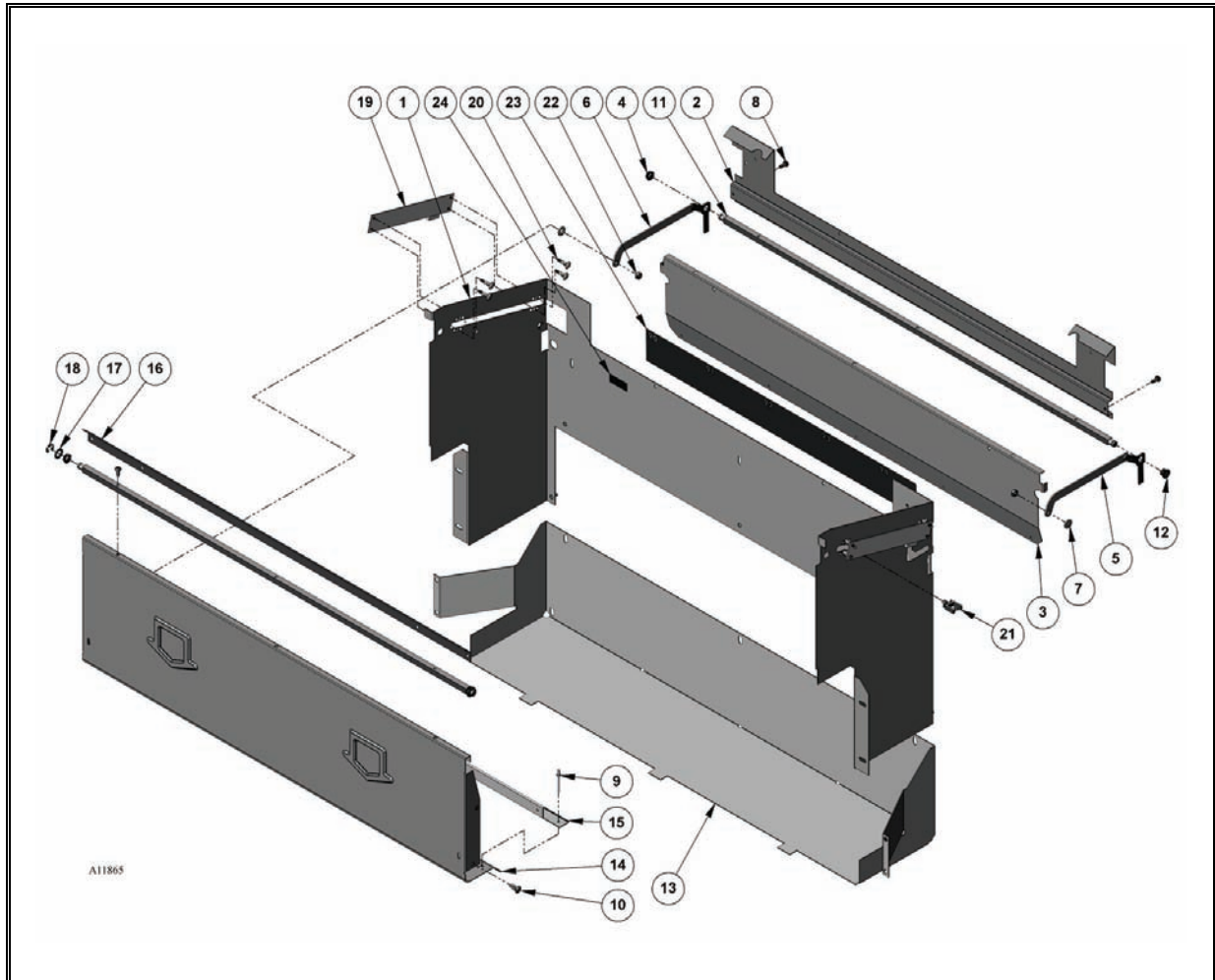
**NOTE:**

DELIVERY BOX USED ON MACHINES WITH G & M TRAY ASSEMBLY LISTED ON PAGES 19 & 20. MACHINES BUILT BEFORE NOVEMBER 2009 – APPROXIMATE DATE – HAVE S/N OF MACHINE AVAILABLE WHEN ORDERING PARTS.

**DELIVERY BOX ASSEMBLY PARTS LIST**

ITEM NO.	PART NUMBER	WS 3000	WS 4000	WS 5000	WS 7000	DESCRIPTION.
1	1216111.001	1	1	1	1	ANTI CHEAT LINK STAKE
2	1216111.002	1	1	1	1	ANTI CHEAT LINK STAKE
3	4025263.001	2	2	2	2	TYPE#5 NYLINER 5/16ID
4	4030100	4	4	4	4	BUSHING-SPACER
5	4050239	16	16	16	16	8-32 x 3/8 PHIL PH TYP-T
6	4050511	4	4	4	4	8-32 NUT-TWO WAY LOCK
7	4050663	5	5	5	5	1/8 x 1/4 RIVET
8	4060006.500	AR	AR	AR	AR	1/4"X1/2" FOAM TAPE
9	4205329	2	2	2	2	ARROW CLIP
10	4212462	2	2	2	2	DELIVERY LINK
11	4212464.011	1	1	1	1	DELIVERY SENSOR COMPLETE/GVC2
12	4214104	2	-	-	-	DELIVERY SHAFT
	4216780	-	2	-	-	
	4214105	-	-	2	2	
13	4214112	2	2	2	2	NYLON SHOULDER BUSHING
14	4214729	8	8	8	8	STANDOFF
15	4216752.001	1	-	-	-	DELIVERY BOX WRAPPER W/STUD
	4216751.001	-	1	-	-	
	4216094.001	-	-	1	1	
16	4216754	1	-	-	-	DELIVERY BOX BOTTOM WELD
	4216753	-	1	-	-	
	4216100	-	-	1	1	
17	4216756.001	1	-	-	-	DELIVERY DOOR W/STUDS
	4216755.001	-	1	-	-	
	4216108.001	-	-	1	1	
18	4216764	1	-	-	-	BACK DELIVERY DEFLECTOR
	4216763	-	1	-	-	
	4216110	-	-	1	1	
19	4216760	1	-	-	-	BACK DELIVERY ANTI-CHEAT
	4216759	-	1	-	-	
	4216111	1	-	1	1	
20	4216779	1	-	-	-	DELIVERY DOOR BRACE
	4216778	-	1	-	-	
	4216199	-	-	1	1	
21	4216758	1	-	-	-	DELIVERY FRONT DOOR ANTI-CHEAT
	4216757	-	1	-	-	
	4216229	-	-	1	1	
22	4216313	2	2	2	2	CLAMP
23	8324353	4	4	4	4	5/16 ID FLAT WASHER
24	8801080	4	4	4	4	E-RING, 5/16

## DELIVERY BOX ASSEMBLY



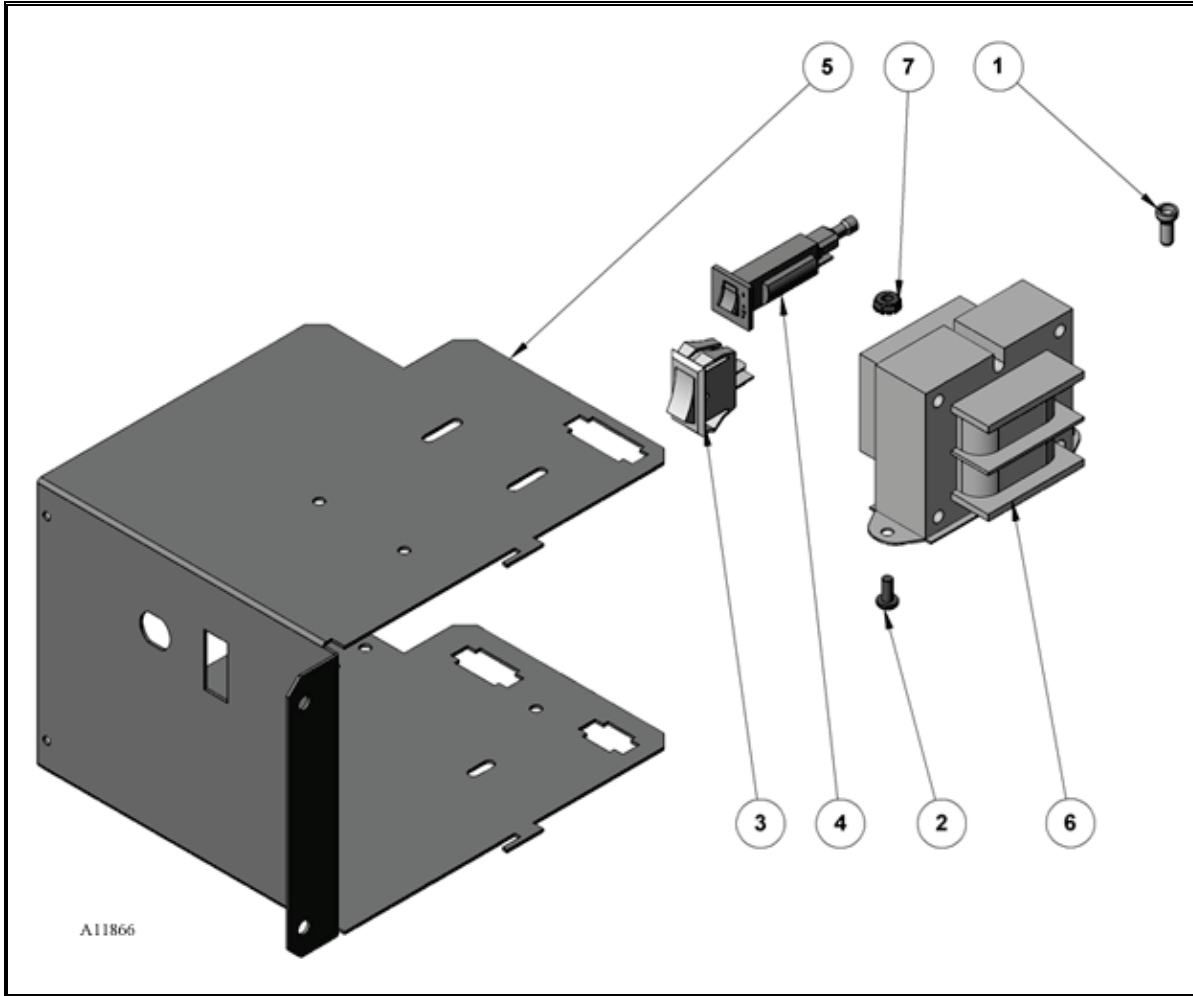
**NOTE:**

DELIVERY BOX USED ON MACHINES WITH G & M TRAY ASSEMBLY LISTED ON PAGES 21 & 22. MACHINES BUILT AFTER NOVEMBER 2009 – APPROXIMATE DATE – HAVE S/N OF MACHINE AVAILABLE WHEN ORDERING PARTS.

## DELIVERY BOX ASSEMBLY PARTS LIST

ITEM NO.	PART NUMBER	WS 4000	WS 5000	WS 7000	DESCRIPTION.
1	4218430.001	1	-	-	DELIVERY BOX WRAPPER
	4218411.001	-	1	1	DELIVERY BOX WRAPPER
2	4218432	1	-	-	BACK DELIVERY DEFLECTOR
	4218413	-	1	1	
3	4216759	1	-	-	BACK DELIVERY ANTI-CHEAT
	4216111	-	1	1	
4	4025263.001	3	3	3	TYPE #5 NYLINER 5/16 ID
5	1217978.001	1	1	1	DELIVERY LINKAGE STAKE
6	1217978.002	1	1	1	DELIVERY LINKAGE STAKE
7	4030100	2	2	2	BUSHING-SPACER
8	4050239	17	17	17	8-32X3/8 PHL PH TY-T
9	4050663	5	5	5	1/8X1/4 RIVET
10	4205329	2	2	2	ARROW CLIP
11	4216780	2	-	-	DELIVERY SHAFT (4W)
	4214105	-	2	2	DELIVERY SHAFT (5W)
12	4218507	1	1	1	SHOULDER WASHER
13	4216753	1	-	-	DELIVERY BOX BOTTOM WELD
	4216100	-	1	1	
14	4216755.001	1	-	-	DELIVERY DOOR W/STUDS
	4216108.001	-	1	1	
15	4216778	1	-	-	DELIVERY DOOR BRACE
	4216199	-	1	1	
16	4216757	1	-	-	DELIVERY FRONT DOOR ANTI-CHEAT
	4216229	-	1	1	
17	8324353	4	4	4	5/16 ID FLAT WASHER
18	8801080	2	2	2	E-RING, 5/16
19	4212464.011	1	1	-	DELIVERY SENSOR
	4212464.010	-	-	1	DELIVERY SENSOR
20	4214729	8	8	8	STANDOFF
21	4216313	2	2	2	CLAMP
22	4050511	2	2	2	8-32 NUT – TWO WAY LOCK
23	4218418	1	1	1	G & M LABEL (USED WITH G & M TRAY ASSEMBLY PAGES 21 & 22)
24	4218487	1	1	1	G & M PRICE LABEL (USED WITH G & M TRAY ASSEMBLY PAGES 21 & 22)

## POWER PANEL ASSEMBLY

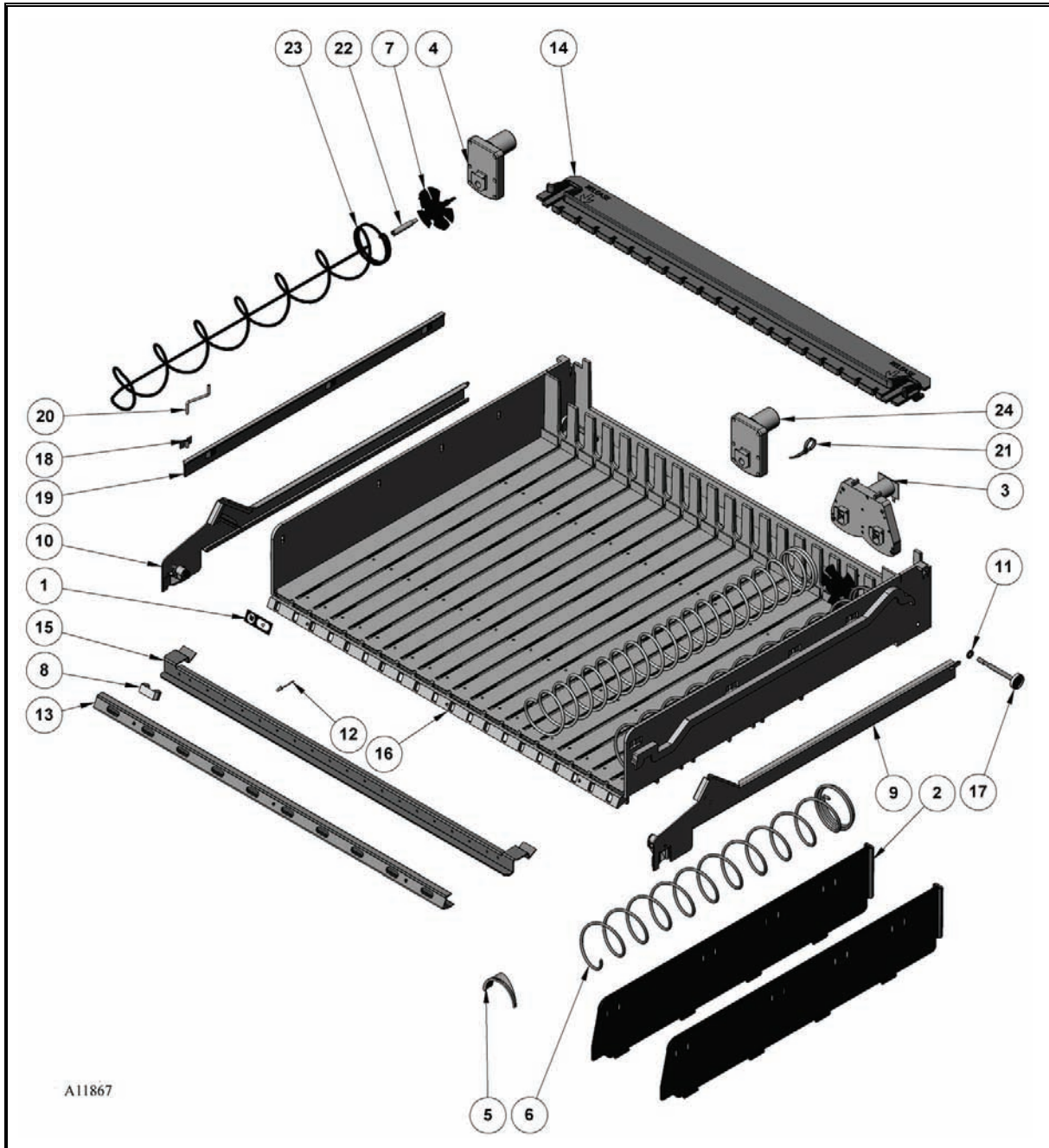


### POWER PANEL ASSEMBLY PARTS LIST

ITEM NO.	PART NUMBER	WS 3000	WS 4000	WS 5000	WS 7000	DESCRIPTION
1	4033505	2	2	2	2	CLOSED END SPLICE CAP #6
2	4050240	2	2	2	2	8-32 x 3/8 PHIL PH MS
3	4202088	1	1	1	1	SWITCH - ROCKER
4	4203467.003	1	1	1	1	3 AMP CIRCUIT BREAKER
5	4216153	1	1	1	1	POWER BOX
6	4216297	1	1	1	1	TRANSFORMER 110V
7	8800956	2	2	2	2	8-32 HEX NUT W / ETW



### 5W TRAY ASSEMBLY (WS5000 & WS7000)



A11867

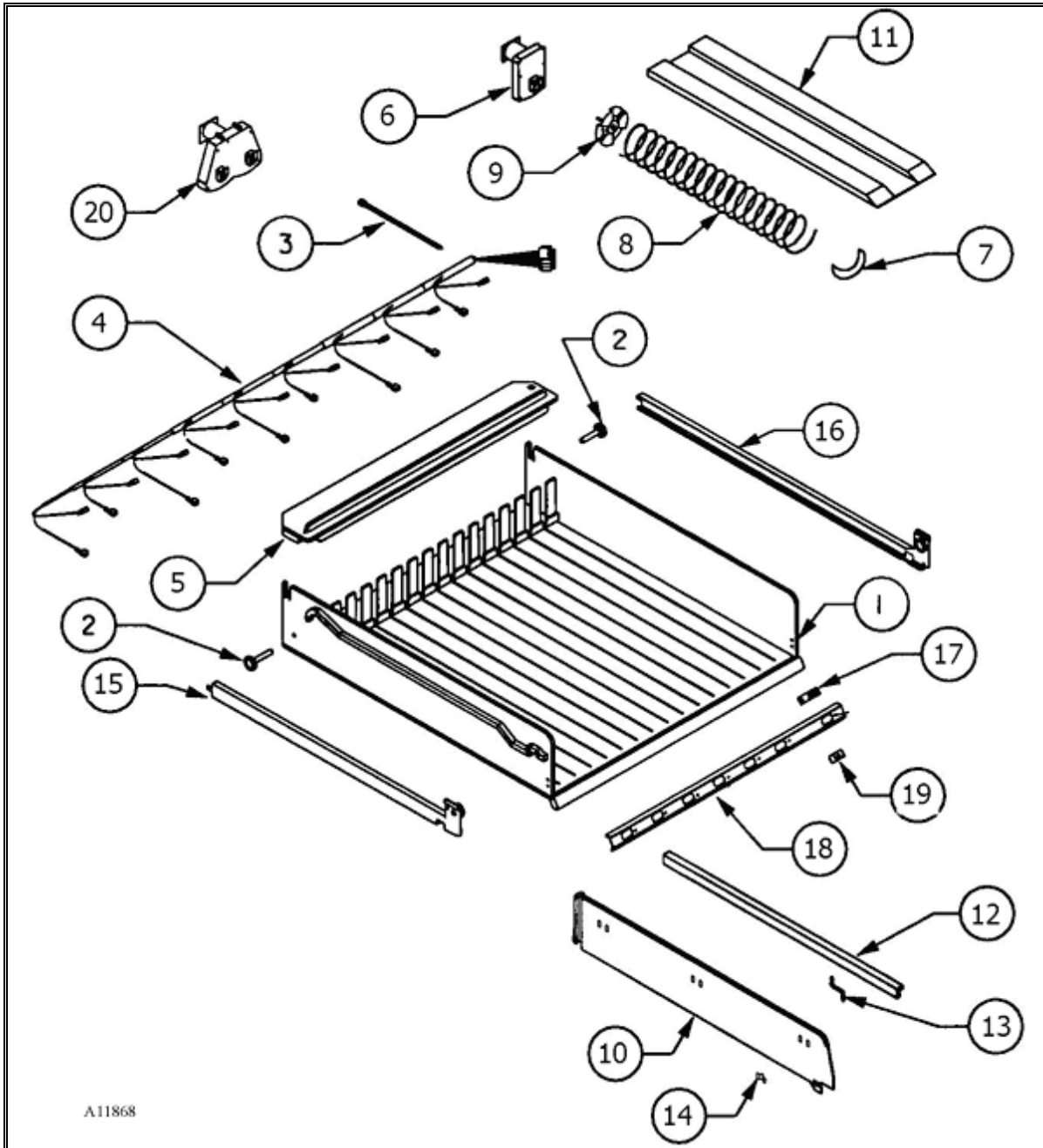
## 5W TRAY ASSEMBLY (WS5000 & WS7000) PARTS LIST

ITEM NO.	PART NUMBER	WS 5000	WS 7000	DESCRIPTION.
1	4213017.001	AR	AR	SELECTION SCROLL COVER/HR
2	4210732.001	AR	AR	DIVIDER
3	4205436	AR	AR	DUAL HELIX MOTOR (C)
4	4034388.001	-	AR	24 VDC MOTOR - 180 DEG
5	4025748	AR	AR	PRODUCT EJECTORS-CCW-BLACK
6	(SEE PAGE #23)	AR	AR	SPIRALS
7	4209502	AR	AR	AUGER COUPLING GRAY
8	(SEE PAGE #24)	AR	AR	PRICE SCROLL
9	1215925	AR	AR	RAIL ASSEMBLY LONG RIGHT
10	1215925.001	AR	AR	RAIL ASSEMBLY LONG LEFT
11	4203029	AR	AR	WASHER-INNER DOOR
12	4212631	AR	AR	AL / ST POLYGRIP RIVET
13	4210733.005	AR	AR	TRAY EXTRUSION 5W
14	4210731.005	AR	AR	MOTOR COVER -5W
15	4211371	AR	AR	TRAY BRACE
16	4210730.001	AR	AR	5W TRAY
17	4060670.009	AR	AR	ROLLER
18	4200281	AR	AR	SPRING CLIP
19	8370660.5	AR	AR	SPACER
20	8370998	AR	AR	SUPPORT-SPACER
21	4203509	AR	AR	CABLE TIE
22	4202698	AR	AR	G & M WIRE SHAFT RETAINER
23	(SEE PAGE #23)	AR	AR	SPIRALS
24	4034388	-	AR	24 VDC MOTOR - 360 DEG

### LIST OF THE PARTS NOT SHOWN

25	4203508.005	AR	AR	REPL – HA – TRAY HARNESS(5W)
----	-------------	----	----	------------------------------

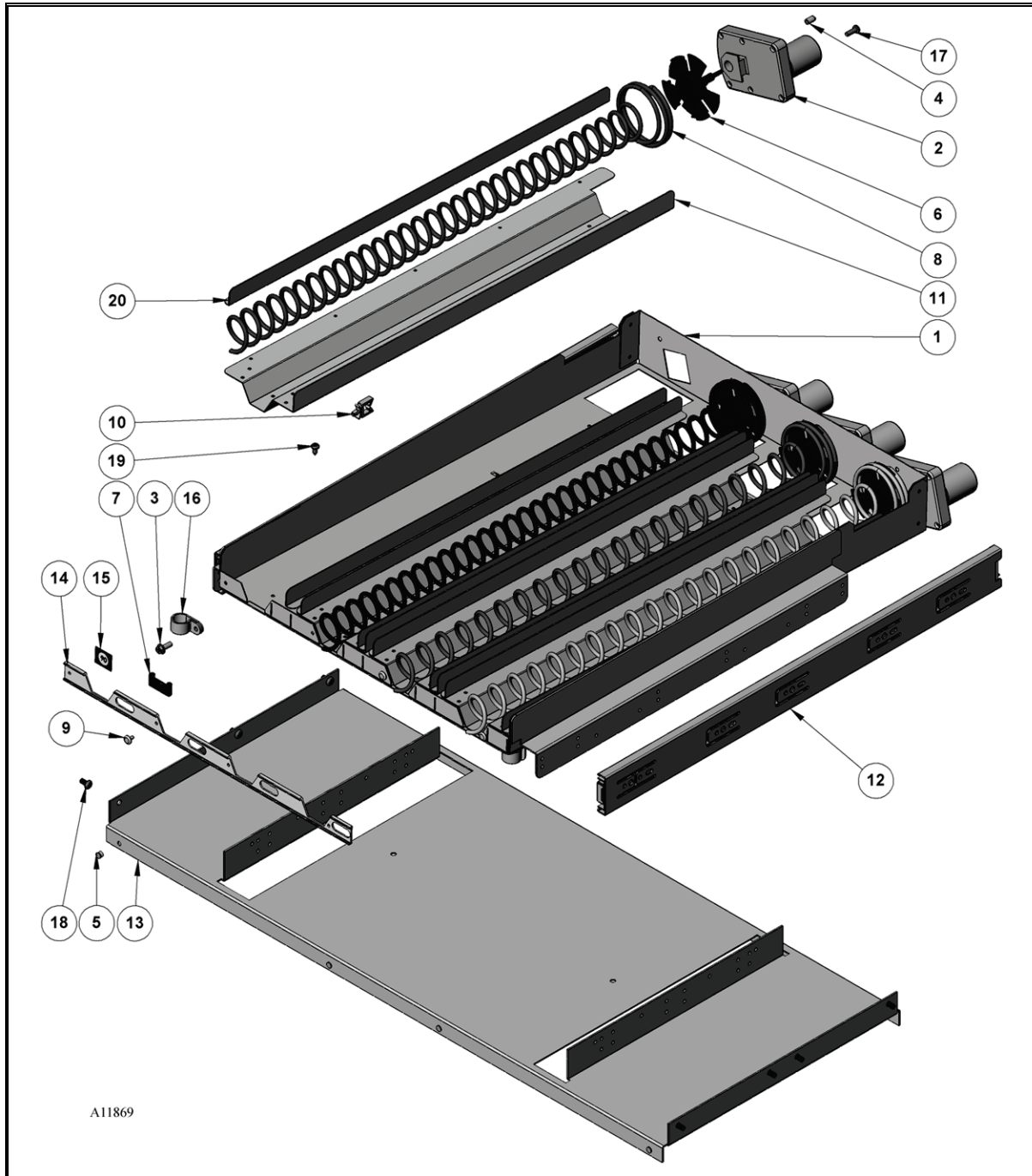
### 3W & 4W TRAY ASSEMBLY (WS3000 & WS4000)



### 3W & 4W TRAY ASSEMBLY (WS3000 & WS 4000) PARTS LIST

ITEM NO.	PART NUMBER	WS3000	WS4000	DESCRIPTION.
1	4203276	-	AR	PRODUCT TRAY-4W
	4203275	AR	-	PRODUCT TRAY-3W
2	4060670.004	AR	AR	ROLLER
3	4060485	AR	AR	TAG WIRES
4	4203508.004	-	AR	REPL-HA-TRAY HARNESS(4W)
	4203508.003	AR	-	REPL-HA-TRAY HARNESS(3W)
5	4203277.004	-	AR	MOTOR COVER(4W)
	4203277.003	AR	-	MOTOR COVER(3W)
6	4034388	AR	AR	24 VDC MOTOR – 360°
7	4025748	AR	AR	PRODUCT EJECTOR
8	<b>(SEE PAGE #23)</b>	AR	AR	SPIRALS
9	4209502	AR	AR	AUGER COUPLING
10	4025797	AR	AR	PRODUCT DIVIDER
11	4200340	AR	-	HELIX RETAINER
12	8370660.5	AR	AR	SPACER
13	8370998	AR	AR	SPACER SUPPORT
14	4200281	AR	AR	SPRING CLIP
15	1200321.002	AR	AR	RAIL ASSEMBLY LONG LEFT
16	1200321.003	AR	AR	RAIL ASSEMBLY LONG RIGHT
17	4213017.001	AR	AR	SELECTION SCROLL COVER/HR
18	4203229.003	AR	-	LABEL HOLDER
19	<b>(SEE PAGE #24)</b>	AR	AR	PRICE SCROLL
20	4205436	-	AR	DUAL HELIX MOTOR

## G & M TRAY ASSEMBLY



A11869

**NOTE:**

G & M TRAY USED ON MACHINES WITH DELIVERY BOX ASSEMBLY LISTED ON PAGES 10 & 11. MACHINES BUILT BEFORE NOVEMBER 2009 – APPROXIMATE DATE – HAVE S/N OF MACHINE AVAILABLE WHEN ORDERING PARTS.

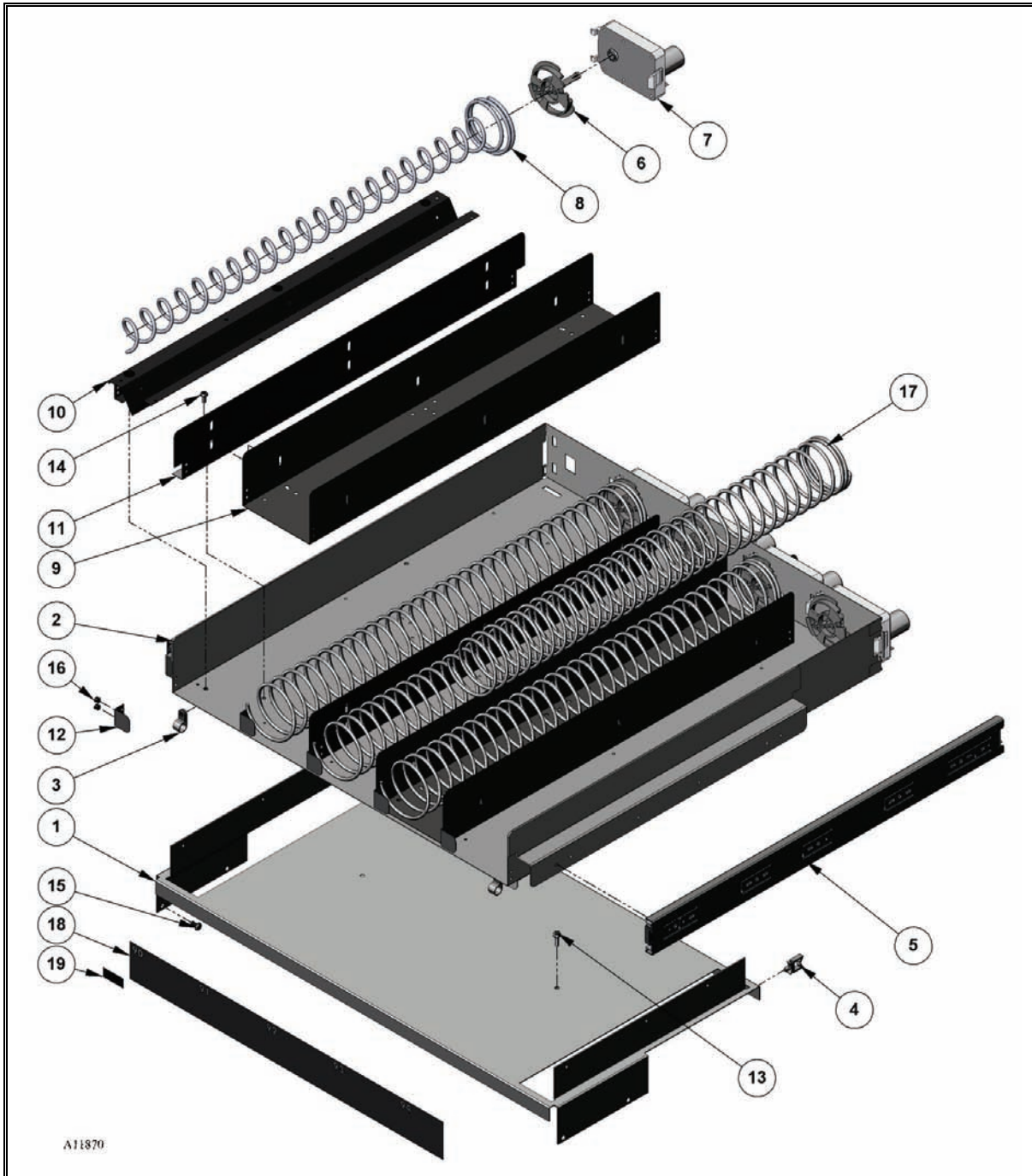
## G & M TRAY ASSEMBLY PARTS LIST

ITEM NO.	PART NUMBER	WS 3000	WS 4000	WS 5000	WS 7000	DESCRIPTION.
1	1217458	1	1	1	1	G & M TRAY WELD
2	4034388	4	4	4	4	24VDC MOTOR-360°
3	4050202	2	2	2	2	8-18X1/2 PHIL HWH TEK
4	4050548.001	4	4	4	4	SCREW COVER -BLACK
5	4050667	12	12	12	12	1/8X .250 ALLUMINIUM POP REVET
6	4209502	4	4	4	4	AUGER COUPLING GRAY
7	<b>(SEE PAGE #24)</b>	AR	AR	AR	AR	PRICE SCROLL .35
8	4213397.XXX	AR	AR	AR	AR	SPIRALS (SPECIFY SPIRAL COUNT)
9	4215561.015	4	4	4	4	SNAP RIVET/BLACK 1/8
10	4216313	3	3	3	3	CLAMP
11	4216498	4	4	4	4	G & M CHANNEL
12	4216499	2	2	2	2	DRAWER SLIDE
13	4216736	1	-	-	-	G & M SHELF (3W)
	4216735	-	1	-	-	G & M SHELF (4W)
	4216507	-	-	1	1	G & M SHELF
14	4216516	1	1	1	1	G & M LABEL HOLDER
15	4216680	AR	AR	AR	AR	G & M TRAY IDENTIFICATION LABEL SHEET
16	8324099.7	2	2	2	2	CLAMP – ½ X 5/8
17	8800636	8	8	8	8	8-18X1/2 PHIL PH TYPE
18	8800638	4	4	4	4	10-16X3/8 PHL PH TYPE
19	4050239	24	24	24	24	8-32X3/8 PHL PH TY-T
20	4216517	8	8	8	8	G & M SMALL PRODUCT SPACER

### LIST OF THE PARTS NOT SHOWN

21	4216301	1	1	1	1	G & M HARNESS
----	---------	---	---	---	---	---------------

## G & M TRAY ASSEMBLY (4W & 5W)



**NOTE:**

G & M TRAY USED ON MACHINES WITH DELIVERY BOX ASSEMBLY LISTED ON PAGES 12 & 13. MACHINES BUILT AFTER NOVEMBER 2009 – APPROXIMATE DATE – HAVE S/N OF MACHINE AVAILABLE WHEN ORDERING PARTS.

## G & M TRAY ASSEMBLY (4W & 5W) PARTS LIST

ITEM NO.	PART NUMBER	WS 4000	WS 5000	DESCRIPTION.
1	4218433	1	-	G & M SHELF (4W)
	4218414	-	1	G & M SHELF (5W)
2	1217951	1	1	G & M TRAY WELD
3	8324099.4	3	3	CLAMP - 3/8 X 3/8
4	4216313	2	2	CLAMP
5	4216499	2	2	DRAWER SLIDE
6	4216378	5	5	SPIRAL ADAPTER
7	4216379.004	5	5	MOTOR SNAP-IN 360 DEG
8	4213397.XXX	AR	AR	SPIRALS (SPECIFY SPIRAL COUNT)
9	4218419	2	2	G & M DIVIDER
10	4218422	1	1	G & M SPACER
11	4218443	5	5	G & M TRAY DIVIDER
12	4218423	5	5	G & M LABEL MOUNT
13	4050202	2	4	8-18X1/2 PHIL HWH TEK
14	4050239	24	24	8-32X3/8 PHL PH TY-T
15	8800638	4	4	10-16X3/8 PHL PH TYPE
16	4050667.001	10	10	1/8X.125 POP RIVET
17	4200272.XXX	AR	AR	SPIRALS (SPECIFY SPIRAL COUNT)
18	4218418	1	1	G & M LABEL (ATTACHED IN DELIVERY BOX)
19	4218487	1	1	G & M PRICE LABEL (ATTACHED IN DELIVERY BOX)

### LIST OF THE PARTS NOT SHOWN

20	4218429	1	1	G & M HARNESS
----	---------	---	---	---------------



## OPTIONAL SPIRALS

SINGLE SPIRAL - CCW PART NUMBER	DUAL SPIRAL - CW PART NUMBER	SPIRAL SIZE	SPIRAL COUNT	ESTIMATED PRODUCT SIZE INCHES (MM)
4200272.100309	4205532.100309	Candy	15	1.22 (31)
4200272.101309	4205532.101309	Candy	18	1.00 (25)
4200272.102309	4205532.102309	Candy	24	0.71 (18)
4200272.103309	4205532.103309	Candy	30	0.51 (13)
4200272.104309	4205532.104309	Candy	12	1.55 (39)
4200272.105309	4205532.105309	Candy	9	2.10 (53)
4200272.106309	4205532.106309	Candy	6	3.16 (80)
4200272.107309		Snack	10	1.89 (48)
4200272.108309		Snack	12	1.55 (39)
4200272.109309		Snack	15	1.22 (31)
4200272.110309		Snack	7	2.71 (69)
4200272.111309		Snack	8	2.37 (60)
4200272.131309	4205532.131309	Candy	10	1.89 (48)
4200272.132309	4205532.132309	Candy	11	1.72 (44)
4200272.133309		Snack	30	0.51 (13)
4200272.134309	4205532.134309	Snack	18	1.00 (25)
4200272.137309		Snack	11	1.72 (44)
4200272.138309		Snack	6	3.16 (80)
4200272.139309		Snack	5	3.50 (89)
4200272.140309		Snack	12	1.63 (41)
4200272.141309		Candy	29 1/2	0.52 (13)
4200272.142309	4205532.142309	Candy	8	2.37 (60)
4200272.145309	4205532.145309	Candy	5	3.50 (89)
4200272.147309	4205532.147309	Candy	4	4.38 (111)
4200272.148309	4205532.148309	Candy	3	5.80 (147)
4202313.100309		G&M	18/36	1.00 (25)
4202313.102309		G&M	24/48	0.71 (18)
4202313.103309		HiCap	30/60	0.50 (13)
4202313.104309		HiCap	24/48	0.71 (18)
4202313.105309		HiCap	18/36	1.00 (25)
4202313.106309		HiCap	15/30	1.22 (31)
4202313.107309		G&M	20/40	0.86 (22)
4202313.108309		HiCap	12/24	1.55 (39)

## OPTIONAL PRICE SCROLLS

PRICE SCROLL PART NUMBER	SCROLL PRICE RANGE	COUNTRY
4213143.001	FREE AND .35-1.00 (.05 increments)	USA
4213143.002	.05-.30 AND 1.05 to 1.45 (.05 increments)	USA
4213143.003	1.50 TO 2.20 (.05 increments)	USA
4213143.004	2.25 TO 2.95 (.05 increments)	USA
4213143.005	3.00 TO 3.70 (.05 increments)	USA
4213143.006	3.75 TO 4.45 (.05 increments)	USA
4213143.007	4.50 TO 5.20 (.05 increments)	USA
4213143.008	5.25 TO 5.95 (.05 increments)	USA
4213143.009	6.00 TO 6.70 (.05 increments)	USA
4213143.010	6.75 TO 7.45 (.05 increments)	USA
4213143.011	7.50 TO 8.20 (.05 increments)	USA
4213143.012	8.25 TO 8.95 (.05 increments)	USA
4213143.013	9.00 TO 9.70 (.05 increments)	USA
4213143.014	9.75 TO 10.45 (.05 increments)	USA
4213143.015	11.00 TO 25.00 (1.00 increments)	USA
4213143.016	30.00 TO 100.00 (5.00 increments)	USA
4213143.017	1.5 TO 8.5 (0.5 increments)	MEXICO
4213143.018	9.0 TO 16.0 (0.5 increments)	MEXICO
4213143.019	0.5 TO 1.0 AND 16.5 TO 22.5 (0.5 increments)	MEXICO
4213143.020	1.00 TO 2.40 (0.10 increments)	AUSTRALIA/NZ
4213143.021	2.50 TO 3.90 (0.10 increments)	AUSTRALIA/NZ
4213143.022	300 TO 1600 (100 increments)	VENEZUELA
4213143.023	1700 TO 3000 (100 increments)	VENEZUELA
4213143.024	3100 TO 4400 (100 increments)	VENEZUELA
4213143.025	4500 TO 5800 (100 increments)	VENEZUELA
4213143.026	5900 TO 7200 (100 increments)	VENEZUELA
4213143.027	7300 TO 8600 (100 increments)	VENEZUELA
4213143.028	4.00 TO 7.50 (.25 increments)	USA
4213143.029	7.75 TO 11.25 (.25 increments)	USA
4213143.030	.50 TO 4.00 (.25 increments)	USA

## NOTES

*The contents of this publication are presented for informational purposes only, and while every effort has been made to ensure their accuracy, they are not to be construed as warranties or guarantees, express or implied, regarding the products or services described herein or their use or applicability. We reserve the right to modify or improve the designs or specifications of such products at any time without notice.*



**VendNet™**  
165 North 10th Street  
Waukee, Iowa 50263  
United States of America



	USA & Canada	International
Service	<b>(800) 833-4411</b>	<b>(515) 274-3641</b>
Parts	<b>(888) 259-9965</b>	
Email	<b>vendnet@vendnetusa.com</b>	
Web Site	<b>www.vendnetusa.com</b>	