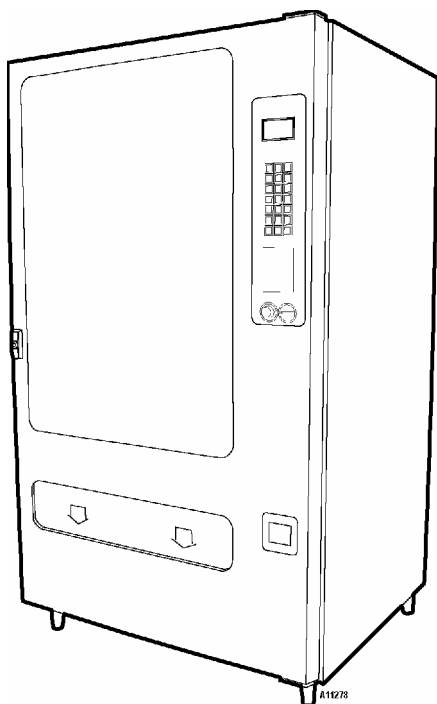




ROUND FRONT SNACK

AMBIENT & CHILLED



MODELS:

- 3186 - RFS-2120
- 3168 - RFS-3120R HL
- 3183 - RFS-3120
- 3197A - RFS-3110R

- 3169 - RFS-4120R HL
- 3184 - RFS-4120
- 3198A - RFS-4110R

- 3170 - RFS-5120R
- 3185 - RFS-5120
- 3199A - RFS-5110R

PARTS MANUAL

TABLE OF CONTENTS

ORDER INFORMATION	2
MINIMUM ORDER	2
PAYMENT	2
TO ORDER BY MAIL	2
TO ORDER BY FAX	2
TO ORDER BY PHONE	3
RETURNS	3
LIMITATION OF LIABILITY	3
FINAL ASSEMBLY	4
REFRIGERATION OPTION	7
CONDENSER ASSEMBLY	8
EVAPORATOR ASSEMBLY	9
EVAP CARD ASSEMBLY	9
CABINET PARTS	10
CABINET SUB-ASSEMBLY	15
CONTROLLER PARTS, 120 SELECT	16
CONTROLLER PARTS, 110 SELECT (SMIV)	17
POWER PANEL PARTS	18
TRAY PARTS	20
SPACER & STACKER PARTS	23
COMMON TRAY	24
COMMON SHELF	24
RAIL ASSEMBLY	26
CHILLED HR40 ENHANCEMENT KIT 220V	27
AIR CURTAIN PARTS	28
SPACER KIT	29
KICKER SERVICE KIT	30
DOOR PARTS	31
HIGH SECURITY PARTS	38
DELIVERY BOX ASSEMBLY, 2 WIDE	39
DELIVERY BOX ASSEMBLY, NON- IVEND™	40
DELIVERY BOX ASSEMBLY, IVEND™	41
DELIVERY BOTTOM ASSEMBLY	43
LIGHT ASSEMBLY, AMBIENT	44
LIGHT ASSEMBLY, REFRIGERATED	45
INSTRUCTION INSERT	46
MECH MOUNT RIVET ASSEMBLY, HONOR GUARD	47
COIN RETURN LEVER MECHANISM	48
SERVICE PACKAGE	49

ORDER INFORMATION

You may order parts from your distributor or from VendNet™. If you have any questions when placing your order, please call and we'll be happy to assist you. Please provide the following information when placing your order:

- Quantity Required
- Part Number
- Description of part

NOTE:

When "Right" and "Left" are used with a part name, it is taken to mean that the person is facing the machine with the door closed.

- Vendor Model Number
- Vendor Serial Number
- Shipping and Billing Address
- Preferred Method of Shipment
- Customer Account Number

MINIMUM ORDER

You may wish to inquire on prices of parts and minimum order amount at the time of your order. If you order less than the minimum, please check our catalog for other parts you may require to bring your order up to the minimum amount.

VendNet™ reserves the right to change these requirements without notice.

PAYMENT

OPEN ACCOUNT with approved credit. MASTER CARD – VISA – DISCOVER – C.O.D.

TO ORDER BY MAIL

You may mail your order for replacement parts by providing the necessary information as requested above to:

VendNet™
165 North 10th Street
Waukee, Iowa 50263
USA

Order forms are available upon request or you may use your own purchase order form.

TO ORDER BY FAX

You may Fax your order for replacement parts by providing the necessary information as requested above to:

VendNet™
1-515-987-4447

TO ORDER BY PHONE

You may call in your order for replacement parts by providing the necessary information as requested above to VendNet™ Parts Department.

USA*1-888-259-9965

Canada*1-800-858-4730

Other locations*1-515-274-3641

RETURNS

RESTOCKING CHARGE 20%. A restocking charge of 20% will apply to merchandise accepted by VendNet™ for return, except items processed as warranty.

A Return Form clearly stating the reason for return must accompany all items returned. Returns are to be shipped freight prepaid to VendNet™, 165 North 10th Street, Waukee, Iowa 50263. Return Forms are available upon request from VendNet™.

LIMITATION OF LIABILITY

VendNet™ shall not be liable for any injury, loss or damage, whether direct, incidental or consequential arising out of the use of or the inability to use any part, parts or products sold by VendNet™. The remedies of the buyer set forth herein are exclusive, and the liability of VendNet™. With respect to any contract or sale or anything done in connection herewith, whether in contract, in tort, under any warranty, or otherwise, shall not, except as expressly provided herein, exceed the price of the part, parts or products on which such liability is based. Any statements or representations about the parts or product, other than those contained herein, do not constitute warranties and shall not be relied on by the buyer and shall have no force of effect unless contained in a written agreement signed by officers of VendNet™.

If you have any questions, check out our website

<http://www.vendnetusa.com>

or please call Vendnet™.

Ask for the Parts Department.

We will be happy to assist you.

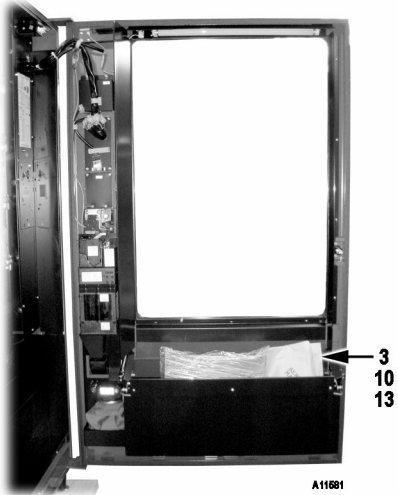
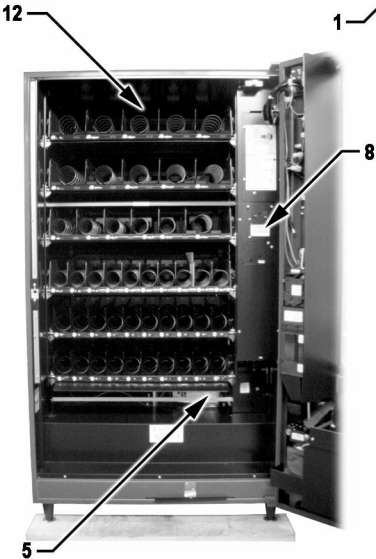
Email: vendnet@vendnetusa.com

FINAL ASSEMBLY



NOT SHOWN

- 6 18**
- 11 19**
- 14 20**
- 15 21**
- 16 22**
- 17**



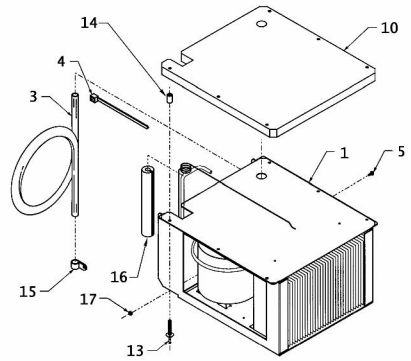
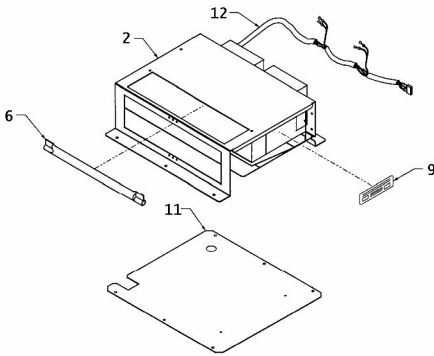
A11681

FINAL ASSEMBLY PARTS

ITEM	PART NUMBER	2W	3W	4W	5W	DESCRIPTION
		REF	-	-	-	RFS-2120
		-	REF	-	-	RFS-3110R/3120/3120R
		-	-	REF	-	RFS-4110R/4120/4120R
		-	-	-	REF	RFS-5110R/5120/5120R
1	1212060.001301	-	-	1	1	Lower Hinge Stake, Red
	1212060.001305	1	1	1	1	Lower Hinge Stake, Light Gray
	1212060.001306	-	1	1	-	Lower Hinge Stake, White
	1212060.001309	-	1	1	1	Lower Hinge Stake, Flat Black
	1212060.001311	-	-	-	1	Lower Hinge Stake, F. Blue
	1212060.001312	-	1	-	-	Lower Hinge Stake, UL KK Red
	1212060.001313	-	1	-	-	Lower Hinge Stake, Cream
	1212060.001322	-	1	1	1	Lower Hinge Stake, P. Blue
	1212060.001324	-	-	1	-	Lower Hinge Stake, P. Gray
	1212060.001330	1	1	1	1	Lower Hinge Stake, Wrinkle Black
	1212060.001335	-	1	-	1	Lower Hinge Stake, Pantone Blue
2	1212060.002301	-	1	1	1	Upper Hinge Stake, Red
	1212060.002305	1	1	1	-	Upper Hinge Stake, Light Gray
	1212060.002306	-	1	1	-	Upper Hinge Stake, White
	1212060.002309	-	1	1	1	Upper Hinge Stake, Flat Black
	1212060.002311	-	-	-	1	Upper Hinge Stake, F. Blue
	1212060.002312	-	1	-	-	Upper Hinge Stake, UL KK Red
	1212060.002313	-	1	-	-	Upper Hinge Stake, Cream
	1212060.002322	-	1	1	1	Upper Hinge Stake, P. Blue
	1212060.002324	-	-	1	-	Upper Hinge Stake, P. Gray
	1212060.002330	1	1	1	1	Upper Hinge Stake, Wrinkle Black
	1212060.002335	-	1	-	1	Upper Hinge Stake, Pantone Blue
3	See page 49	1	1	1	1	Service Package
4	4060328	-	1	-	-	Lock, Cylinder w/2 Keys
	4060710	-	1	-	-	Lock, Cam Lock w/2 Keys
	4212664	-	1	-	-	Lock Cam
	4060330	1	1	1	1	Lock, Cylinder w/2 Keys
	4060330.021	-	-	1	1	Lock, Cylinder BO600 w/2 Keys
	4209699	-	1	1	1	Lock, Van STD Comb 4275S
	4209699.001	-	1	1	1	Key, Van Lock K5 STD
	4209699.003	-	-	1	-	Lock, Van STD Comb 4275V
	4209699.009	-	1	-	-	Lock, Van Port. Series
	4209699.010	-	1	-	-	Key, Van Lock Port. Series
	7202038.993	-	1	-	-	Lock & 2 Key 88300
	7202038.998	1	1	1	-	Lock & Key, 80000 Series
	7202038.995	-	1	1	-	Lock & 2 Keys, 91000 S
	4213190.XXX	-	1	-	1	Lock, Plug KeSet™
	4213190.XXX	-	1	-	1	Key, Plug KeSet™
	4213190.XXX	-	1	-	1	Key, Route KeSet™
5	See page 7	-	-	1	1	Refrigeration Option
6	See page 26	-	-	-	1	Kit, Chilled HR40 Enhancement
7	See page 31	1	1	1	1	Door Parts
8	See page 18	1	1	1	1	Power Assembly, 115V
9	See page 10	1	1	1	1	Cabinet Parts
10	See page 29	1	1	1	1	Spacer Kit
11	4200032.000	1	1	1	1	Label, Made In USA
12	See page 20	1	1	1	1	Tray Parts
13	See page 30	1	1	1	1	Kicker Service Kit

ITEM	PART NUMBER	2W	3W	4W	5W	DESCRIPTION
14	4205044.254	1	-	-	-	Serial Plate, RFS-2120 (Model 3186)
	4205044.285	-	1	-	-	Serial Plate, RFS-3110R (Model 3197A)
	4205044.229	-	1	-	-	Serial Plate, RFS-3120R (Model 3168)
	4205044.230	-	-	1	-	Serial Plate, RFS-4120R (Model 3169)
	4205044.286	-	-	1	-	Serial Plate, RFS-4110R (Model 3198A)
	4205044.231	-	-	-	1	Serial Plate, RFS-5120R (Model 3170)
	4205044.287	-	-	-	1	Serial Plate, RFS-5110R (Model 3199A)
	4205044.248	-	1	-	-	Serial Plate, RFS 3120 (Model 3183)
	4205044.249	-	-	1	-	Serial Plate, RFS-4120 (Model 3184)
	4205044.250	-	-	-	1	Serial Plate, RFS-5120 (Model 3185)
15	4060638	1	1	1	2	Plastic Bag, Keys (not shown)
16	8810013	-	3	3	3	Bolt, 5/16-18x1 Carriage Head
	4050099	3	3	-	3	Bolt, 5/16-18x3/4 Carriage Head
17	4033704	1	1	1	1	Cable Tie
18	8810015	3	3	3	3	Nut, 5/16-18 Flange Lock
	4050066	-	3	-	-	Nut, 5/16-18 Hex
19	8810014	1	1	1	1	Screw, 12-14x1/2 Phillips Truss Head
	8801388	3	3	3	3	Screw, 5/16-18x3/4 Hex Washer Head
20	4060485	-	1	1	1	Tag Wires (not shown)
21	4201375	1	1	1	1	Warning Tag, Grounding (not shown)
22	4050767	1	2	2	1	Washer, 3/8 Flat (not shown)

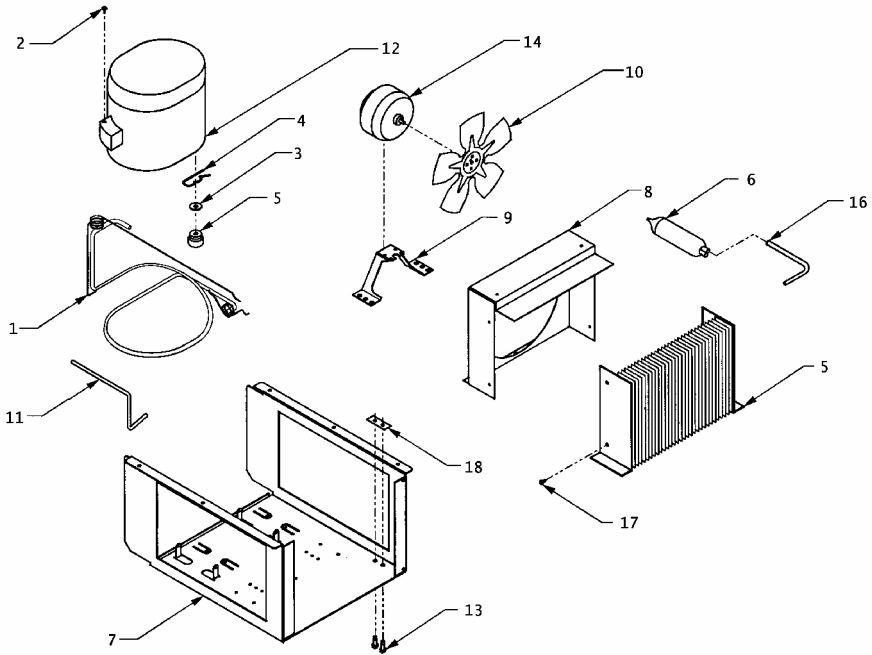
REFRIGERATION OPTION



A11282

ITEM	PART NUMBER	QTY	QTY	DESCRIPTION
	1214414.001	1	-	Refrigeration Option, 115V
	1214414	-	1	Refrigeration Option, 230V
1	See page 8	1	-	Condenser Assembly, 115V
	See page 8	-	1	Condenser Assembly, 230V
2	See page 9	1	-	Evaporator Assembly, 115V
	See page 9	-	1	Evaporator Assembly, 230V
3	4025410.500	1.83	2.08	Tubing, Mayon Raw (FT)
4	4033712	2	2	Cable Tie, 7-3/8"
5	4050239	2	2	Screw, 8-32x3/8 Phillips Pan Head
6	4060480.002	1	1	Accumulator
7	4201709	.5	.5	Solder, Safe Sil 15% (OZ)
8	4205470	.369	.369	Refrigerant, R-134A (LB)
9	4205507.305	-	1	Serial Label, Refrigeration 230V
9	4205507.306	1	-	Serial Label, Refrigeration 115V
10	4208269	1	1	Insulation, Refrigeration 1"x15"x16.188"
11	4208428	1	1	Condenser Top
12	4208465	1	1	Refrigeration Harness
13	4208701	6	6	Anchor Rivet
14	4208724	6	6	Standoff
15	8324099.7	2	2	Clamp, 1/2x5/8
16	8365271.500	.75	.75	Insulation (FT)
17	8800956	2	2	Nut, 8-32 Hex, w/External Lock Washer
18				

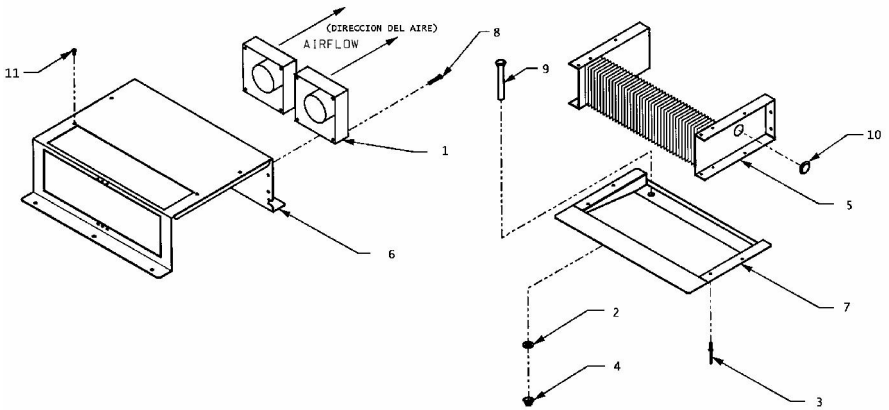
CONDENSER ASSEMBLY



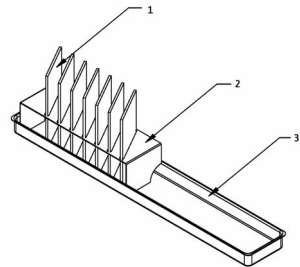
A11283

ITEM	PART NUMBER	QTY	QTY	DESCRIPTION
	1214415	1	-	Condenser Assembly, Tecumseh 230V
	1214415.002	-	1	Condenser Assembly, 115V (Pan, Matsushita)
1	1214434	1	1	Suction Line Parts
2	4050239	1	1	Screw, 8-32x3/8 Phillips Pan Head
3	4050608	4	4	Washer, 1/2 Flat
4	4050773.000	4	4	Hitch Pin, #17 Open
5	4203686	1	1	Condenser Coil
6	4205468	1	1	Drier-Bonded Core .108
7	4208267	1	1	Condensor Mount
8	4208275	1	1	Fan Shroud
9	4208445.001	1	1	Condensor Fan Bracket
10	4208446	1	1	Fan Blade, 8.25X3
11	4208531	1	1	Discharge Line
12	4212283	-	1	Compressor, Matsushita
	4205471	1	-	Compressor, 1/3HP 134-220
13	7332393.000	1	1	Screw, 1/4-20x3/8 Slotted Hex Head Machine
14	7332418.000	-	1	Motor, 5 Watt Condensor Fan
	7332418.001	1	-	Motor, 5 Watt 230V 50Hz
15	8323090.1	1	-	Grommet, Compressor
16	8801180.003	1	1	Copper Tubing, 1/4x6
17	8801204	1	1	Screw, 10-16x3/8 Phillips Truss Head
18	8916923	1	1	Nut, 1/4-20 Twin Spring

EVAPORATOR ASSEMBLY



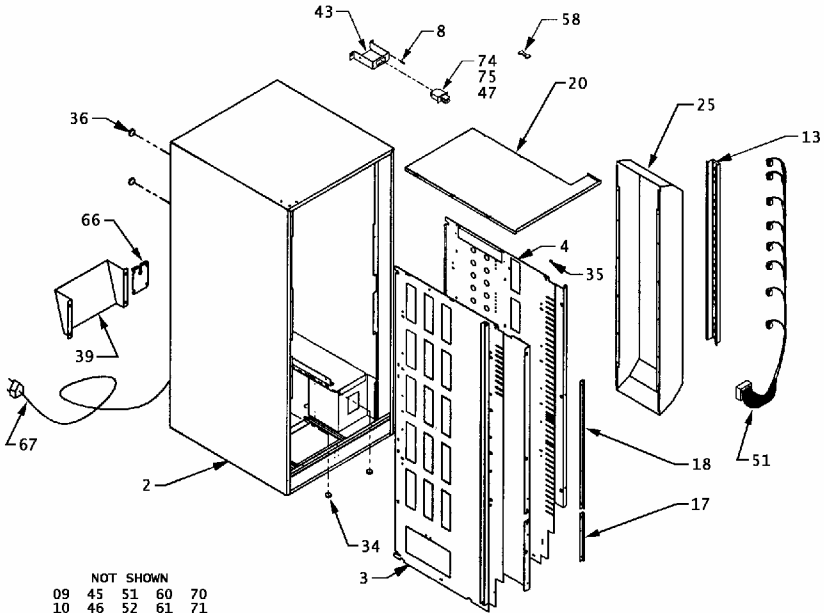
ITEM	PART NUMBER	QTY	QTY	DESCRIPTION
	1214416.001	1	-	Evaporator Assembly, 115V
	1214416	-	1	Evaporator Assembly, 230V
1	4034344.000	2	-	Evaporator Fan, 115V
	4034344.001	-	2	Evaporator Fan, 230V
2	4050608	1	1	Washer, 1/2 Flat
3	4050663	4	4	Rivet, 1/8x1/4
4	4202284	2	2	Push Nut, .500 Stud Dia
5	4206047.001	1	1	Evaporator
6	4208266	1	1	Evaporator Mount
7	4208268	1	1	Drain Pan
8	4210601	8	8	Screw, 8-18x2 Phillips Pan Head, Type AB
9	7100042.000	1	1	Drain Tube
10	7250135.003	1	1	Hole Plug, BPF-3
11	8801204	8	8	Screw, 10-16x3/8 Phillips Truss Head



EVAP CARD ASSEMBLY

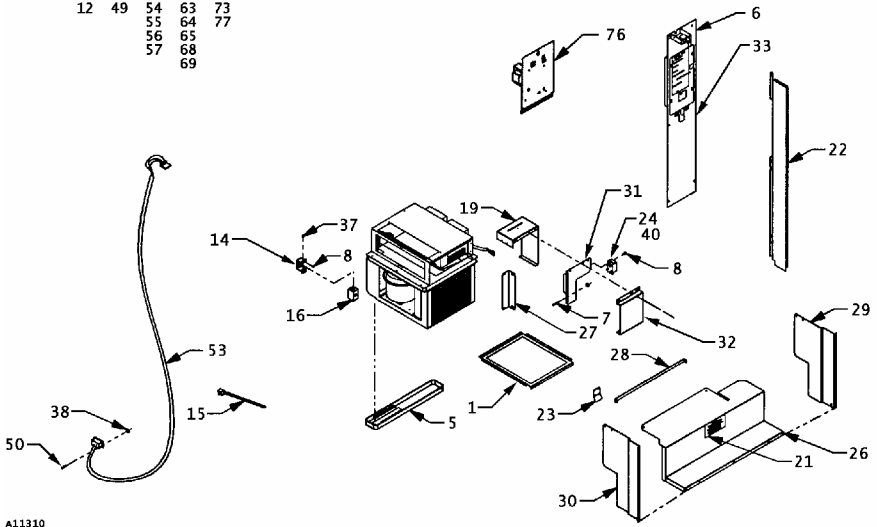
ITEM	PART NUMBER	QTY	DESCRIPTION
	1216290	1	Evap Card Assembly, Long Pan
1	4212661	7	Condensate Evaporate Card
2	4212748	1	Evaporate Holder
3	7200623.000	1	Drain Pan

CABINET PARTS



NOT SHOWN

09	45	51	60	70
10	46	52	61	71
11	48	53	62	72
12	49	54	63	73
		55	64	77
		56	65	
		57	68	
			69	



A11310

CABINET PARTS

ITEM	PART NUMBER	2W	3W	4W	5W	DESCRIPTION
		REF	-	-	-	Cabinet Parts, 2120
		-	REF	-	-	Cabinet Parts, 3120 3120R VL HL Spanish Exec 220V
		-	-	REF	-	Cabinet Parts, 4120 4120 VL HL 220V
		-	-	-	REF	Cabinet Parts, 5120 5120R HL Spanish
1	1215154.001330	-	1	1	1	Screen Cover Weld, Wrinkle Black
	1212329.001330	-	1	1	1	Screen Weld, Wrinkle Black
2	1214596.003	-	1	-	-	Insulation Installation Assembly, 3W
	1214596.004	-	-	1	-	Insulation Installation Assembly, 4W
	1214596.005	-	-	-	1	Insulation Installation Assembly, 5W
3	1214455.001330	-	1	1	1	Left Panel Weld, Wrinkle Black
	1214489.000330	-	1	1	-	Left Panel Weld, Wrinkle Black
	1216011.000330	-	-	-	1	Left Panel Weld, Wrinkle Black
	1216280.000330	-	1	1	1	Left Panel Weld, Wrinkle Black
	4209073.001330	1	-	-	-	Left Side Panel CRS, Wrinkle Black
4	1216012.000330	-	-	-	1	Right Panel Weld, RSPN Wrinkle Black
	1216150.000330	-	1	1	1	Right Panel Weld, Wrinkle Black
	1216281.000330	-	1	1	1	Right Panel Weld, Wrinkle Black
	4209074.001330	1	-	-	-	Right Side Panel CRS, Wrinkle Black
	4207924.001330	-	1	1	1	Right Side Panel, Wrinkle Black
5	See page 9	-	-	1	1	Evap Card Assembly (Refrigeration Option Only)
6	See page 17	-	1	1	1	Controller Parts, 110 Select (SMIV)
	See page 16	1	1	1	1	Controller Parts, 120 Select (SM6)
7	4050149	-	1	1	1	Screw, 6-32x1 Phillips Round Hd
8	4050423	20	71	71	71	Screw, 8-18x3/8 Phillips Pan Head, Type A
9	4050513	-	1	1	1	Nut, 8-32 Twin Whiz Lock
10	4050585	2	2	2	2	Washer, #8 External Tooth Lock
11	4050767	-	1	1	1	Washer, 3/8 Nylon Flat
12	4202418	-	3	3	3	Label, Earthing
13	4203143	-	1	1	1	Tray Receptacle
14	4203255	1	1	1	1	Nut Mount Bracket
15	4203509	1	2	2	2	Cable Tie
16	4203634	1	1	1	1	Split Nut Assembly
17	4203645	1	1	1	1	Anti-Cheat, Short
18	4203645.001	1	1	1	1	Anti-Cheat, Long
19	4203985.001330	-	1	1	1	Ballast Support, Wrinkle Black
20	4203998.000330	-	1	-	-	Cover, Top Foam, 3W Wrinkle Black
	4203998.001330	-	-	1	-	Cover, Top Foam, 4W Wrinkle Black
	4203998.002309	-	-	-	1	Cover, Top Foam, 5W Flat Black
21	4205119	-	1	1	1	Label, Anti Storage
22	4205300.001330	-	1	1	1	Upper Cover, Right, Wrinkle Black
23	4205542	-	1	1	1	Spring
24	4206643	-	1	1	1	Relay, DPST 24VAC/DC30A
25	4208281	-	1	1	1	Air Duct
26	4208429.000330	-	1	-	-	Bottom Foam Cover, 3W Wrinkle Black
	4208429.001330	-	-	1	-	Bottom Foam Cover, 4W Wrinkle Black
	4208429.002330	-	-	-	1	Bottom Foam Cover, 5W Wrinkle Black
27	4208442	-	2	2	2	Refer Bracket
28	4208451.003	-	1	-	-	Anti Storage Bracket, 3W
	4208451.004	-	-	1	-	Anti Storage Bracket, 4W
	4208451.005	-	-	-	1	Anti Storage Bracket, 5W
29	4208472.002330	-	1	1	1	Lower Cover Right, Wrinkle Black
30	4208472.003330	-	1	1	1	Lower Cover Left, Wrinkle Black

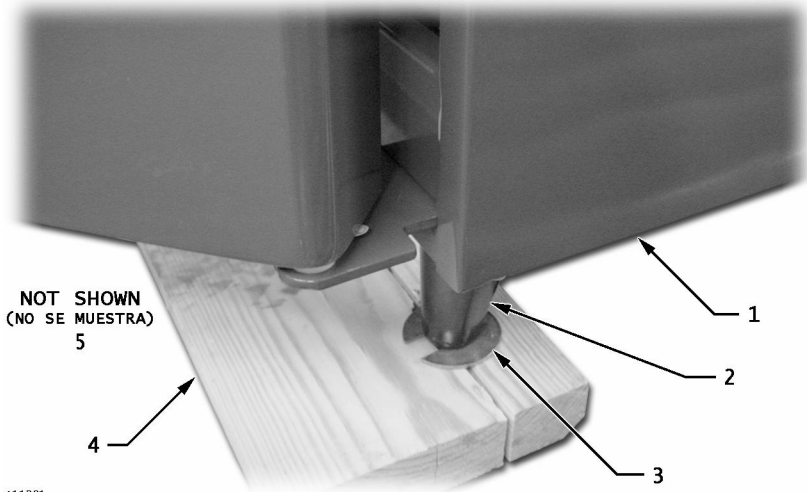
CABINET PARTS

ITEM	PART NUMBER	2W	3W	4W	5W	DESCRIPTION
31	4208478	-	1	1	1	Relay Bracket
32	4208479.001330	-	1	1	1	Relay Cover, Wrinkle Black
33	4210029.001330	-	1	1	1	Control Panel, 120 Wrinkle Black
	4210413.001309	1	-	-	-	Control Panel, Flat Black
	4212326.000330	-	1	1	1	Control Panel, Wrinkle Black
	4211853.000330	-	1	1	1	Control Panel, Wrinkle Black (Refrigeration Option)
34	7250135.000	-	2	2	2	Hole Plug, BP-1-3/8
35	7250135.001	3	3	3	3	Hole Plug, BPF-1/2
36	7250135.007	2	2	2	2	Hole Plug, BP-2-1/4
37	8800636	6	-	-	-	Screw, 8-18X1/2 Phillips Pan Head
38	8800955	-	3	1	1	Nut, 6-32 Hex w/External Lock Washer
39	4208506	-	1	1	1	Air Deflector
40	1216357	-	1	1	1	Arc Suppressor Snubber 115V
	1216357.001	-	1	1	1	Arc Suppressor Snubber 220V
41	4209271.001330	1	-	-	-	Back Rail Support, Wrinkle Black
42	See page 15	1	1	1	1	Cabinet Sub-Assembly
43	4203591	-	1	1	1	Door Switch Mount
	4205108.001330	-	1	1	1	Door Switch Mount, Wrinkle Black
44	4202256	-	-	5	-	Edge Guard (FT)
	4206469	.8	.8	.8	-	Edge Guard (FT)
45	1214837	-	1	1	-	Fan Bracket Weld
46	4209715.001330	-	1	1	-	Fan Cover, Wrinkle Black
47	4209021	-	1	1	1	Harness, Door Switch
48	4209292	-	1	1	1	Harness, DS1821 Refrigeration Control (120 Select)
	4209292.001	-	-	1	-	Harness, DS1821 Refrigeration Control (SMIV)
49	4212241	1	1	1	1	Harness, Extension Cable
50	4209710	-	1	1	-	Harness, Fan
51	4210144	1	1	1	1	Harness, Main (120S)
	4205090	-	1	1	-	Harness, Main 8 Plug
52	4211957	-	1	1	1	Harness, MDB Power
53	4210028	1	1	1	-	Harness, Power
	4212168	-	1	1	-	Harness, Power
	4213972	-	1	1	1	Harness, Power (SMIV)
54	4206782	-	1	1	-	Harness, Temp Sensor
	4210655.001	-	1	1	1	Harness, Temp Sensor
55	4210499	-	-	2	2	Hole Plug, 1-3/8 Metal
56	4210499.001	-	-	2	1	Hole Plug, 2-1/4 Metal
57	7250135.003	-	8	8	8	Hole Plug, BPF-3/4 [4120]
58	4203640	-	1	1	1	Interlock Cheat
60	4202970	-	1	1	-	Label, Cold Control (Remove By Authorized Personnel Only)
61	4209439	1	1	1	1	Label, Power Cord (Test For Proper Ground)
62	4202156	1	1	1	1	Label, Shipping Bracket (Remove When Placing On Location)
63	4212224	-	1	1	1	Lock Nut Bracket
64	4212644.000330	-	1	1	1	Lock Reinforcement, Wrinkle Black
65	4060116	-	1	-	-	Plastic Wire Clamp
66	4209122	-	1	1	-	Plate, Cord
	4210798	-	1	1	1	Plate, Power Cable
67	4212242	1	1	1	1	Power Cable
	4213185.003	1	1	1	1	Power Cable, Australia/New Zealand
	4213185	-	1	1	1	Power Cable, Domestic
	4213185.002	-	1	1	1	Power Cable, Euro
	4213185.004	-	1	1	-	Power Cable, S. Africa/India
	4213185.001	-	1	1	1	Power Cable, UK

CABINET PARTS

ITEM	PART NUMBER	2W	3W	4W	5W	DESCRIPTION
68	4212312	-	1	1	1	RFI Filter
	4203730.003	1	1	1	1	RFI Filter, RFS
69	4050548.001	6	-	-	-	Screw Cover, Black
70	8800638	2	2	2	2	Screw, 10-16x3/8 Phillips Pan Hd
	4050113	-	2	-	-	Screw, 6-32x1/2 Phillips Pan Head
	4050202	-	71	36	2	Screw, 8-18X1/2 Phillips Hex Washer Head
	4050240	-	2	-	-	Screw, 8-32x3/8 Phillips Pan Head
71	4210116	1	-	-	-	Shipping Bracket, 2 Wide
	4203692.003	-	1	-	-	Shipping Bracket, 3 Wide
	4203692.004	-	-	1	-	Shipping Bracket, 4 Wide
	4203692.005	-	-	-	1	Shipping Bracket, 5 Wide
	4212234.005330	-	-	-	1	Shipping Bracket, 5 Wide Wrinkle Black
72	4203468	-	6	-	-	Snap-In Clip
73	4206879	-	-	4	-	Standoff, 3/8" Board"
74	4203639	-	1	1	1	Switch, Door Interlock
75	4034309	-	1	1	-	Switch, DPDT Momentary Push
76	See page 18	1	1	1	1	Power Panel Parts
77	4200238	1	-	-	-	Self-Adhesive Feet

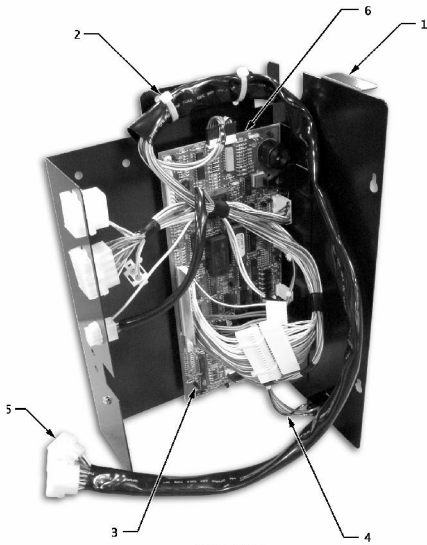
CABINET SUB-ASSEMBLY



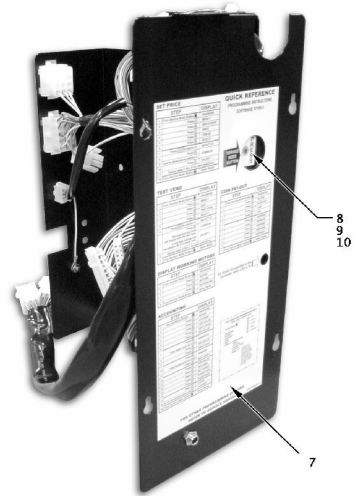
A11301

ITEM	PART NUMBER	2W	3W	4W	5W	DESCRIPTION
		REF	-	-	-	Cabinet Sub-Assembly, RFS 2120
		-	REF	-	-	Cabinet Sub-Assembly, RFS 3110 3110R 3120 3120R
		-	-	REF	-	Cabinet Sub-Assembly, RFS 4110 4110R 4120 4120R
		-	-	-	REF	Cabinet Sub-Assembly, RFS 5120 5120R
1	1214612.001	1	-	-	-	Cabinet Weld, 2120 Raw
	1211432.007	-	1	-	-	Cabinet Weld, 3120 Raw
	1214410	-	1	-	-	Cabinet Weld, 3110R 3120R VL Raw
	1214842.001	-	1	-	-	Cabinet Weld, 3120 Raw
	1214410.013	-	1	-	-	Cabinet Weld, 3120R HL Raw
	1214480.006	-	1	-	-	Cabinet Weld, 3110 3120 Raw
	1211432.002	-	-	1	-	Cabinet Weld, 4120 Raw
	1214410.001	-	-	1	-	Cabinet Weld, 4110R 4120R VL HL Raw
	1214480.007	-	-	1	-	Cabinet Weld, 4110 4120 Raw
	1214410.014	-	-	1	-	Cabinet Weld, 4120R Raw CRS
	1214410.015	-	-	-	1	Cabinet Weld, 5120R HL/CB Raw
	1211432.000	-	-	-	1	Cabinet Weld, 5120 Raw
2	1214704.002	-	4	4	4	Leg Assembly, 4"
3	4009927	8	8	8	8	Washer, 5/8 Slotted Leg Leveler
4	4060310	4	-	-	-	Leg Leveler
5	4205593.001309	-	4	4	4	Leg Spacer, Flat Black
6	4210639	2	-	-	-	Breakaway Skid, 2W
	4208833.003	-	2	-	-	Skid Board, 3W
	4208833.004	-	-	2	-	Skid Board, 4W
	4208833.005	-	-	-	2	Skid Board, 5W
7	4212506	1	-	-	-	Freight Shipping Bracket GF12II RFS2120
8	8810036	-	16	16	16	Screw, 5/16-18x1 Hex Washer Head
	8801388	-	16	-	16	Screw, 5/16-18x3/4 Hex Washer Head

CONTROLLER PARTS, 120 SELECT



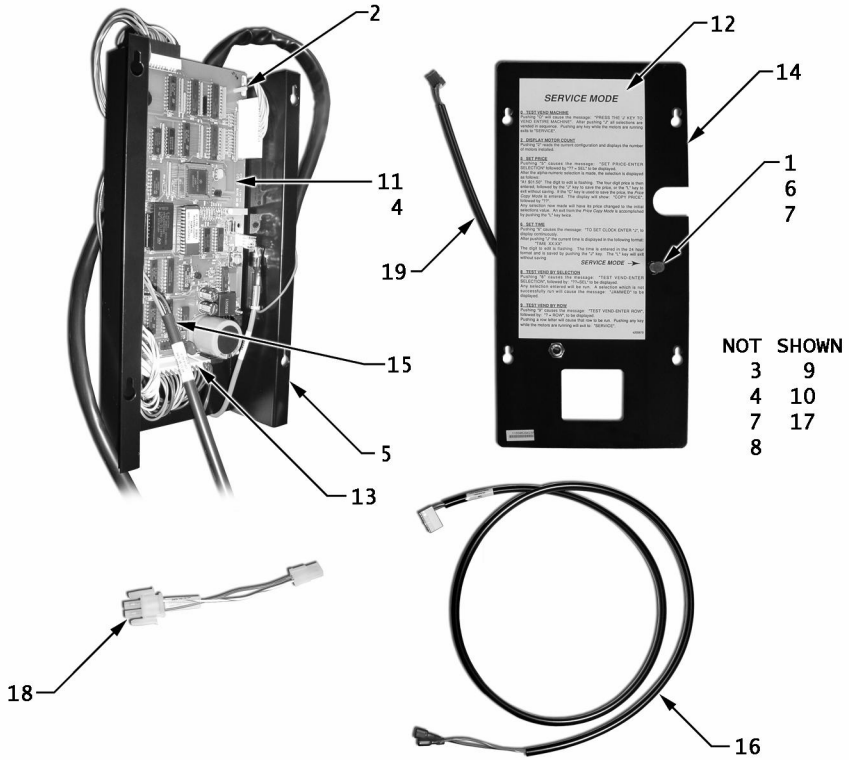
SIDE VIEW
(VISTA DE LADO)



FRONT VIEW
(VISTA DE FRENTE)

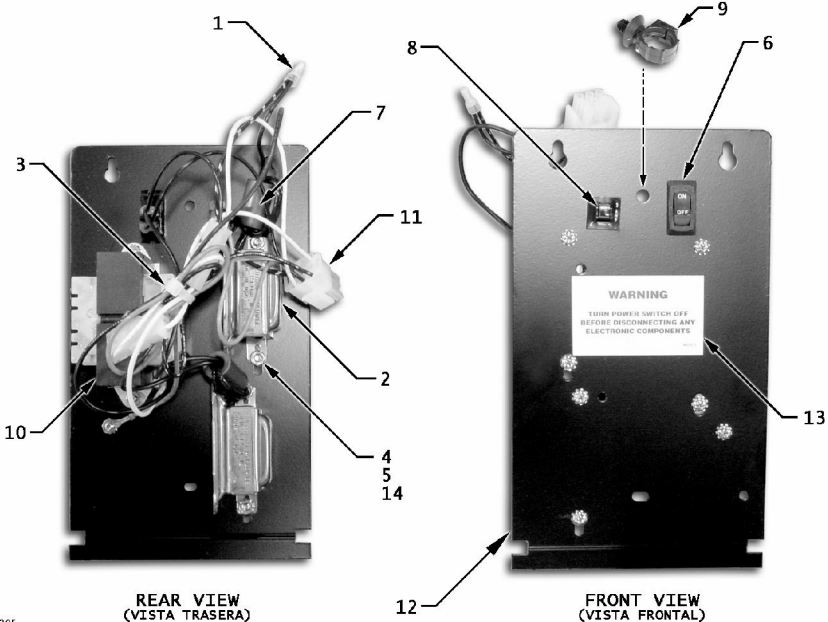
ITEM	PART NUMBER	QTY	QTY	QTY	DESCRIPTION
	1216291.002	1	-	-	Controller Assembly, 120 Select USD (SM6)
	1216291.003		1		Controller Assembly, 120 Select Exec (SM6 Exec)
	1216291.004	-	-	1	Controller Assembly, 120 Select USD Spanish (SM6)
1	1216177.000309	1	1	1	Controller Mount
2	4033712	2	2	2	Cable Tie, 7-3/8
3	4206879	7	7	7	Board Standoff, 3/8
4	4207902	1	1	1	Harness, DEX
5	4209601	1	1	1	Harness, Control Board
6	4209893.002	1	-	-	Control Board, 120 Select
	4209893.001	-	1	-	Control Board, 120 Select Executive
	4209893.003	-	-	1	Control Board, 120 Select Spanish
7	4210989.001	1	1	-	Decal, Controller
	4210989.002	-	-	1	Decal, Controller Spanish
8	4212992.000309	1	1	1	Mode Button Lever, Flat Black
9	4213035	1	1	1	Decal, Press
10	4213067	1	1	1	Cotter Pin, 5/64x1-1/2
11	4212605	-	1	-	Harness, Coin Mech (120 Select Executive)

CONTROLLER PARTS, 110 SELECT (SMIV)



ITEM	PART NUMBER	QTY	QTY	QTY	DESCRIPTION
	1216605	REF	-	-	Control Panel Parts, 3-4-5110R SMIV
	1216605.001	-	REF	-	Control Panel Parts, 3-4-5110 SMIV
	1215805.004			REF	Controller Parts, 4110R SMIV Exec
1	4021017	1	1	-	Spring
2	4025723	4	4	-	Controller Stand-Off
3	4050423	14	14	-	Screw, 8-18x3/8 Phillips Pan Head
4	4200238	1	1	1	Self-Adhesive Feet
5	4203137.001330	1	1	1	Controller Mount, Wrinkle Black
6	4203144	1	1	-	Mode Button
7	4203181	1	1	-	Bushing, 1/4 ID Snap
8	4203468	1	1	-	Clip, Snap-In
9	4203477	1	1	-	Nut, 1/4
10	4203509	1	1	-	Cable Tie
11	4203864.004218	1	1	-	Control Board, Versatile FSMMDB
	4203864.002	-	-	1	Control Board, Exec DEX
12	4203870	1	1	-	Label, Service Mode
13	4205091.001	1	1	-	Harness, Control 8-Plug
	4205091.002	-	-	1	Harness, Control 8-Plug
14	4205314.001330	1	1	-	Controller Cover, Wrinkle Black Black
15	4206648.001	1	1	-	Harness, Coin Mech
16	4206765	1	-	-	Harness, Relay
17	4211853.000309	1	-	-	Control Panel, RRF6 Flat Black
18	4213968	1	1	-	Harness, 24V Jumper

POWER PANEL PARTS

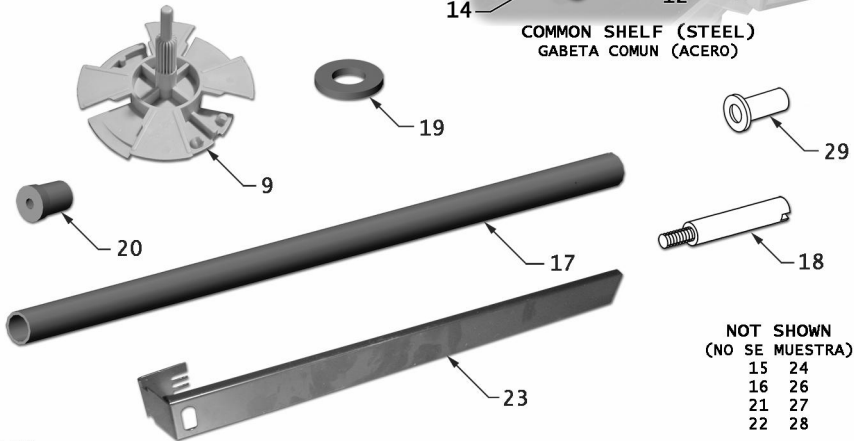
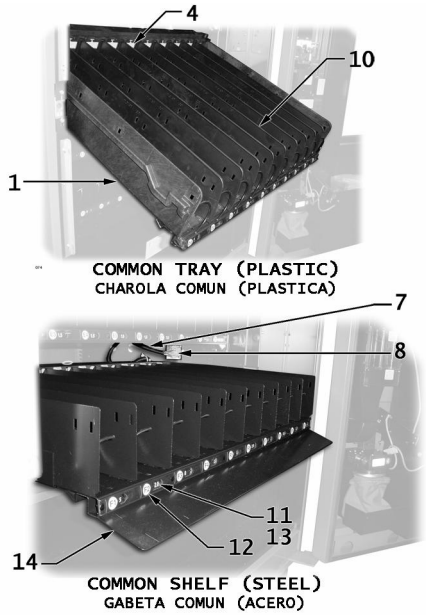
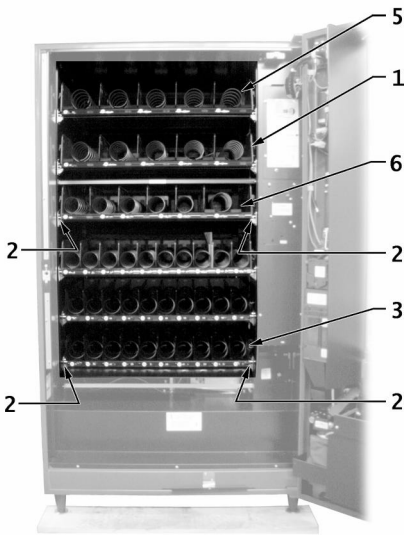


AI1795

POWER PANEL PARTS

ITEM	PART NUMBER																		DESCRIPTION
	1214528.001	1	-	-	-	-	-	-	-	-	-	-	-	-	-	-	-	-	Power Panel Parts, 2-3-4120 iVend 115V
	1214528	-	1	-	-	-	-	-	-	-	-	-	-	-	-	-	-	-	Power Panel Parts, 4-5120 4-5120L iVend 115V
	1214528.007	-	-	1	-	-	-	-	-	-	-	-	-	-	-	-	-	-	Power Panel Parts, 4120 115V RFI
	1216191	-	-	-	1	-	-	-	-	-	-	-	-	-	-	-	-	-	Power Panel Parts, 3-4120 115V iVend RFI
	1215591.009	-	-	-	-	1	-	-	-	-	-	-	-	-	-	-	-	-	Power Panel Parts, 5120R-HL/CB iVend 115V
	1215591.001	-	-	-	-	-	1	-	-	-	-	-	-	-	-	-	-	-	Power Panel Parts, 3-4-5120R 115V
	1214528.010	-	-	-	-	-	-	-	1	-	-	-	-	-	-	-	-	-	Power Panel Parts, 2-3120 230V
	1215591.003	-	-	-	-	-	-	-	-	1	-	-	-	-	-	-	-	-	Power Panel Parts, 3-4-5120/5120R, 3-4-5110 230V
	1215591.005	-	-	-	-	-	-	-	-	-	1	-	-	-	-	-	-	-	Power Panel Parts, 3-4-5120R 230V
	1215591.006	-	-	-	-	-	-	-	-	-	-	-	-	-	-	-	-	-	Power Panel Parts, 3120R 230V
1	4033505	2	2	2	-	2	2	2	-	3	3								Closed End Splice
2	4033609	1	-	-	-	-	-	-	-	-	-	-	-	-	-	-	-	-	Ballast, SP2
	4033669	-	1	1	-	1	1	-	-	-	-	-	-	-	-	-	-	-	Ballast, SP19
	4203625	-	-	-	1	-	-	-	-	-	-	-	-	-	-	-	-	-	Ballast Assy
	4033074	-	-	-	-	-	-	1	-	-	-	-	-	-	-	-	-	-	Ballast, 230V 50Hz
	4034088	-	-	-	-	-	-	-	-	-	1	-	-	-	-	-	-	-	Ballast, 240V 50Hz
	4203625.001	-	-	-	-	-	-	-	1	-	-	-	-	-	-	-	-	-	Ballast Assembly, 220V 50 Hz
3	4033712	1	1	1	2	1	1	1	2	2	2								Cable Tie, 7-3/8"
4	4050240	5	5	5	7	7	7	5	7	9	9								Screw, 8-32x3/8 Phillips Pan Head
5	4050585	6	7	7	8	7	7	6	7	9	9								Washer, #8 External Tooth Lock
6	4202088	1	1	1	1	1	1	1	1	1	1								Switch, Rocker 115V
7	4202801.001	1	1	1	-	1	1	1	-	1	1								Shield Bead, Ferrite
8	4203467.003	1	1	1	1	1	1	1	1	1	1								Circuit Breaker, 3 Amp
9	4203468	-	-	-	1	1	1	-	1	1	1								Snap-In Clip
10	4206570.000	1	1	1	1	1	1	-	-	-	-								Transformer, 115V/24V
	4206570.001	-	-	-	-	-	-	1	1	1	1								Transformer, 230V Input
11	4209153	1	1	1	-	1	1	1	-	1	1								Harness, Power Panel
	4211966	-	-	-	1	-	-	-	1	-	-								Harness, Power Panel
12	4211179.000330	-	-	-	1	1	1	-	1	1	1								Power Panel, Wrinkle Black
	4208695.001330	1	1	1	-	-	-	1	-	-	-								Power Panel CRS, Wrinkle Black
13	8620711	1	1	1	1	1	1	1	1	1	1								Label, Power Switch Warning
14	8800956	5	5	5	7	7	7	5	7	9	9								Nut, 8-32 Hex w/External Lock Washer
15	4203730.003	-	-	1	1	-	-	-	-	-	-								RFI Filter RFS
16	4050202	-	2	3	2	-	-	-	-	-	-								Screw, 8-18x1/2 Phillips Hex Washer Head

TRAY PARTS



A11302

TRAY PARTS

ITEM	PART NUMBER	QTY	DESCRIPTION
1	See page 24	A/R	Common Tray
2	See page 26	A/R	Rail Assembly
3	See page 24	A/R	Common Shelf
4	4034388.001	A/R	Motor, 24VDC 180 Degree
	4034388	A/R	Motor, 24VDC 360 Degree
	4203432.002	A/R	Motor, 24VDC 360 Degree
	4205436	A/R	Motor, Dual Helix
	4209663	A/R	Motor, Snap-In Single Coinco
5	4200272.145309	A/R	Auger, 5 Candy, Flat Black
	4200272.139309	A/R	Auger, 5 Snack, Flat Black
	4205532.106309	A/R	Auger, 6 Candy Right, Flat Black
	4200272.106309	A/R	Auger, 6 Candy, Flat Black

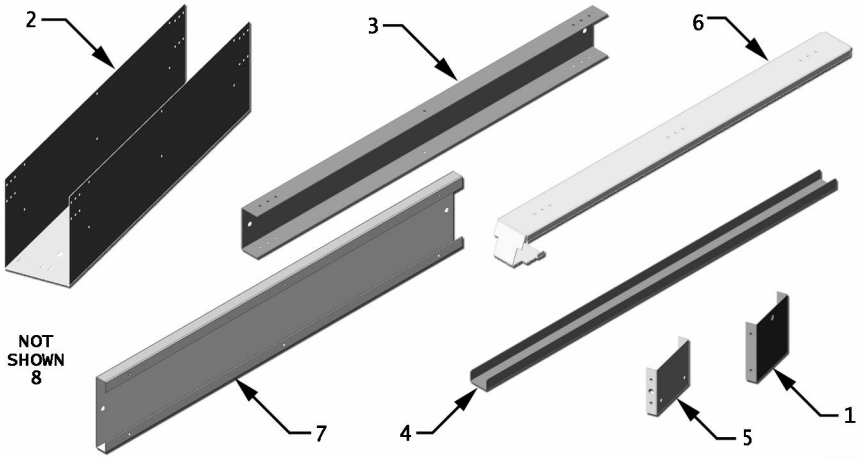
TRAY PARTS

ITEM	PART NUMBER	QTY	DESCRIPTION
	4200272.138309	A/R	Auger, 6 Snack, Flat Black
	4200272.110309	A/R	Auger, 7 Snack, Flat Black
	4200272.142309	A/R	Auger, 8 Candy, Flat Black
	4205532.142309	A/R	Auger, 8 Right Candy, Flat Black
	4200272.111309	A/R	Auger, 8 Snack, Flat Black
	4200272.105309	A/R	Auger, 9 Candy, Flat Black
	4205532.105309	A/R	Auger, 9 Right Candy, Flat Black
	4200272.131309	A/R	Auger, 10 Candy, Flat Black
	4205532.131309	A/R	Auger, 10 Right Candy, Flat Black
	4200272.107309	A/R	Auger, 10 Snack, Flat Black
	4200272.132309	A/R	Auger, 11 Candy, Flat Black
	4205532.132309	A/R	Auger, 11 Right Candy, Flat Black
	4200272.137309	A/R	Auger, 11 Snack, Flat Black
	4200272.104309	A/R	Auger, 12 Candy, Flat Black
	4205532.104309	A/R	Auger, 12 Right Candy, Flat Black
	4200272.108309	A/R	Auger, 12 Snack, Flat Black
	4200272.100309	A/R	Auger, 15 Candy, Flat Black
	4205532.100309	A/R	Auger, 15 Right Candy, Flat Black
	4200272.109309	A/R	Auger, 15 Snack, Flat Black
	4200272.101309	A/R	Auger, 18 Candy, Flat Black
	4205532.101309	A/R	Auger, 18 Right Candy, Flat Black
	4200272.134309	A/R	Auger, 18 Snack, Flat Black
	4200272.102309	A/R	Auger, 24 Candy, Flat Black
	4205532.102309	A/R	Auger, 24 Right Candy, Flat Black
	4202313.104309	A/R	Auger, 24/48 Candy, Flat Black
	4200272.103309	A/R	Auger, 30 Candy, Flat Black
	4202313.106309	A/R	Auger, 30 Count, Flat Black
	4202313.100309	A/R	Auger, 36 Gum & Mint, Flat Black
	4202313.105309	A/R	Auger, 36 Gum & Mint, Flat Black
	4202313.107309	A/R	Auger, 40 Candy, Flat Black
6	4200340	A/R	Helix Retainer, Plastic
	4206801.001309	A/R	Helix Retainer, Flat Black CRS
7	4203468	A/R	Snap-In Clip
8	4203508.003	A/R	Harness, 3W Tray
	4203989.003	A/R	Harness, 3W Tray
	4208888	A/R	Harness, 3W Tray
	4203508.004	A/R	Harness, 4W Tray
	4203989.004	A/R	Harness, 4W Tray
	4203508.005	A/R	Harness, 5W Tray
9	4209502	A/R	Auger Coupling, Gray
10	4210732.001	A/R	Divider
	4025797	A/R	Divider
	4210523.001309	A/R	Divider, Steel, Flat Black
	4209261.001309	A/R	Tray Divider, Flat Black
11	4202520.001	A/R	Label, Price
	4203341	A/R	Label, Price Scroll
	4203341.001	A/R	Label, Price Scroll, English
	4203341.008	A/R	Label, Price Scroll, English
	4212572	A/R	Label, Price Scroll, Mexico
12	4203707	A/R	Label, Selection Identification
	4213017	A/R	Label, Selection Scroll
13	4213143.001	A/R	Label, Scroll .35 – 1.00 (.05)
	4213143.002	A/R	Label, Scroll 05/30 – 1.05/1.45
	4213143.020	A/R	Label, Scroll 1.00/2.40 (.10)

TRAY PARTS

ITEM	PART NUMBER	QTY	DESCRIPTION
	4213143.017	A/R	Label, Scroll 1.5/8.5 Mex (.5)
	4213143.003	A/R	Label, Scroll 1.50/2.20 (.05)
	4213143.011	A/R	Label, Scroll 7.50/8.20 (.05)
	4213143.014	A/R	Label, Scroll 9.75/10.45 (.05)
14	4213159.000309	A/R	Product Deflector, Flat Black 5W
	4208686.007309	A/R	Tray Deflector, 4 Wide Flat Black
	4208686.006330	A/R	Tray Deflector, 3 Wide Wrinkle Black
	4209239.001330	A/R	Tray Deflector, 2 Wide Wrinkle Black
15	1216122.001	1	Pringles Retainer Single 5 Wide
16	4202624.006	2	Spacer, Gum & Mint w/Tape, 22"
17	4202625.001	A/R	Tube, Gum & Mint Helix 22-1/16"
18	4202698	A/R	Gum & Mint Wire Shaft Retainer
19	4203029	A/R	Washer, Inner Door
20	4203101	A/R	End Cap
21	4209260	A/R	Label Holder, 2 Wide
	4203229.003	A/R	Label Holder, 3 Wide
	4203229.004	A/R	Label Holder, 4 Wide
22	4203509	A/R	Cable Tie
23	4206251.000309	A/R	Product Tray Spacer
24	4060638	A/R	Plastic Bag
25	4050202	A/R	Screw, 8-18x1/2 Phillips Hex Washer Head
26	4050420	A/R	Screw, 8-18x1/4 Phillips Hex Washer Head
27	8810019	A/R	Screw, 10-13x3/4 Wood
28	8810035	A/R	Screw, 10-24x1 Truss Cross Head
29	4210900	A/R	Shoulder Bushing
30	See page 23	A/R	Spacer & Stacker Parts

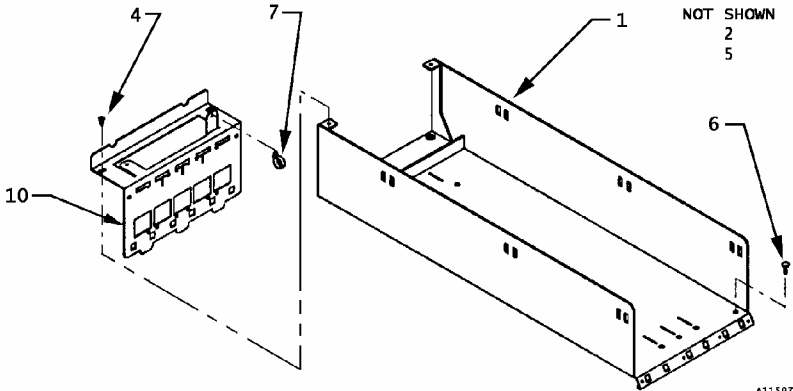
SPACER & STACKER PARTS



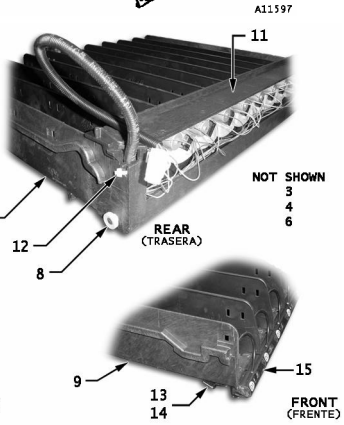
A11598

ITEM	PART NUMBER	QTY	QTY	QTY	QTY	QTY	DESCRIPTION
	1216451	1	-	-	-	-	Product Spacer "A" Assembly
	1216452.001	-	1	-	-	-	Stacker Assembly "B"
	1216452.002	-	-	1	-	-	Stacker Assembly "C"
	1216452.003	-	-	-	1	-	Stacker Assembly "D"
	1216452.004	-	-	-	-	1	Stacker Assembly "E"
1	4213273.001309	-	-	-	1	1	Stacker End, 2.78
1	4213273.002309	-	1	1	-	-	Stacker End, 4.0
2	4213274.001309	-	-	-	1	1	Stacker, 2.78x6 (14.816)
2	4213274.002309	-	1	1	-	-	Stacker, 4x6 (16.035)
3	4213296.000309	-	1	1	-	-	Side Product Riser
4	4213297.000309	1	-	-	-	-	Spacer Riser
5	4213300.001309	-	-	-	2	1	Label End, 2.781
5	4213300.002309	-	2	2	-	-	Label End, 4.0
6	4213301.000309	1	-	-	-	-	Product Tray Spacer
7	4213302.000309	-	1	-	-	-	Side Spacer
8	4050667	3	21	15	12	8	Pop Rivet, 1/8 x .250 Aluminum

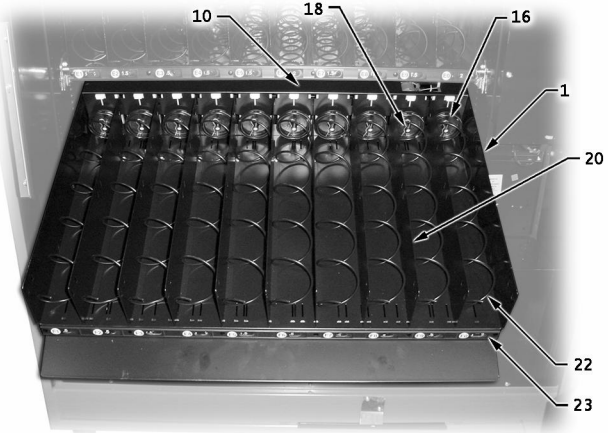
COMMON TRAY



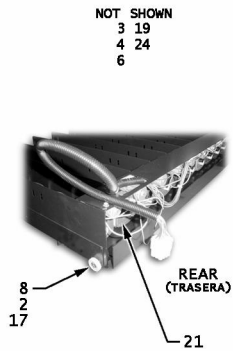
A11303



COMMON SHELF



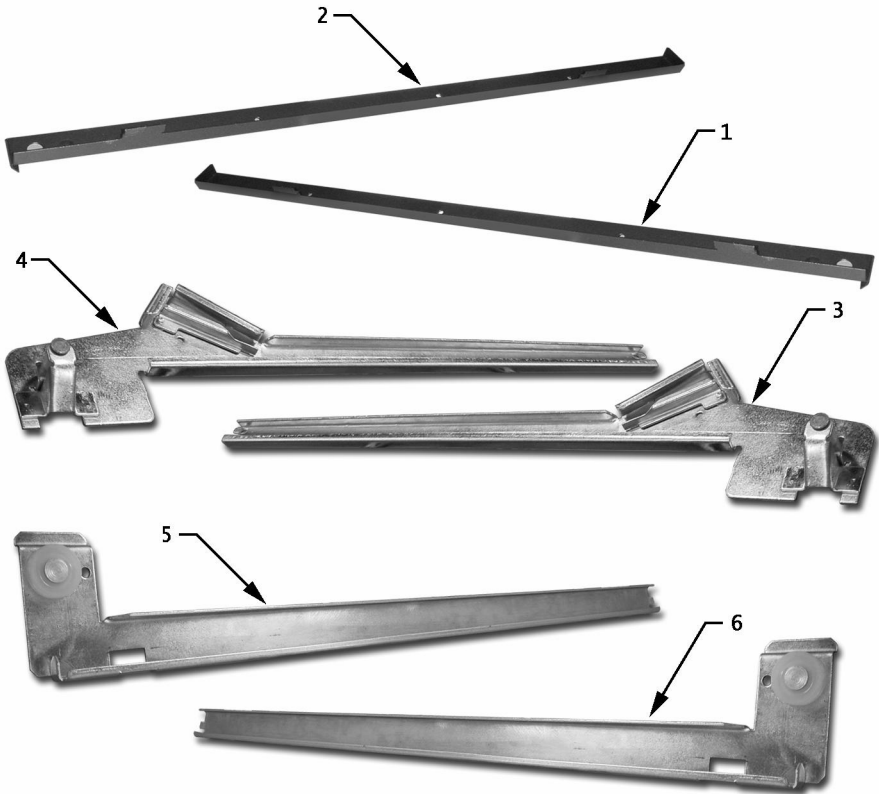
A11308



COMMON TRAY/SHELF

ITEM	PART NUMBER	2W	3W	4W	5W		DESCRIPTION
		REF	-	-	-	-	
		-	REF	-	-	-	Common Tray, 2120
		-	-	REF	-	-	Common Shelf, 3110R/3120/3120R VL
		-	-	-	REF	-	Common Shelf, 4120/4120R VL HL
		-	-	-	-	REF	Common Tray, 5110/5110R/5120/5120R HL/ VL CB
		-	-	-	-	REF	Common Tray, Full 5120R HL/CB
		-	-	-	-	-	Common Shelf, Shallow 5120R HL/CB
1	1214700.001330	1	-	-	-	-	Tray Weld, 2 Wide, Wrinkle Black
	1212139.003	-	1	-	-	-	Tray Sub-Assembly, 3 Wide
	1212139.004	-	-	1	-	-	Tray Sub-Assembly, 4 Wide [4203276]
	1216001	-	-	-	1	-	Tray Sub-Assembly, 5 Wide
	1216497.000330	-	-	-	-	1	Tray Weld, 5 Wide
	1216298.000309	-	-	-	-	1	Tray Weld, 5 Wide Shallow, Flat Black
2	4050241	2	-	-	-	-	Screw, 8-18x3/4 Phillips Pan Head
3	4050420	-	-	-	-	9 11	Screw, 8-18x1/4 Phillips Hex Washer Head
4	8800636	3	-	-	-	-	Screw, 8-18x1/2 Phillips Pan Head Type
	4050180	-	-	-	-	20	Screw, 8-18x1/2 Phillips Pan Head Tek
5	4060174.100950	2	-	-	-	-	Rolled Split Spacer, 3/8 Clear Zinc Plated
6	4205329	9	-	-	-	6	Arrow Clip
7	8324099.6	1	-	-	-	-	Clamp, 3/8x1/2
8	4060670.004	-	2	2	-	-	Roller
	4060670.009	-	-	-	2	-	Roller
	4060670.001	-	-	-	-	2 1	Roller
9	4203275	-	1	-	-	-	Product Tray, 3 Wide
	4203276	-	-	1	-	-	Product Tray, 4 Wide
	4210730.001	-	-	-	1	-	Product Tray, 5 Wide
10	4209847.001330	1	-	-	-	-	Motor Back, Wrinkle Black
11	4203277.003	-	1	-	-	-	Motor Cover, 3 Wide
	4203277.004	-	-	1	-	-	Motor Cover, 4 Wide
	4210731.005	-	-	-	1	-	Motor Cover, 5 Wide
12	4203509	-	1	1	1	-	Cable Tie
13	4211371	-	-	-	1	-	Tray Brace
14	4212631	-	-	-	10	-	Rivet, Alum/Steel Polygrip
15	4210733.005	-	-	-	1	-	Scroll Retainer, 5W (Tray Extrusion)
16	4025745	-	-	-	-	10 10	Coupling, Auger
17	4050496	-	-	-	-	2 2	Nut, 1/4-20, Two Way Lock
18	4214861	-	-	-	-	10	Hitch Pin, Western Wire 213
	4050773.001	-	-	-	-	10	Hitch Pin, #17 Closed
19	4203029	-	-	-	2	2	Washer, Inner Door
20	4209261.001330	-	-	-	-	9	Tray Divider, Wrinkle Black
	4209261.002330	-	-	-	-	9	Tray Divider, Wrinkle Black
21	4209662	-	-	-	-	10 10	Motor, 24VDC Shaft 360
22	4200272.106309	-	-	-	-	10	Auger 6 Candy, Flat Black
	4211397.023309	-	-	-	-	10	Auger, 5CT Candy/CCW, Flat Black
23	4211464	-	-	-	-	1 1	Label Holder
24	4213161.000330	-	-	-	-	10	Product Tray Spacer, Wrinkle Black

RAIL ASSEMBLY



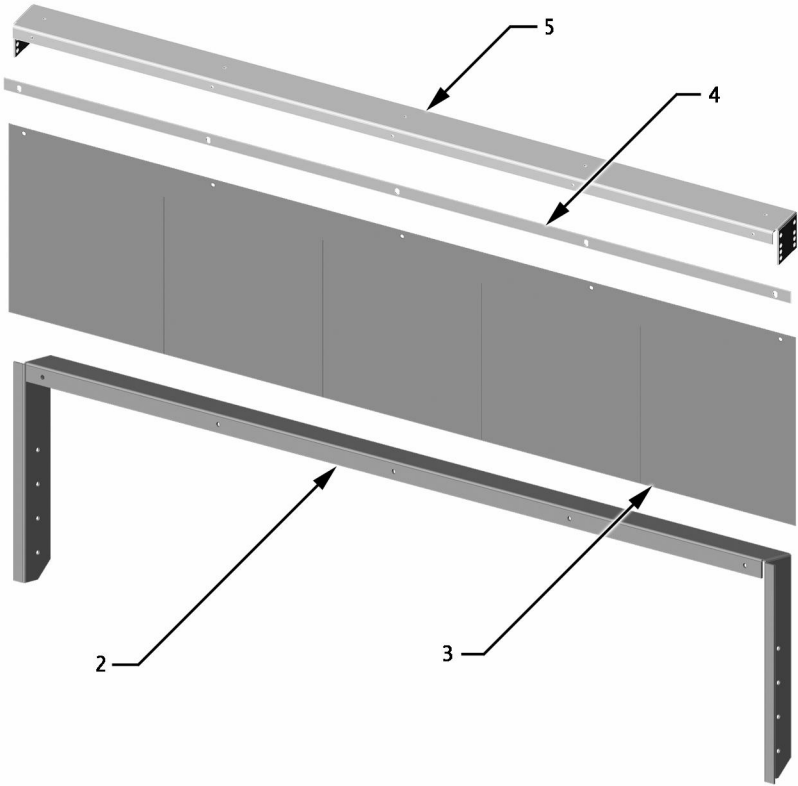
A11582

ITEM	PART NUMBER	2W	3W	4W	5W	DESCRIPTION
		REF	-	-	-	2 Wide
		-	REF	-	-	3 Wide
		-	-	REF	-	4 Wide
		-	-	-	REF	5 Wide
1	4205712.003330	A/R	-	-	-	Tray Rail Right, Wrinkle Black
2	4205712.001330	A/R	-	-	-	Tray Rail Left, Wrinkle Black
3	1215925		-	-	A/R	Rail Assembly, Long Right (5120)
	1215925.004		-	-	A/R	Rail Assembly, Med Right (5120)
4	1215925.001		-	-	A/R	Rail Assembly, Long Left (5120)
	1215925.005		-	-	A/R	Rail Assembly, Med Left (5120)
5	1200321.002		A/R	A/R	A/R	Side Rail Assembly, Left (3, 4, 5 Wide)
6	1200321.003		A/R	A/R	A/R	Side Rail Assembly, Right (3, 4, 5 Wide)

CHILLED HR40 ENHANCEMENT KIT 220V

ITEM	PART NUMBER	QTY	DESCRIPTION
	1216062.052	1	Chilled HR40 Enhancement Kit 220V
1	4033712	2	Cable Tie, 7-3/8"
2	4034344.001	2	Evaporator Fan, 230V
3	4050420	1	Screw, 8-18x1/4 Phillips Hex Washer Head
4	4213582	1	Black Pica Vinyl, 12" x 33"
5	4213608	1	Two Fan Cover
6	4213610.000309	1	Insulation Barrier
7	4213613	1	Sensor Hood
8	4213614	1	Sensor Access Door
9	4213615	1	Sensor Hood Mount
10	4213616	1	Harness, Two Fan Cover
11	8800829	8	Screw, 10-24x3/8 Phillips Truss Head

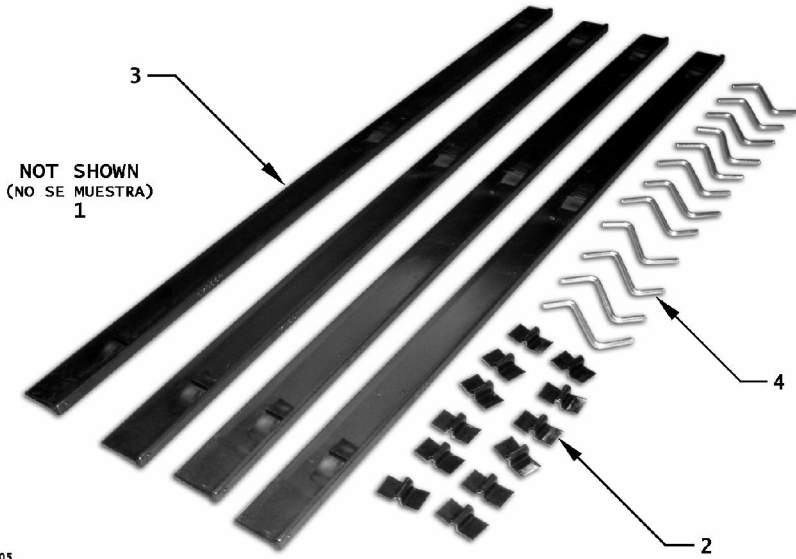
AIR CURTAIN PARTS



A11586

ITEM	PART NUMBER	QTY	QTY	DESCRIPTION
	1216486	1	-	Air Curtain Assembly
	1216521	-	1	Air Curtain Assembly
1	4050667	5	-	Pop Rivet, 1/8x1/4 Aluminum
	4201942	-	5	Screw, 6-20x3/16 Phillips Pan Head Type B
2	4213573.000309	1	-	Air Curtain Mount, Flat Black
3	4213574	1	1	Air Curtain
4	4213612	1	1	Air Curtain Retainer
5	4213932.000330	-	1	Top Angle, 5W

SPACER KIT



A11305

ITEM	PART NUMBER	QTY	QTY	DESCRIPTION
	1215128	1	-	Spacer Kit
	1215128.003	-	1	Spacer Kit, Bimbo
1	4060638	1	1	Plastic Bag
2	4200281	12	16	Spring Clip
3	8370660.5	4	6	Spacer
4	8370998	12	16	Support, Spacer

KICKER SERVICE KIT



AL1306

ITEM	PART NUMBER	QTY	QTY	DESCRIPTION
	1216120	1	-	Kicker Service Kit
	1216120.001	-	1	Dual Kicker Service Kit
1	4020697	1	1	Envelope, Service Manual
2	4025748	12	40	Product Ejector, CCW Black
	4025748.002	-	20	Product Ejector, CW Black

DOOR PARTS

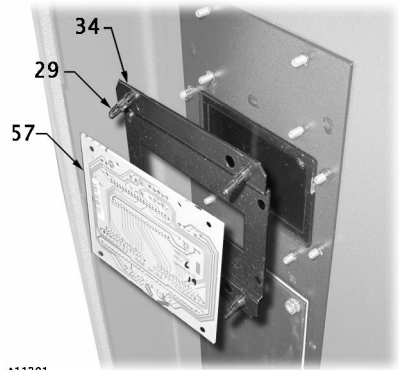


A11287

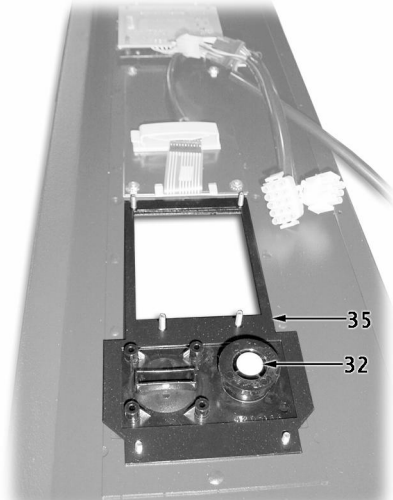
DOOR PARTS



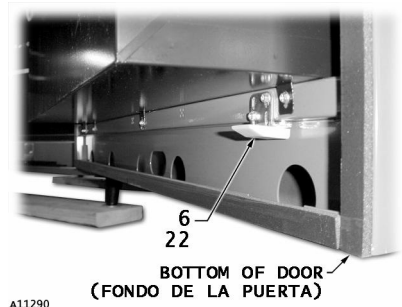
A11298



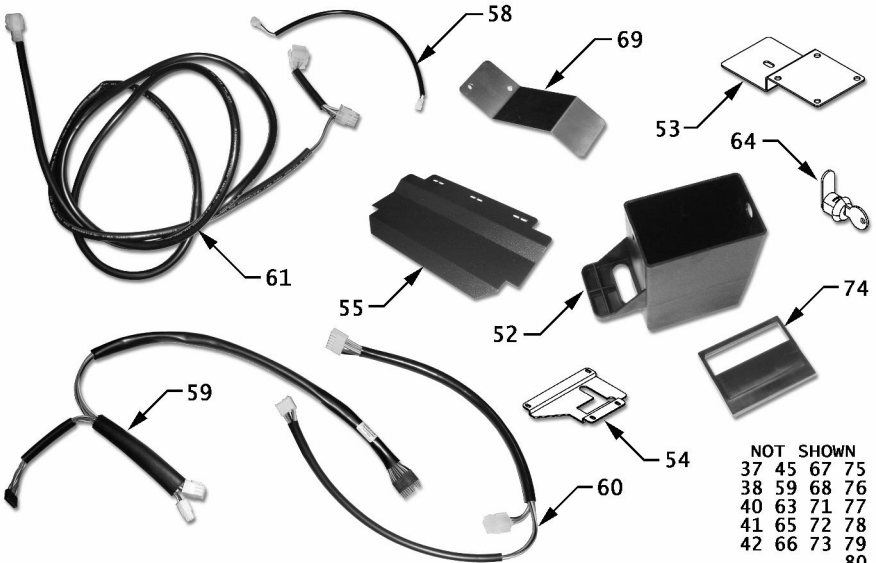
A11291



A11289



A11290



A11587

NOT SHOWN
 37 45 67 75
 38 59 68 76
 40 63 71 77
 41 65 72 78
 42 66 73 79
 80

DOOR PARTS

ITEM	PART NUMBER	2W	3W	4W	5W	DESCRIPTION
		REF	-	-	-	Door Parts, RFS 2120
		-	REF	-	-	Door Parts, RFS 3110S 3110R 3120 3120R iVend™ VL
		-	-	REF	-	Door Parts, RFS 4110 4110R 4120 4120L 4120R HL VL
		-	-	-	REF	Door Parts, RFS 5110 5120 5120R iVend™ HL CB DO
1	See page 44	1	1	1	1	Light Assembly
2	1212097.000950	1	1	1	1	Coin Chute Weld, Clear Zinc
	1215694.000950	-	1	1	1	Coin Chute Weld, Clear Zinc
3	See page 39	1	1	1	1	Delivery Box Assembly
4	See page 48	1	1	1	1	Coin Return Lever Mechanism
5	See page 43	-	-	-	1	Delivery Bottom Assembly
6	4025610	-	1	1	1	Door Glide
7	4025741	21	21	21	21	Push Button
8	4033668	1	1	-	-	Lamp, F14T8/CW (2/3 Wide)
	4033549	-	-	1	-	Lamp, F15T8/CW/18" (4 Wide)
	4034135	-	-	-	1	Lamp, F18T8/CW/K24 (5 Wide)
	4203131	-	1	1	-	Lamp, F30T12/CW/RS 36"
9	4050338	2	2	2	2	Screw, 10-32x1/2 Phillips Pan Head Machine
10	4050423	10	36	36	36	Screw, 8-18x3/8 Phillips Pan Head Type A
11	4050495	2	2	2	2	Nut, 10-32 Two Way Lock
12	4050747	4	4	4	4	Nut, 1/4 Stamped Hex
13	4201942	2	2	2	2	Screw, 6-20x3/16 Phillips Pan Head Type B
14	4202255	9	11	11.25	13	Gasket, 1/4x3/4 w/adhesive (FT)
15	4200659	-	-	1	-	Readout Window (Coinco)
	4202841.016	-	1	1	1	Readout Window, Amber
	4202841.009	1	1	1	1	Readout Window, Blue (Mars)
16	4203186.004	1	1	1	1	Coin Insert, Black 1-1/8
	4203186.005	-	1	1	1	Coin Insert, Black 1-3/8
	4203186.014	-	-	-	1	Coin Insert, Black 1-3/8
	4203186.003	-	1	1	-	Coin Insert, White 1-3/8
17	4203187	1	1	1	1	Coin Return Button
	4203187.001	-	1	1	-	Coin Return Button, White
18	4203207	1	1	1	1	Coin Cup, Black
	4209289.003309	-	1	-	-	Coin Cup, PLT/STUDS/BLK
	4203207.001	-	1	1	-	Coin Cup, White
19	4203208	1	1	1	1	Coin Cup Door, Black
	4203208.001	-	1	1	-	Coin Cup Door, White
20	4203209	1	1	1	1	Coin Cup Bezel, Black
	4203209.001	-	1	1	-	Coin Cup Bezel, White
21	4203263.500	1	-	-	-	Corner Gasket (FT)
22	4203387.001950	-	1	1	1	Door Lift Mount, Plated
23	4203486	1	1	1	1	Handle, 1/4 Turn
24	4203696	-	1	1	1	Ribbon Cable Clamp
25	4209513.001	1	-	-	-	Display Window, Tempered Glass 1/8x9x42-1/4
	4203478.003	-	1	-	-	Display Window, Plexiglas 3/16x17-7/8x42-3/32
	4203478.004	-	-	1	-	Display Window, Plexiglas 3/16x23-23/32x42-3/32
	4203946.003	-	1	-	-	Display Window, Tempered Glass 1/2x17-11/16x42 2-Pane
	4203946.004	-	-	1	-	Display Window, Tempered Glass 1/2x23-17/32x42 2-Pane
	4203946.005	-	-	-	1	Display Window, Tempered Glass 1/2x29-3/8x42 2-Pane
	4203478.006	-	1	-	-	Display Window, Tempered Glass 1/8x17-11/16x41-15/16
	4203478.007	-	-	1	-	Display Window, Tempered Glass 1/8x23-17/32x41-15/16
	4203478.008	-	-	-	1	Display Window, Tempered Glass 1/8x29-3/8x41-15/16
26	4203947.005	-	-	-	1	Gasket, Double Pane 5 Wide

DOOR PARTS

ITEM	PART NUMBER	2W	3W	4W	5W	DESCRIPTION
	4209025.004	1	-	-	-	Gasket, Single Pane 2 Wide
	4209025.006	-	1	-	-	Gasket, Single Pane 3 Wide
	4209025.007	-	-	1	-	Gasket, Single Pane 4 Wide
	4209025.008	-	-	-	1	Gasket, Single Pane 5 Wide
	4203947.003	-	1	-	-	Gasket, Window 3 Wide
	4203947.004	-	-	1	-	Gasket, Window 4 Wide
27	4203485.001330	-	1	1	1	Left Door Partition, Wrinkle Black (Ambient)
	4203954.001330	-	1	1	1	Left Door Partition, Wrinkle Black (Refrigerated)
28	4203566.001309	-	2	2	2	Window Retainer, Flat Black
	4203955.001309	-	2	2	2	Window Retainer, Flat Black
	4209082.001309	2	-	-	-	Window Retainer, Flat Black
	4203566.001330	-	2	2	2	Window Retainer, Wrinkle Black
29	4206879.002	-	-	4	-	Board Standoff, 3/4
	4206879	4	4	4	4	Board Standoff, 3/8
30	4209081.001309	1	-	-	-	Product Deflector, 2 Wide Flat Black
	4203484.001309	-	1	-	-	Product Deflector, 3 Wide Flat Black
	4207926.000309	-	1	-	-	Product Deflector, 3 Wide Flat Black
	4208414.000309	-	1	-	-	Product Deflector, 3 Wide Flat Black
	4210314.004	-	-	1	-	Product Deflector, 4 Wide
	4203484.002309	-	-	1	-	Product Deflector, 4 Wide Flat Black
	4207926.001309	-	-	1	-	Product Deflector, 4 Wide Flat Black
	4208414.001309	-	-	1	-	Product Deflector, 4 Wide Flat Black
	4207926.002309	-	-	-	1	Product Deflector, 5 Wide Flat Black (Refrig)
	4208414.002330	-	-	-	1	Product Deflector, 5 Wide Wrinkle Black (Ambient)
31	4207441.000330	-	1	1	1	Right Partition, Wrinkle Black
	4209016.001330	-	1	1	1	Right Partition, Wrinkle Black
	4209569.001330	1	-	-	-	Right Partition, Wrinkle Black
32	4209188	1	1	1	1	Plug, Snap Pin
33	4209843	-	-	1	-	Harness, Door
	4209998	1	1	1	1	Harness, Door
34	4209974.001309	-	-	1	1	Display Mount, Flat Black (Coinco)
	4210496.000330	-	1	1	1	Display Mount, Wrinkle Black
	4210239.001330	1	1	1	1	Display Mount, Wrinkle Black (Mars)
35	4210954.000330				1	Insert Mount, Wrinkle Black
36	4211312.000309	1	1	1	1	Display Cover, Flat Black
37	4211555	5.5	6	6.5	6.5	Gasket, 3/4 Beveled Foam (FT)
38	4212660	-	1	1	1	Harness Adapter, CF/FF
39	See page 46	1	1	1	1	Instruction Insert
40	8324099.6	1	-	1	1	Clamp, 3/8x1/2 [5120R-HL/CB iVend HG]
41	8370959.3	1	1	1	1	Locking Clamp, 3/4 [5120R-HL/CB iVnd HG]
42	8800956	14	18	18	18	Nut, 8-32 Hex w/External Lock Washer
43	4200419.CGX	-	1	-	-	Coin Mech, 9302CGX Coinco
	4200419.GX	1	1	1	1	Coin Mech, 9302GX Coinco
	4206699.092	-	-	1	-	Coin Mech, Coinco CAQ-G719 Canada 4T
	4206699.069	-	-	1	1	Coin Mech, Coinco GLOBAL USQ-G705 MDB
	4206699.058	-	-	1	-	Coin Mech, Coinco MXP-A703 Mexico MDB
	4206699.026	-	1	1	-	Coin Mech, Coinco MXP-G703
	4206699.077	-	-	-	1	Coin Mech, Conlux MDB CM CCM5-1
	4206699.061	-	1	-	-	Coin Mech, DOP-L701 4-Tube
	4206699.037	-	1	1	-	Coin Mech, Jofemar E/MDB Mexico
	4206699.091	-	1	-	1	Coin Mech, Jofemar MDB Mexico J-2000
	4206699.029	-	1	1	1	Coin Mech, Mars 560 CSHFLW MDB Mexico
	4206699.096	-	1	1	-	Coin Mech, Mars 560 CSHFLW MDB US
43	4206699.080	-	1	-	-	Coin Mech, Mars CF350 UAE

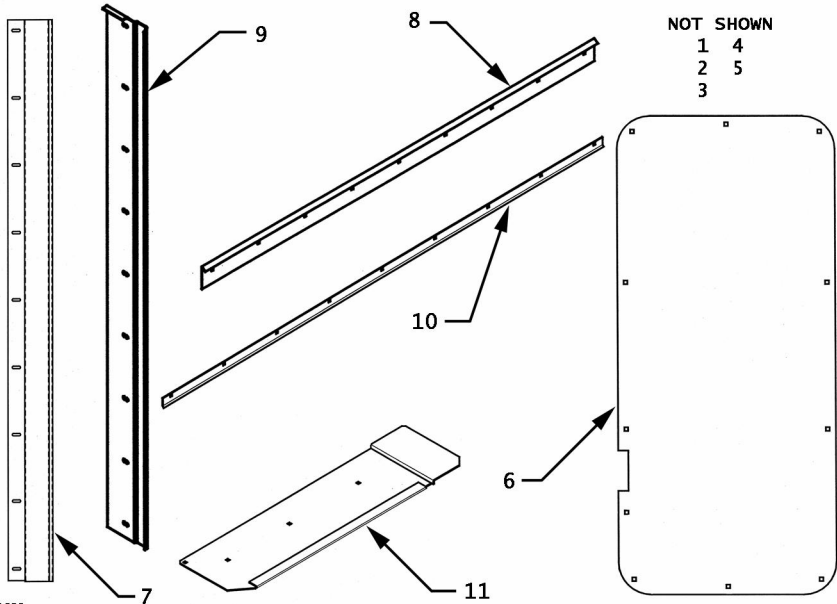
DOOR PARTS

ITEM	PART NUMBER	2W	3W	4W	5W	DESCRIPTION
	4206699.039	-	-	1	1	Coin Mech, Mars CM MDB TRC6512 D
	4206699.048	1	1	1	1	Coin Mech, Mars MCH VN4510 TC11 4-Tube
	4206699.088	-	-	1	-	Coin Mech, Mars Panama
	4206699.090	-	-	1	-	Coin Mech, NRI G-46.448 SV/MDB Kuwait
	4206699.095	-	1	1	-	Coin Mech, NRI G-46.4880/3-303
	4206699.060	-	-	-	1	Coin Mech, USQ-G701 4-Tube
44	1214791.001305	1	-	-	-	Door Weld, 2 Wide Light Gray
	1214791.001330	1	-	-	-	Door Weld, 2 Wide Wrinkle Black
	1214488.000309	-	1	-	-	Door Weld, 3 Wide Flat Black
	1216002.003330	-	1	-	-	Door Weld, 3 Wide High Security Wrinkle Black
	1216002.003305	-	1	-	-	Door Weld, 3 Wide High Security, Light Gray
	1214488.000305	-	1	-	-	Door Weld, 3 Wide Light Gray
	1214488.000322	-	1	-	-	Door Weld, 3 Wide P. Blue
	1214488.000335	-	1	-	-	Door Weld, 3 Wide Pantone Blue
	1214488.000301	-	1	-	-	Door Weld, 3 Wide Red
	1214488.000306	-	1	-	-	Door Weld, 3 Wide White
	1214488.000330	-	1	-	-	Door Weld, 3 Wide Wrinkle Black
	1214488.000313	-	1	-	-	Door Weld, 3W Cream
	1214488.000312	-	1	-	-	Door Weld, 3W UL KK Red
	1214488.001309	-	-	1	-	Door Weld, 4 Wide Flat Black
	1214488.001305	-	-	1	-	Door Weld, 4 Wide Light Gray
	1214488.001322	-	-	1	-	Door Weld, 4 Wide P. Blue
	1214488.001324	-	-	1	-	Door Weld, 4 Wide P. Gray
	1214488.001301	-	-	1	-	Door Weld, 4 Wide Red
	1214488.001306	-	-	1	-	Door Weld, 4 Wide White
	1214488.015330	-	-	1	-	Door Weld, 4 Wide Wrinkle Black (HS)
	1214488.001330	-	-	1	-	Door Weld, 4 Wide Wrinkle Black [Mars]
	1215024.000330	-	-	1	-	Door Weld, 4 Wide Wrinkle Black, Coinco
	1214488.002309	-	-	-	1	Door Weld, 5 Wide Flat Black
	1214488.002322	-	-	-	1	Door Weld, 5 Wide P. Blue
	1214488.002335	-	-	-	1	Door Weld, 5 Wide Pantone Blue
	1214488.002301	-	-	-	1	Door Weld, 5 Wide Red
	1214488.016301	-	-	-	1	Door Weld, 5 Wide Red (HS)
	1214488.002330	-	-	-	1	Door Weld, 5 Wide Wrinkle Black
	1214488.002330	-	-	-	1	Door Weld, 5 Wide Wrinkle Black
	1214488.016330	-	-	-	1	Door Weld, 5 Wide Wrinkle Black (HS)
	1215024.010330	-	-	-	1	Door Weld, 5 Wide Wrinkle Black, Card Reader 330 CRS
45	4205536.073	-	-	1	1	Card Reader, E-Port Reader Landline
	4205536.024	-	-	1	-	Validator, BA32F 4632
	4205536.081	-	-	1	-	Validator, Cash Code CA5-MCP-ST12-ML
	4205536.145	1	1	1	1	Validator, Coinco Bill Pro BP4SX
	4205536.124	1	1	1	1	Validator, Coinco MAG32SA
	4205536.061	-	-	1	1	Validator, Conlux NBM 3120 MDB
	4205536.082	-	1	1	-	Validator, GPT Lebanese 350DO100
	4205536.037	-	-	-	1	Validator, MAG50BB
	4205536.054	-	-	1	-	Validator, MAG52 BXB MDB Only
	4205536.071	-	1	1	-	Validator, Mars 2512 U3M VAL US
	4205536.080	-	1	-	-	Validator, Mars 2512 U7M Val US
	4207996.007	-	-	-	1	Validator, Mars VN2502 U3M
	4205536.048	-	-	1	-	Validator, NBU-21A1-12 CNLX BTLMSK MDB
	4205536.075	-	1	-	-	Validator, GPT GIII Aurora MDB Saudi Arabia
46	See page 47	1	1	1	1	Mech Mount Assembly
47						
48	4212562.013	-	1	-	-	Honor Gard™ Bag

DOOR PARTS

ITEM	PART NUMBER	2W	3W	4W	5W	DESCRIPTION
	4212562.016	-	1	1	1	Honor Gard™ Bag (4)
	4212562	-	-	1	-	Honor Gard™ Bag (6)
	4212562.010	-	-	1	-	Honor Gard™ Bag (7)
49	4209178	1	1	1	1	Decal, Door
	4210000	-	-	1	1	Decal, Door
	4213605	-	1	1	1	Decal, Door RFS iVend™
	4209178.003	-	1	1	-	Decal, No Text Door
	4209178.001	-	1	1	1	Decal, Spanish Door
50	4203409	-	1	1	-	Keypad, 110 Select (SMIV)
	4203409.004	1	1	1	1	Keypad, 120 Select
	4210658.002	-	-	1	1	Keypad, Rotated Lance
51	4208735.001330	1	1	1	1	Keypad Mount, Wrinkle Black
52	4208890	1	1	1	1	Coin Box, Plastic
53	4209332	-	1	-	-	Coin Return Stop
54	4025723	-	4	4	4	Controller Stand-Off
55	4209568.001330	1	-	-	-	Bottom Product Deflector, Wrinkle Black
56						
57	4200660.003	1	1	1	1	Display Board, #408045-1.1
	4203037	-	1	1	1	Display Board, SMIV 970001
58	4212241	1	1	1	1	Harness, Extension Cable
59	4203994.001	-	1	1	1	Harness, Keypad/Display
60	4211011	1	-	-	-	Harness, MDB Coin/Validator
61	4211957	1	1	1	1	Harness, MDB Power
62	4202418	-	1	-	-	Label, Earthing Label (not shown)
63	4203463.001306	-	1	1	1	Light Door Weld, White (Ambient)
	4205094.003306	-	1	1	1	Light Door, White (Refrigerated)
64	4060366.001	-	1	1	1	Lock, Coin Box BH076
65	4060134	-	1	1	1	Plastic Wire Clamp, 1"
66	4205536.078	-	-	-	1	Printer, E-Port Card Reader
67	4050202	-	8	5	5	Screw, 8-18x1/2 Phillips Hex Washer Head
68	4050420	26	-	-	-	Screw, 8-18x1/4 Phillips Hex Washer Head
69	4203592	-	1	1	1	Switch Activator (Ambient)
70	4205036.001330	-	1	1	1	Switch Plate Interlock, Wrinkle Black (Refrigerated)
71	4203479.001330	-	1	-	-	Top Door Deflector, 3 Wide Wrinkle Black (Ambient)
	4205152.009330	-	1	-	-	Top Door Deflector, 3 Wide Wrinkle Black (Refrigerated)
	4203479.002309	-	-	1	-	Top Door Deflector, 4 Wide Flat Black (Ambient)
	4205152.010330	-	-	1	-	Top Door Deflector, 4 Wide Wrinkle Black (Refrigerated)
72	4205153.009330	-	1	-	-	Top Retainer, 3W Wrinkle Black (Refrigerated)
	4205153.010330	-	-	1	-	Top Retainer, 4W Wrinkle Black (Refrigerated)
73	4025735.900	11	7	7	7	Trim-Lok Black (FT)
74	4025755	-	-	1	1	Validator Bezel, Mars
75	4205376.001951	-	-	1	1	Validator Mount, Lower
76	4205396.001951	-	-	1	1	Validator Mount, Upper
77	4050585	1	-	-	-	Washer, #8 External Tooth Lock
78	4207548	-	1	-	-	Cable Tie, 6-1/8" w/Hole
79	7090002.713	-	1	-	-	Clamp, 3/4 Cable
80	4060006.500	-	-	5.5	37	Gasket, 1/4x1/2 Foam
81	4203263	-	8	8	8	Foam Tape, 1/4x1/2x3"

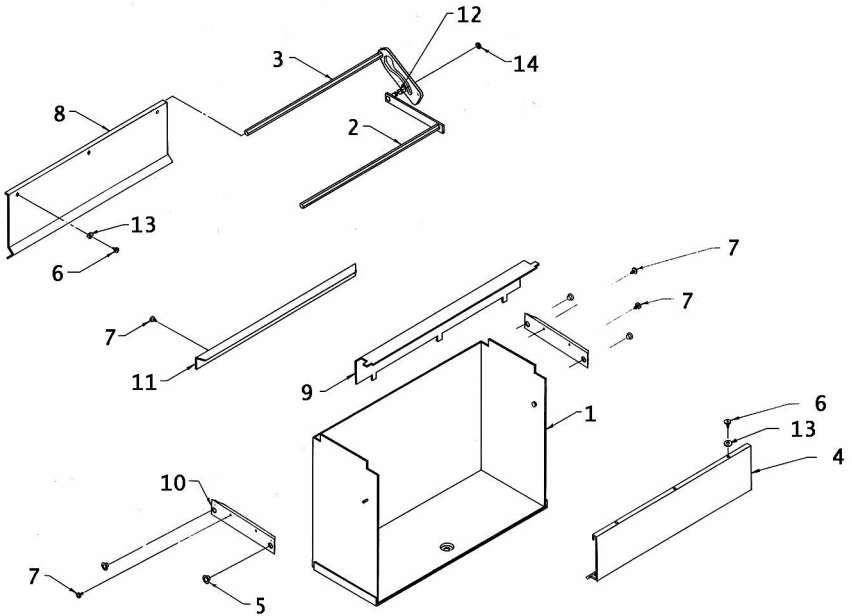
HIGH SECURITY PARTS



A11585

ITEM	PART NUMBER	3W	4W	5W	DESCRIPTION
		REF			High Security Parts, 3W
			REF		High Security Parts, 4W
				REF	High Security Parts, 5W
1	4025735.900	7	7	7	Trim-Lok Black (FT)
2	4050393	32	50	50	Bolt, 1/4-20x3/4 Carriage Head
3	4050547	32	50	50	Nut, 1/4-20 Twin Whiz
4	4202256	6	6	6	Edge Guard (FT)
5	4209845	14	14	14	Gasket Seal, Protective Window (FT)
6	4208095.003	1	-	-	Protective Window, 3W Polycarbonate
	4208095.004	-	1	-	Protective Window, 4W Polycarbonate
	4208095.005	-	-	1	Protective Window, 5W Polycarbonate
7	4208720.000301	1	1	1	Anticheat, Left Door, Red
	4208720.000305	1	1	1	Anticheat, Left Door, Light Gray
	4208720.000330	1	1	1	Anticheat, Left Door, Wrinkle Black
8	4208721.000301	1	1	1	Anticheat, Left Cabinet, Red
	4208721.000305	1	1	1	Anticheat, Left Cabinet, Light Gray
	4208721.000330	1	1	1	Anticheat, Left Cabinet, Wrinkle Black
9	4208722.000301	1	1	1	Anticheat, Right Cabinet, Red
	4208722.000305	1	1	1	Anticheat, Right Cabinet, Light Gray
	4208722.000330	1	1	1	Anticheat, Right Cabinet, Wrinkle Black
10	4208723.000301	1	1	1	Anticheat, Right Door, Red
	4208723.000305	1	1	1	Anticheat, Right Door, Light Gray
	4208723.000330	1	1	1	Anticheat, Right Door, Wrinkle Black
11	4209505.001305	1	-	-	Top Security Plate, 3W Light Gray
	4209505.001330	1	-	-	Top Security Plate, 3W Wrinkle Black
	4210081.001330	-	1	-	Top Security Plate, 4W Wrinkle Black
	4210082.001330	-	-	1	Top Security Plate, 5W Wrinkle Black

DELIVERY BOX ASSEMBLY, 2 WIDE



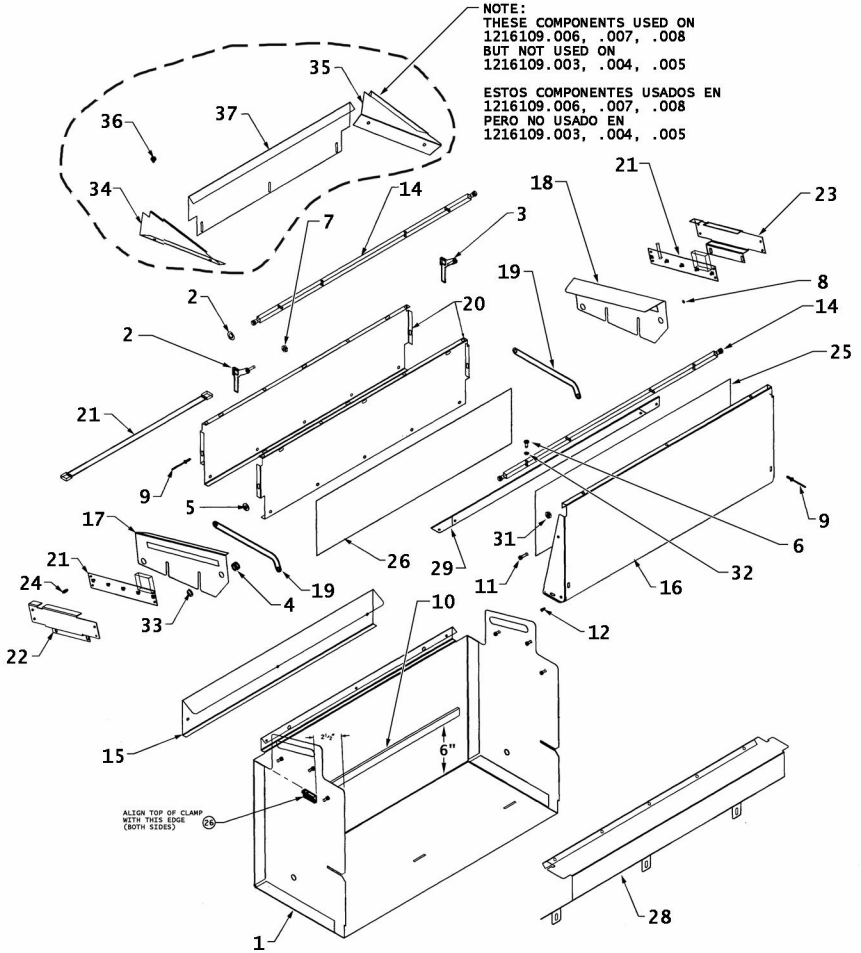
AL1584

ITEM	PART NUMBER	2W	DESCRIPTION
	1212040.001	1	Delivery Box Assembly, 2 Wide Ambient
1	1212037.009309	1	Delivery Weld, Flat Black
2	1212038.013950	1	Follower Weld, Zinc Plated
3	1212039.008950	1	Cam/Rod Weld, Zinc Plated
4	1212041.029330	1	Delivery Door Weld, 2 Wide Wrinkle Black
5	4025263	4	Bushing, Snap In Type 7 Nyliner
6	4050239	4	Screw, 8-32x3/8 Phillips Pan Head
7	4050423	6	Screw, 8-18x3/8 Phillips Pan Hd Type A
8	4203373.014330	1	Delivery Anti-Cheat, 2 Wide Wrinkle Black
9	4203377.012330	1	Delivery False Box, Wrinkle Black
10	4203379.001330	2	Delivery Mount, Wrinkle Black
11	4203436.009309	1	Rear Delivery Deflector
12	4208947	1	Delivery Bushing
13	8801011	4	Washer, #8 Flat
14	8801080	1	E-Ring, 5/16

DELIVERY BOX ASSEMBLY, NON- IVEND™

ITEM	PART NUMBER	3W	4W	4W	5W	DESCRIPTION
	1215482.003	1	-	-	-	Delivery Sub Assembly, RFS 380 3120
	1214362.004	-	1	-	-	Delivery Assembly, RFS 4120R VL
	1215482.004	-	-	1	-	Delivery Sub Assembly, RFS 480 4120 L
	1215482.005	-	-	-	1	Delivery Sub Assembly, RFS 5120 L
1	1214361.000309	1	-	-	-	Wrapper Weld, 3W
	1214361.001309	-	1	1	-	Wrapper Weld, 4W
	1214361.002309	-	-	-	1	Wrapper Weld, 5W
2	1216040	1	1	1	1	Anti-Cheat Link
3	1216040.001	1	1	1	1	Anti-Cheat Link
4	4025263.001	4	4	4	4	Bushing, Type 5 Nyliner 5/16 ID
5	4030100	4	8	8	8	Bushing, Spacer
6	4050239	10	10	10	10	Screw, 8-32x3/8 Phillips Pan Head
7	4050423	3	3	3	3	Screw, 8-18x3/8 Phillips Pan Hd Type A
8	4050511	4	4	4	4	Nut, 8-32 Two Way Lock
9	4050513	-	-	6	-	Nut, 8-32 Twin Whiz Lock
10	4050663	8	8	8	8	Rivet, 1/8x1/4
11	4202255	1	1	1	1	Gasket, 1/4x3/4 w/adhesive (FT)
12	4203386.044	2	2	2	2	Stud, 8-32x5/8 Capt
13	4205329	2	2	2	2	Arrow Clip
14	4207695.001950	2	2	2	2	Delivery Link, Plated
15	4208376.003	2	-	-	-	Delivery Shaft, 3W Zinc
	4207698.004	-	2	2	-	Delivery Shaft, 4W Plated
	4207698.005	-	-	-	2	Delivery Shaft, 5W Plated
16	4207772.000309	1	1	1	1	Side Deflector, Right Flat Black
17	4207772.001309	1	1	1	1	Side Deflector, Left Flat Black
18	4208362.000309	1	-	-	-	Wrapper Back, 3W Flat Black
	4208362.001309	-	1	1	-	Wrapper Back, 4W Flat Black
	4208362.002309	-	-	-	1	Wrapper Back, 5W Flat Black
19	4208363.000309	1	-	-	-	False Box, 3W Flat Black
	4208363.001309	-	1	1	-	False Box, 4W Flat Black
	4208363.002309	-	-	-	1	False Box, 5W Flat Black
20	4208364	1	-	-	-	Delivery Door, 3W Black Morocco Vinyl
	4208364.001	-	1	1	-	Delivery Door, 4W Black Morocco Vinyl
	4208364.002330	-	-	-	1	Delivery Door, 5W Wrinkle Black
21	4208365.000309	1	-	-	-	Door Back, 3W Flat Black
	4208365.001309	-	1	1	-	Door Back, 4W Flat Black
	4208365.002309	-	-	-	1	Door Back, 5W Flat Black
22	4208366.000309	2	-	-	-	Anti Cheat, 3W Flat Black
	4208366.001309	-	2	2	-	Anti Cheat, 4W Flat Black
	4208366.002309	-	-	-	1	Anti Cheat, 5W Flat Black
23	4210065.000330	1	-	-	-	Delivery Deflector, Wrinkle Black
	4210065.001330	-	-	1	-	Delivery Deflector, Wrinkle Black
	4210065.002330	-	-	-	1	Delivery Deflector, Wrinkle Black
24	4210076.001309	1	-	1	1	Deflector, Right Side
25	4210076.003309	1	-	1	1	Deflector, Left Side
26	8324353	8	8	8	8	Washer, 5/16 ID Flat
27	8801011	3	-	-	-	Washer, #8 Flat
28	8801080	-	4	4	4	E-Ring, 5/16

DELIVERY BOX ASSEMBLY, iVEND™



A11292

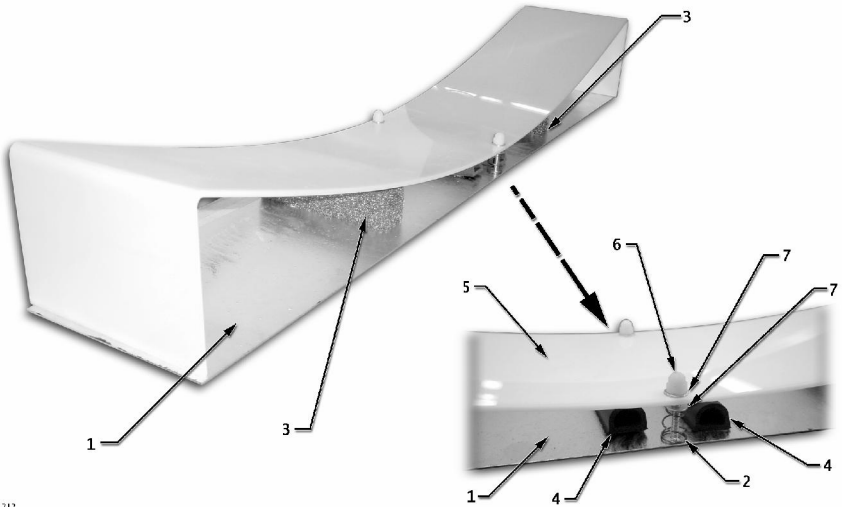
DELIVERY BOX ASSEMBLY, iVEND™

ITEM	PART NUMBER	3W	4W	5W	DESCRIPTION
	1216109.003	1	-	-	Delivery Box Assembly, RFS 3120R VL HL
	1216109.004	-	1	-	Delivery Box Assembly, RFS 4120R VL HL iVend™
	1216109.005	-	-	1	Delivery Box Assembly, RFS 5120R VL HL iVend™
	1216109.006	1	-	-	Delivery Box Assembly, RFS 380 3120 iVend™
	1216109.007	-	1	-	Delivery Box Assembly, RFS 4120 iVend™
	1216109.008	-	-	1	Delivery Box Assembly, RFS 5120 iVend™
	1216109.013	1	-	-	Delivery Box Assembly, RRF RFS 3120R 3110R 3110 VL
	1216109.014	-	1	-	Delivery Box Assembly, RRF RFS 4120R VL iVend™ Ready
	1216109.020	-	-	1	Delivery Box Assembly, RFS 5120R HL iVend™
1	1216110.003309	1	-	-	Delivery Box Weld, 3W Flat Black
	1216110.004309	-	1	-	Delivery Box Weld, 4W Flat Black
	1216110.005309	-	-	1	Delivery Box Weld, 5W Flat Black
2	1216111.001	1	1	1	Anti-Cheat Link Stake, Left

DELIVERY BOX ASSEMBLY, IVEND™

ITEM	PART NUMBER	3W	4W	5W	DESCRIPTION
3	1216111.002	1	1	1	Anti-Cheat Link Stake, Right
4	4025263.001	4	4	4	Bushing, Type 5 Nyloner 5/16 ID
5	4030100	4	8	4	Bushing, Spacer
6	4050239	13	13	13	Screw, 8-32x3/8 Phillips Pan Head
7	4050511	4	4	4	Nut, 8-32 Two Way Lock
8	4050585	4	4	4	Washer, #8 External Tooth Lock
9	4050663	8	8	8	Rivet, 1/8x1/4
10	4202255	1.5	1.5	1.5	Gasket, 1/4x3/4 w/adhesive (FT)
11	4203386.044	2	2	2	Stud, 8-32x5/8 Capt
12	4205329	2	2	2	Arrow Clip
13	4207217	2	2	2	Flat Wire Clamp
14	4207698.004	-	2	-	Delivery Shaft, 4W
14	4207698.005	-	-	2	Delivery Shaft, 5W Plated
15	4212457.003330	1	-	-	Back Delivery Deflector, 3W Wrinkle Black
	4212457.004330	-	1	-	Back Delivery Deflector, 4W Wrinkle Black
	4212457.005330	-	-	1	Back Delivery Deflector, 5W Wrinkle Black
16	4212459.003	1	-	-	Delivery Door, 3W
	4212459.004	-	1	-	Delivery Door, 4W
	4212459.005	-	-	1	Delivery Door, 5W
17	4212460.001330	1	1	1	Delivery Side Deflector, Wrinkle Black
18	4212460.002330	1	1	1	Delivery Side Deflector, Wrinkle Black
19	4212462	2	2	2	Delivery Link
20	4212463.003309	2	-	-	Delivery Anti-Cheat, 3W Flat Black
	4212463.004330	-	2	-	Delivery Anti-Cheat, 4W Wrinkle Black
	4212463.005330	-	-	2	Delivery Anti-Cheat, 5W Wrinkle Black
21	4212464	1	1	1	Delivery Sensor
22	4212563.001330	1	1	1	Sensor Mount, Wrinkle Black
23	4212563.002330	1	1	1	Sensor Mount, Wrinkle Black
24	4212636	8	8	8	Support Post
25	4212760.003	1	-	-	Vinyl Backing, 17.3x5
	4212760.004	-	1	-	Vinyl Backing, 23.16x5
	4212760.005	-	-	1	Vinyl Backing, 29x5
26	4212760.013	1	-	-	Vinyl Backing, 17.3x4.25
	4212760.014	-	1	-	Vinyl Backing, 23.16x4.25
	4212760.015	-	-	1	Vinyl Backing, 29x4.25
27	4213155.005309	-	-	1	Can Deflector, 5W Flat Black
28	4213158.005330	-	-	1	False Box, 5W Can Wrinkle Black
	4212458.003330	1	-	-	False Box, 3W Wrinkle Black
	4212458.004330	-	1	-	False Box, 4W Wrinkle Black
	4212458.005330	-	-	1	False Box, 5W Wrinkle Black
29	4213162.005330	-	-	1	Delivery Door Back, 5W Can, Wrinkle Black
	4212454.003330	1	-	-	Delivery Door Back, 3W Wrinkle Black
	4212454.004330	-	1	-	Delivery Door Back, 4W Wrinkle Black
	4212454.005330	-	-	1	Delivery Door Back, 5W Wrinkle Black
30	8324353	8	8	8	Washer, 5/16 ID Flat
31	8800956	2	-	2	Nut, 8-32 Hex w/External Lock Washer
32	8801011	3	3	3	Washer, #8 Flat
33	8801080	4	4	4	E-Ring, 5/16
34	4212742.001330	1	1	1	Deflector, Left Side, Wrinkle Black
35	4212742.002330	1	1	1	Deflector, Right Side, Wrinkle Black
36	4050420	4	4	4	Screw, 8-18x1/4 Phillips Hex Washer Hd
37	4210065.000330	1	-	-	Delivery Deflector, Wrinkle Black
	4210065.001330	-	1	-	Delivery Deflector, Wrinkle Black
	4210065.002330	-	-	1	Delivery Deflector, Wrinkle Black

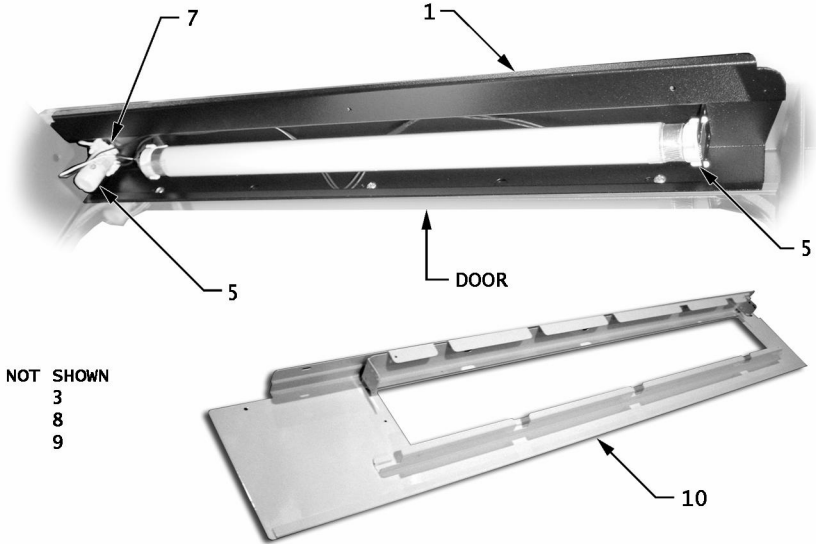
DELIVERY BOTTOM ASSEMBLY



ALL312

ITEM	PART NUMBER	QTY	DESCRIPTION
	1216340.005	1	Delivery Bottom Assembly
1	1216333.005	1	Delivery Plate Stake Assembly
2	4200106.000	2	Spring, 9/16 Recoil
3	4208243	.833	Foam Tape, 1x1 Open Cell (FT)
4	4210935	.833	Gasket, 9/16x3/4 (FT)
5	4213153.005	1	Plastic Curve, Shaker
6	4213164.008	2	Nut, 8-32 Nylon Cap Nut
7	8801011	4	Washer, #8 Flat

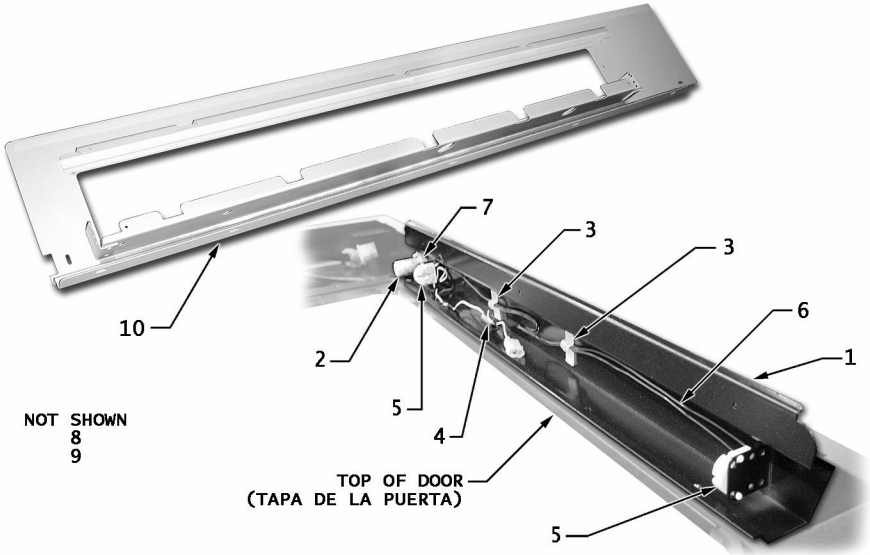
LIGHT ASSEMBLY, AMBIENT



AL1583

ITEM	PART NUMBER	2W	3W	4W	5W	QTY	DESCRIPTION
	1214635.010	1	-	-	-	-	Light Assembly, RFS 2120
	1215092.003	-	1	-	-	-	Light Assembly, RFS 3120
	1214550.014	-	-	1	-	-	Light Assembly, RFS 4120/480
	1215092.005	-	-	-	1	-	Light Assembly, RFS 5120
	1216055	-	-	-	-	1	Light Assembly, RFS 3110/4110/5110/3120/4120/5120
1	1214793.001330	1	-	-	-	-	Light Reflector Weld, 2W Wrinkle Black
	1215093.000309	-	1	-	-	-	Light Reflector Weld, 3W Flat Black
	1215093.001330	-	-	1	-	-	Light Reflector Weld, 4W Wrinkle Black
	1215093.002330	-	-	-	1	-	Light Reflector Weld, RFS 5120 Wrinkle Black
2	4033567	1	1	-	-	-	Starter, FS-2
	4033661	-	-	1	-	-	Starter, FS-25
3	4060130	1	1	1	2	-	Press Clip, 1/4"
4	4202801	1	1	1	1	1	Shield Bead
5	4207171	2	2	2	2	2	Lamp Socket
6	4208807.003	1	1	-	-	-	Harness, Lamp 2/3W
	4208807.004	-	-	1	-	-	Harness, Lamp 4W
	4208807.005	-	-	-	1	-	Harness, Lamp 5W
	4211317	-	-	-	-	1	Harness, Lamp 3/4/5W
7	4208884	1	1	1	1	-	Starter Socket
8	4050423	-	-	-	-	1	Screw, 8-18x3/8 Phillips Pan Head
9	4203464	-	-	-	-	1	Lamp Diffuser, .06x4.44x36
10	1211462.001306	-	-	-	-	1	Light Weld, White

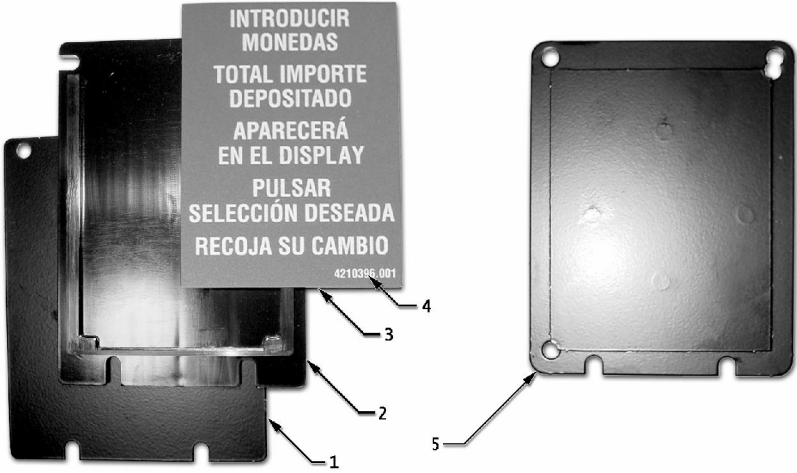
LIGHT ASSEMBLY, REFRIGERATED



A11293

ITEM	PART NUMBER	3W	4W	5W	QTY	DESCRIPTION
	1214550.006	1	-	-	-	Light Assembly, RFS 3120R HL/VL
	1214550.007	-	1	-	-	Light Assembly, RFS 4120R HL
	1214550.008	-	-	1	-	Light Assembly, RFS 5120R/580R HL
	1215999	-	-	-	1	Light Assembly, RFS 3110R/3120R 4110R/4120R 5110R/5120R VL
1	1214531.018309	1	-	-	-	Top Deflector Weld, 3W Flat Black
	1214531.019330	-	1	-	-	Top Deflector Weld, 4W Wrinkle Black
	1214531.020309	-	-	1	-	Top Deflector Weld, 5W Flat Black
2	4033567	1	-	-	-	Starter, FS-2
	4033661	-	1	1	-	Starter, FS-25
3	4060130	1	2	2	-	Press Clip, 1/4"
4	4202801	1	1	1	1	Shield Bead
5	4207171	2	2	2	2	Lamp Socket
6	4208807.003	1	-	-	-	Harness, Lamp 2/3W
	4208807.004	-	1	-	-	Harness, Lamp 4W
	4208807.005	-	-	1	-	Harness, Lamp 5W
	4211317	-	-	-	1	Harness, Lamp 3/4/5W
7	4208884	1	1	1	-	Starter Socket
8	4050423	-	-	-	1	Screw, 8-18x3/8 Phillips Pan Head
9	4205101	-	-	-	1	Light Diffuser, .06x3.94x36
10	1211462.007306	-	-	-	1	Light Weld, UL White

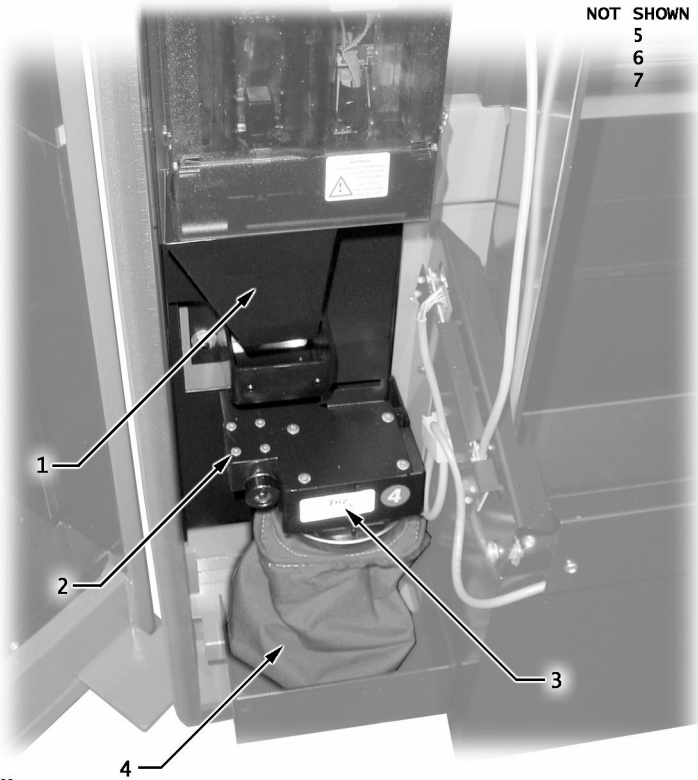
INSTRUCTION INSERT



A11299

ITEM	PART NUMBER	QTY	QTY	QTY	QTY	QTY	QTY	QTY	QTY	DESCRIPTION
	1215919.001	1	-	-	-	-	-	-	-	Instruction Insert, Spanish
	1215919.003	-	1	-	-	-	-	-	-	Instruction Insert, English
	1215919.012	-	-	1	-	-	-	-	-	Instruction Insert, Portuguese
	1215919.009	-	-	-	1	-	-	-	-	Instruction Insert, Wittern Logo
	1215919.006	-	-	-	-	1	-	-	-	Instruction Insert, French
	1215919.007	-	-	-	-	-	1	-	-	Instruction Insert, Dutch
	1215919.008	-	-	-	-	-	-	1	-	Instruction Insert, Blank
1	4201907.001309	1	1	1	1	1	1	1	-	Validator Plate, Flat Black
2	4209639	1	1	1	1	1	1	1	-	Validator Filler
3	4209656.001309	1	1	1	1	1	1	1	-	POP Plate, Flat Black
4	4210396.001	1	-	-	-	-	-	-	1	Filler Label, Spanish
	4210396.007	-	1	-	-	-	-	-	1	Filler Label, English
	4210396.013	-	-	1	-	-	-	-	1	Filler Label, Portuguese
	4210396	-	-	-	1	-	-	-	1	Filler Label, Wittern
	4210396.002	-	-	-	-	1	-	-	1	Filler Label, French
	4210396.003	-	-	-	-	-	1	-	1	Filler Label, Dutch
	4210396.004	-	-	-	-	-	-	-	1	Filler Label, German
5	1214495.003309	-	-	-	-	-	-	-	1	Validator Filler Weld, Flat Black
	1214495.004309	-	-	-	-	-	-	-	1	Validator Filler Weld, Flat Black

MECH MOUNT RIVET ASSEMBLY, HONOR GUARD

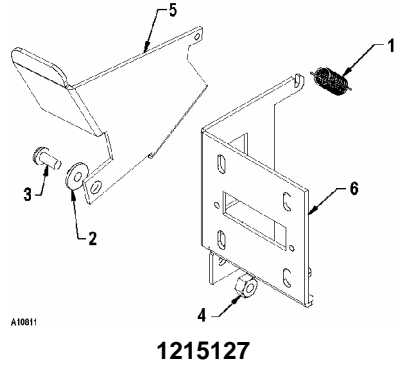
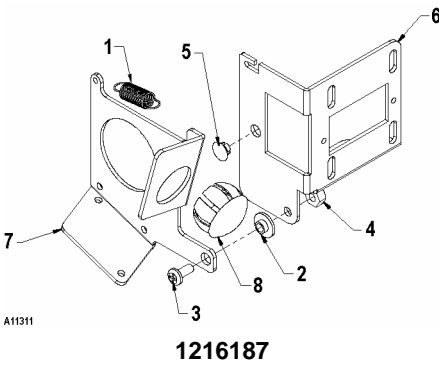


NOT SHOWN
5
6
7

A11300

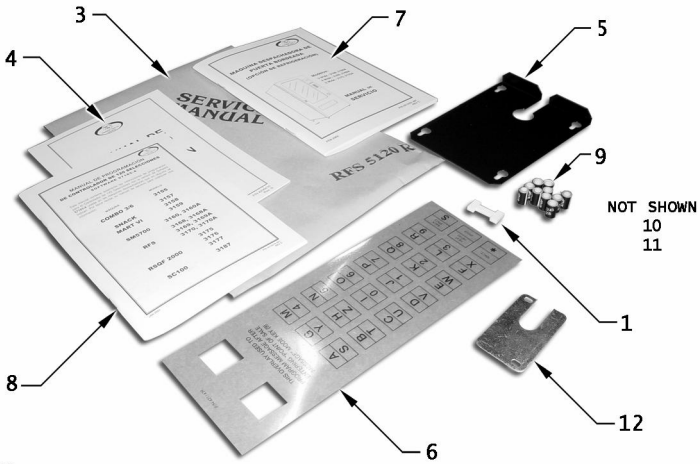
ITEM	PART NUMBER	QTY	QTY	QTY	QTY	QTY	DESCRIPTION
	1215072	1	-	-	-	-	Mech Mount Assembly
	1216127	-	1	-	-	-	Mech Mount Assembly, Honor Gard™ (6)
	1216127.003	-	-	1	-	-	Mech Mount Assembly, Honor Gard™ Centr
	1216127.004	-	-	-	1	-	Mech Mount Assembly, Honor Gard™ Refco (7)
	1216127.007	-	-	-	-	1	Mech Mount Assembly, Honor Guard
1	1214833.001309	1	-	-	-	-	Coin Mech Mount Weld, Wrinkle Black
	1216126.000330	-	1	1	1	1	Coin Mech Mount Weld, Wrinkle Black
2	4050667	2	4	4	4	4	Pop Rivet, 1/8x1/4 Aluminum
3	4212561	-	1	-	-	-	Honor Gard™ Change Housing, Left Mount
	4212561.002	-	-	1	-	-	Honor Gard™ Change Housing, Left Mount
	4212561.003	-	-	-	1	-	Honor Gard™ (7) Housing, Left Mount
	4212730	-	-	-	-	1	Honor Gard™ Housing
4	4212562	-	1	-	-	-	Honor Gard™ Bag (6)
	4212562.009	-	-	1	-	-	Honor Gard™ Bag (Centr)
	4212562.010	-	-	-	1	-	Honor Gard™ Bag (7)
	4212562.016	-	-	-	-	1	Honor Gard™ Bag (4)
5	4212562.xxx	-	A/R	A/R	A/R	A/R	Honor Gard™ Route Key
6	4212562.xxx	-	A/R	A/R	A/R	A/R	Honor Gard™ Register Key
7	4210216	1	-	-	-	-	Latch

COIN RETURN LEVER MECHANISM



ITEM	PART NUMBER	QTY	QTY	DESCRIPTION
	1216187	1	-	Coin Return Lever Mechanism
	1215127	-	1	Coin Release Assembly (RFS480R VL only)
1	4021020	1	1	Spring, 9/32x1
2	4030100	1	1	Bushing, Spacer
3	4050240	1	1	Screw, 8-32x3/8 Phillips Pan Head Machine
4	4050511	1	1	Nut, 8-32 Two Way Lock
5	4209184	1	-	Snap Plug
6	4212653.000950	1	-	Coin Return Mount, Plated
	4208727.001950	-	1	Coin Chute Mount
7	4212655.000950	1	-	Coin Return Lever, Plated
	4208726.001950	-	1	Coin Return Lever
8	4212657	1	-	Tubing Hole Plug

SERVICE PACKAGE



ALL304

ITEM	PART NUMBER	QTY	DESCRIPTION
1	4203640	A/R	Interlock Cheat
2	4060638	A/R	Plastic Bag
3	4020697	A/R	Envelope, Service Manual
4	4206816	A/R	Safety Manual
5	4208450.001330	A/R	Access Door, Wrinkle Black
6	4211439	A/R	Keypad Overlay
7	4212301	A/R	Service Manual, RFS (Model 3168, 3169, 3170)
	4212301.001	A/R	Service Manual, RFS Spanish (Model 3168, 3169, 3170)
8	4212619	A/R	Programming Manual, 120S
	4212619.001	A/R	Programming Manual, 120S Spanish
	4214018	A/R	Programming Manual, SMIV Portuguese
9	4203793.000	A/R	Label, Zero
	4203793.001	A/R	Label, \$1 Dollar
	4203793.002	A/R	Label, \$2 Dollar
	4203793.003	A/R	Label, \$3 Dollar
	4203793.004	A/R	Label, \$4 Dollar
	4203793.005	A/R	Label, \$5 Dollar
	4203793.006	A/R	Label, \$6 Dollar
	4203793.007	A/R	Label, \$7 Dollar
	4203793.008	A/R	Label, \$8 Dollar
	4203793.009	A/R	Label, \$9 Dollar
	4213143.002	A/R	Label, Scroll 05/30 -1.05/1.45
	4213143.003	A/R	Label, Scroll 1.5/2.20 (.05)
	4213143.004	A/R	Label, Scroll 2.25/2.95 (.05)
	4213143.005	A/R	Label, Scroll 3.00/3.70 (.05)
	4213143.018	A/R	Label, Scroll 9.0/16.0 MEX (.5)
	4213143.021	A/R	Label, Scroll 2.50/3.90 (.10)
10	4202750	A/R	Warranty Card
11	4209033	A/R	Door Decal
12	4210798	A/R	Power Cable Plate

The contents of this publication are presented for informational purposes only, and while every effort has been made to ensure their accuracy, they are not to be construed as warranties or guarantees, express or implied, regarding the products or services described herein or their use or applicability. We reserve the right to modify or improve the designs or specifications of such products at any time without notice.



VendNet™
 165 North 10th Street
 Waukee, Iowa 50263
 United States of America



	USA & Canada	International
Service	(800) 833-4411	(515) 274-3641
Parts	(888) 259-9965	
Email	vendnet@vendnetusa.com	
Web Site	www.vendnetusa.com	