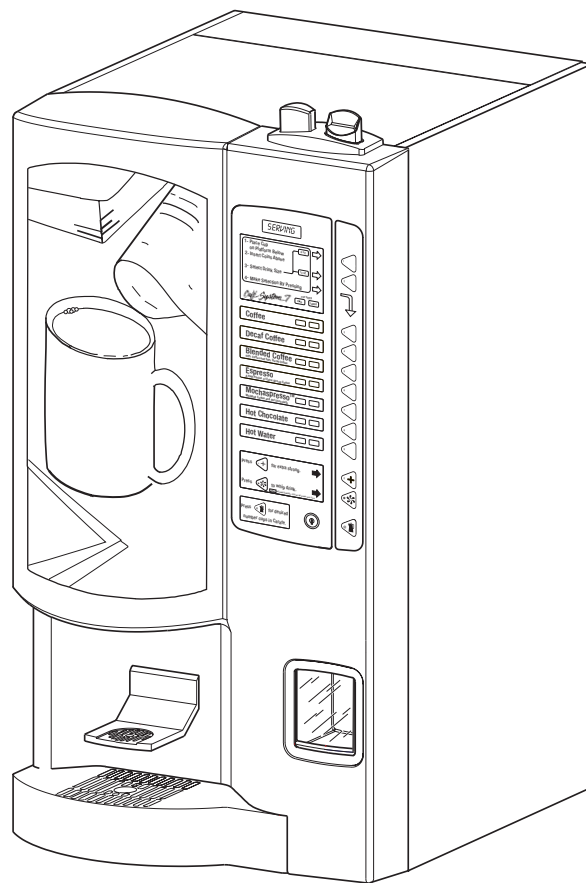


Model 640 - Fresh Brew
Model 641 - Freeze Dry

Café System 7



640 641

PARTS MANUAL

12955 Enterprise Way
Bridgeton, Missouri 63044-1200
(314) 298-3500

6400228

Copyright © 3-99



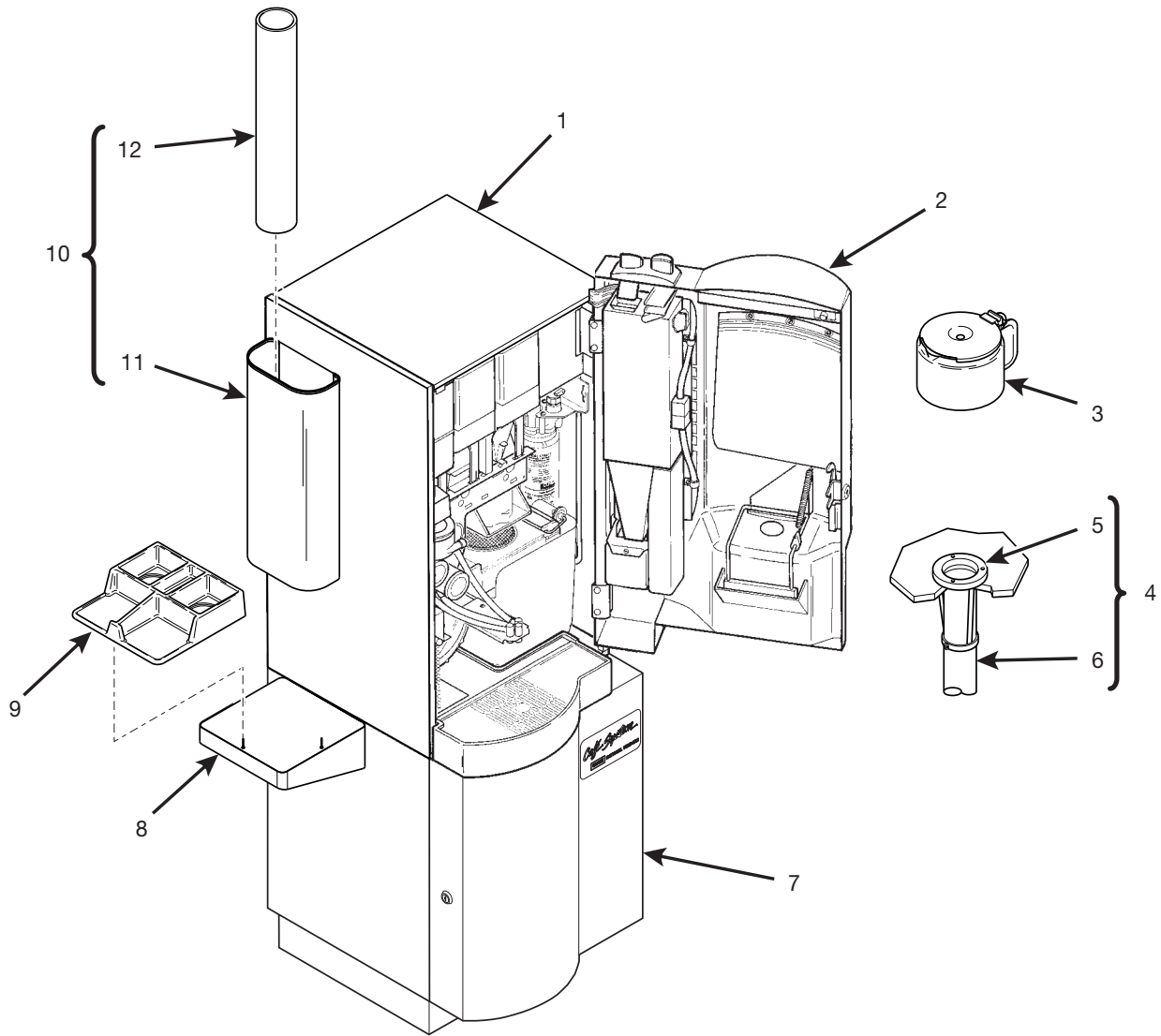
LIST OF FIGURES

Figure.....	Page
1. Café System 7 Merchandiser	2
2. Door Assembly Part 1	4
3. Door Assembly Part 2	6
8. Coin Insert Assembly	12
9. Filler Plate (No Coin Option)	14
10. Cup Platform Assembly	15
11. Cabinet Assembly - Top	16
12. . Interlock and Float Switches	18
13. Brewer Assembly	20
14. Idler Axle and Roller Assemblies	22
15. Carrier and Cam Follower Assembly	24
16. Canister/Product Dispensing System	26
17. Motor and Plate Assemblies - Canister Drive	28
18. Vent System	30
19. Blower Assembly	32
20. Canister Assembly - Freeze Dried Coffee	34
21. Canister Assembly - Preground Coffee	36
22. Canister Assembly - No Sleeve	38
23. Canister Assembly - Chocolate	40
24. Water Tank Assembly	42
25. Float Assembly - Water Tank	44
26. Power Panel Assemblies - U.K. and U.S.	46
27. Power Panel Assembly - France and Germany	48
28. Cuno Water Valve and Filter Option	50
29. Everpure Water Valve and Filter Option	52
30. Water Valve - Without Filter Option	54
31. Brewer Drive and Pump Assemblies	56
32. Brewer Pump Assemblies	58
33. Filter Paper Housing Assembly	60
34. Base/Storage Cabinet Options - Part 1	62
35. Base/Storage Cabinet Options - Part 2	64
36. Doors - Base Storage Cabinets	66
37. Labels - Part 1	68
38. Labels - Part 2	70
39. Bottled Water Pump Option	72
40. Product/Water Distribution Components - Part 1	74
41. Product/Water Distribution Components - Part 2	76
42. Wiring Harnesses	78



LIST OF TABLES

TABLE	PAGE
1. CAFÉ SYSTEM 7 MERCHANDISER	3
2. DOOR ASSEMBLY PART 1	5
3. DOOR ASSEMBLY PART 2	7
4. BAG ASSEMBLY - DOMESTIC	8
5. BAG ASSEMBLY - FRANCE	9
6. BAG ASSEMBLY - GERMANY	10
7. BAG ASSEMBLY - U.K.	11
8. COIN INSERT ASSEMBLY	13
9. FILLER PLATE (NO COIN OPTION)	14
10. CUP PLATFORM ASSEMBLY	15
11. CABINET ASSEMBLY - TOP	17
12. INTERLOCK AND FLOAT SWITCHES	19
13. BREWER ASSEMBLY	21
14. IDLER AXLE AND ROLLER ASSEMBLIES	23
15. CARRIER AND CAM FOLLOWER ASSEMBLY	25
16. CANISTER/PRODUCT DISPENSING SYSTEM	27
17. MOTOR AND PLATE ASSEMBLIES - CANISTER DRIVE	29
18. VENT SYSTEM	31
19. BLOWER ASSEMBLY	33
20. CANISTER ASSEMBLY - FREEZE DRIED COFFEE	35
21. CANISTER ASSEMBLY - PREGROUND COFFEE	37
22. CANISTER ASSEMBLY - NO SLEEVE	39
23. CANISTER ASSEMBLY - CHOCOLATE	41
24. WATER TANK ASSEMBLY	43
25. FLOAT ASSEMBLY - WATER TANK	45
26. POWER PANEL ASSEMBLIES - U.K. AND U.S.	47
27. POWER PANEL ASSEMBLY - FRANCE AND GERMANY	49
28. CUNO WATER VALVE AND FILTER OPTION	51
29. EVERPURE WATER VALVE AND FILTER OPTION	53
30. WATER VALVE - WITHOUT FILTER OPTION	55
31. BREWER DRIVE AND PUMP ASSEMBLIES	57
32. BREWER PUMP ASSEMBLIES	59
33. FILTER PAPER HOUSING ASSEMBLY	61
34. BASE/STORAGE CABINET OPTIONS - PART 1	63
35. BASE/STORAGE CABINET OPTIONS - PART 2	65
36. DOORS - BASE STORAGE CABINETS	67
37. LABELS - PART 1	69
38. LABELS - PART 2	71
39. BOTTLED WATER PUMP OPTION	73
40. PRODUCT/WATER DISTRIBUTION COMPONENTS - PART 1	75
41. PRODUCT/WATER DISTRIBUTION COMPONENTS - PART 2	77



640p0106

Figure 1. Café System 7 Merchandiser



TABLE 1. CAFÉ SYSTEM 7 MERCHANDISER

INDEX	PART NUMBER	DESCRIPTION	QTY
-	-	CAFE SYSTEM 7 MERCHANDISER	1
1	-	CABINET ASSEMBLY (SEE FIGURE 11 FOR DETAILS)	1
2	-	DOOR ASSEMBLY (SEE FIGURES 2 AND 3 FOR DETAILS)	1
3	6400826	CARAFE	OPT
4	6400841	CUP DISPENSER - ELEVATED - 5/11 OZ FOAM CUPS (INCLUDES INDEX ITEM 5 AND FOAM CUP DISPENSER ITEM 6)	OPT
	6400843	CUP DISPENSER - ELEVATED - 5/11 OZ PAPER CUPS (INCLUDES INDEX ITEM 5 AND PAPER CUP DISPENSER, ITEM 6)	
5	6400035	TRIM COLLAR - 5/11 OZ CUP -DISPENSING	OPT
6	6400033	DISPENSER - PAPER CUP - ELEVATED FEED	OPT
	6400031	DISPENSER - FOAM CUP - ELEVATED FEED	
7	-	CABINET - BASE - STORAGE (SEE FIGURES 34 AND 35 FOR DETAILS)	-
8	6400094	SHELF ASSEMBLY - CONDIMENT SUPPORT	OPT
9	6400093	CONDIMENT TRAY	OPT
10	6400816	CUP DISPENSER WRAPPER WITH TWO SMALL CUP DISPENSERS (INCLUDES ITEMS 11 AND TWO SMALL CUP DISPENSERS, ITEM 12)	OPT
	6400817	CUP DISPENSER WRAPPER WITH TWO LARGE CUP DISPENSERS (INCLUDES ITEMS 11 AND TWO LARGE CUP DISPENSERS, ITEM 12)	
	6400818	CUP DISPENSER WRAPPER WITH LARGE AND SMALL CUP DISPENSERS (INCLUDES ITEMS 11, AND 12)	
	6400819	CUP DISPENSER WRAPPER (INCLUDES ITEM 11)	
11	6400100	WRAPPER ASSEMBLY	OPT
12	6400025	DISPENSER - CUP - SMALL - GRAVITY FEED	OPT
	6400026	DISPENSER - CUP - LARGE - GRAVITY FEED	
-	-	BOTTLED WATER PUMP PACKAGE (SEE FIGURE 39. FOR DETAILS)	OPT
-	-	WATER/PRODUCT DISTRIBUTION COMPONENTS (SEE FIGURE 40. FOR DETAILS)(SEE FIGURE 41. FOR DETAILS)	-
-	-	WIRING HARNESSSES (SEE FIGURE 42 FOR DETAILS)	-

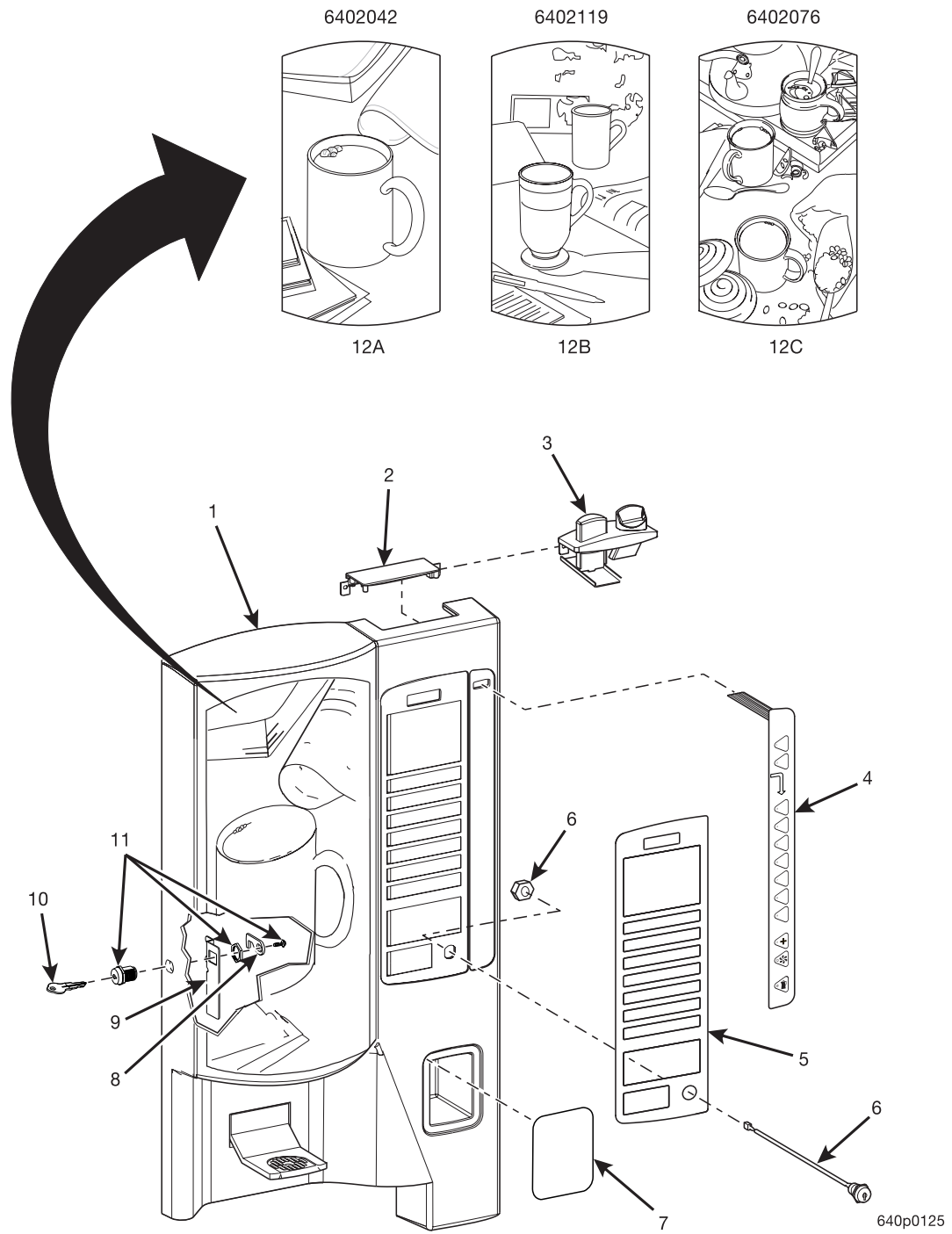
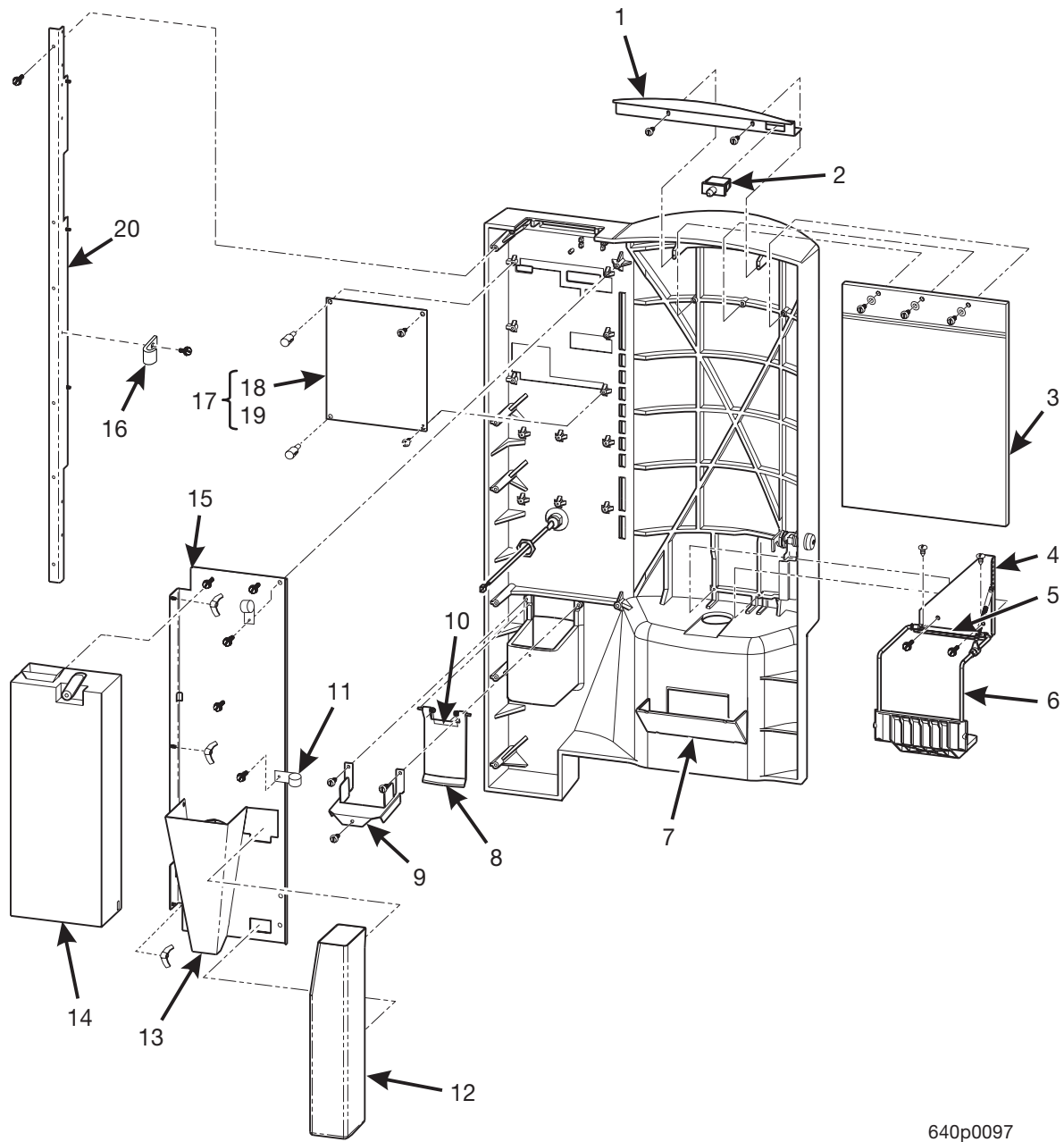


Figure 2. Door Assembly Part 1



TABLE 2. DOOR ASSEMBLY PART 1

INDEX	PART NUMBER	DESCRIPTION	QTY
-	6402051	DOOR ASSEMBLY - GREY - COMMON	1
1	6402052	DOOR - CAFE SYSTEM 7	1
2	6402024	FILLER PLATE INSTALLATION - NO COIN OPTION (SEE FIGURE 9. FOR DETAILS) (USED TO COVER COIN INSERT CAVITY WHEN COIN OPTION IS NOT USED)	OPT
3	6402055	COIN INSERT ASSEMBLY (SEE FIGURE 8. FOR DETAILS)	OPT
4	6402046	KEYPAD ASSEMBLY - MEMBRANE SWITCH	1
5	6402041	OVERLAY MENU	1
6	6402044	KEY SWITCH ASSEMBLY - CARAFE FUNCTION	1
7	6402043	COVER PLATE (USED WITH NO COIN OPTION)	1
8	6401053	CAM - DOOR LOCK	1
9	6401030	STRIKE - DOOR	1
10	2221920	KEY - DOOR LOCK	1
11	6401035	LOCK - DOOR - TTC	1
12	6402042	DISPLAY - PHOTO - P.O.P.	OPT
	6402119	DISPLAY - PHOTO - P.O.P.	
	6402076	P.O.P. - PHOTO - HDC DOOR	



640p0097

Figure 3. Door Assembly Part 2



TABLE 3. DOOR ASSEMBLY PART 2

INDEX	PART	DESCRIPTION	QTY
1	6402014	ANGLE BRACKET- MODE SWITCH	1
2	1401110	MODE SWITCH	1
3	-	PLASTIC BAG ASSEMBLY (SEE TABLES 4 - 7 FOR DETAILS)	1
4	6402013	BRACKET - SPRING - CUP PLATFORM	1
5	6402025	HINGE PLATE - CUP PLATFORM	1
6	6402010	CUP PLATFORM ASSEMBLY	1
7	6402009	SHIELD - CUP PLATFORM	1
8	6402057	GATE - COIN RETURN CUP (NOT USED WITH NO COIN OPTION)	OPT
9	6402060	PAYOUT CHUTE - COIN (NOT USED WITH NO COIN OPTION)	OPT
10	6402058	SPRING - COIN CUP (NOT USED WITH NO COIN OPTION)	OPT
11	1452139	RETAINER - HARNESS (NOT USED WITH NO COIN OPTION)	OPT
12	6402065	COIN BOX ASSEMBLY (NOT USED WITH NO COIN OPTION)	OPT
13	6402033	RETURN CHUTE ASSEMBLY (NOT USED WITH NO COIN OPTION)	OPT
14	6400002	COIN CHANGER - MARS TRC6010XV - 24VDC (NOT USED WITH NO COIN OPTION)	OPT
	6400003	COIN CHANGER - COINCO 9302LF - 24 VDC (NOT USED WITH NO COIN OPTION)	
15	6402106	WELD ASSEMBLY - MONETARY PLATE	1
16	2342315	CLIP - WIRE HARNESS	2
17	6402053	CONTROLLER - PCB AND EPROM (INCLUDES INDEX ITEMS 18 AND 19)	1
18	6406014	IC ASSEMBLY - 640.02	1
19	6402094	PCB ASSEMBLY - DOOR CONTROLLER	1
20	6402066	HINGE BAR AND STUD ASSEMBLY	1



TABLE 4. BAG ASSEMBLY - DOMESTIC

PART	DESCRIPTION	QTY
6400021	PLASTIC BAG ASSEMBLY - DOMESTIC (INCLUDES ALL ITEMS BELOW)	1
1300018	BAG PLASTIC	1
6237117	REMOVAL TOOL - IMPELLER	1
6237347	VINYL CAP	3
6400124	INSERT SET - SINGLE CUP - WHITENER - ENGLISH	1
6400125	INSERT SET - DUAL CUP WHITENER - ENGLISH	1
6400126	SETUP GUIDE - CS 7	1
6400127	OPERATIONS GUIDE - CS7	1
6400129	WIRING DIAGRAM - DOMESTIC	1
6400138	INSERT SET - DUAL CUP - ENGLISH	1
6400139	INSERT SET - SINGLE CUP - ENGLISH	1
6400144	SUPPLEMENT - SETUP GUIDE - 64000126	1
6401064	GASKET - FOAM	1
6401069	LABEL - PRICE AND CUP SIZE	1
6401103	SUPPLEMENT - CS7 OPERATION GUIDE	1
6402080	LABEL - MENU AND INSTRUCTIONS - ENGLISH	1
6408139	NUT AND FERRULE ASSEMBLY - BRASS	1
6408140	TUBE - 9082699 - 1/4 OD X 2.00 LG	1
6408141	FITTING - PI - 211208-S	1
6408142	LOCKING CLIP - PI - C11808 - R (LC140)	1
6408143	LOCKING CLIP - PI - C1812R (LC380)	1



TABLE 5. BAG ASSEMBLY - FRANCE

PART NUMBER	DESCRIPTION	QTY
6410001	PLASTIC BAG ASSEMBLY - FRANCE (INCLUDES ALL ITEMS BELOW)	1
1300018	BAG PLASTIC	1
6237117	REMOVAL TOOL - IMPELLER	1
6237347	VINYL CAP	3
6400072	LABEL - LOW PRICE AND CUP SIZE - FRENCH	1
6400073	LABEL - MEDIUM PRICE AND CUP SIZE - FRENCH	1
6400074	LABEL - HIGH PRICE AND CUP SIZE - FRENCH	1
6400123	C.E. SPECIFICATION SHEET	1
6400126	SETUP GUIDE - CS 7	1
6400127	OPERATIONS GUIDE - CS7	1
6400130	WIRING DIAGRAM - CAFE SYSTEM 7 GERMANY/FRANCE	1
6400134	INSERT SET - DUAL CUP - WHITENER - FRENCH	1
6400135	INSERT SET - SINGLE CUP - WHITENER - FRENCH	1
6400142	INSERT SET - DUAL CUP - FRENCH	1
6400143	INSERT SET - SINGLE CUP - FRENCH	1
6400144	SUPPLEMENT - SETUP GUIDE - 64000126	1
6401064	GASKET - FOAM	1
6402082	LABEL - MENU AND INSTRUCTIONS - FRENCH	1
6408139	NUT AND FERRULE ASSEMBLY - BRASS	1
6408140	TUBE - 9082699 - 1/4 OD X 2.00 LG	1
6408141	FITTING - PI - 211208-S	1
6408142	LOCKING CLIP - PI - C11808 - R (LC140)	1
6408143	LOCKING CLIP - PI - C1812R (LC380)	1



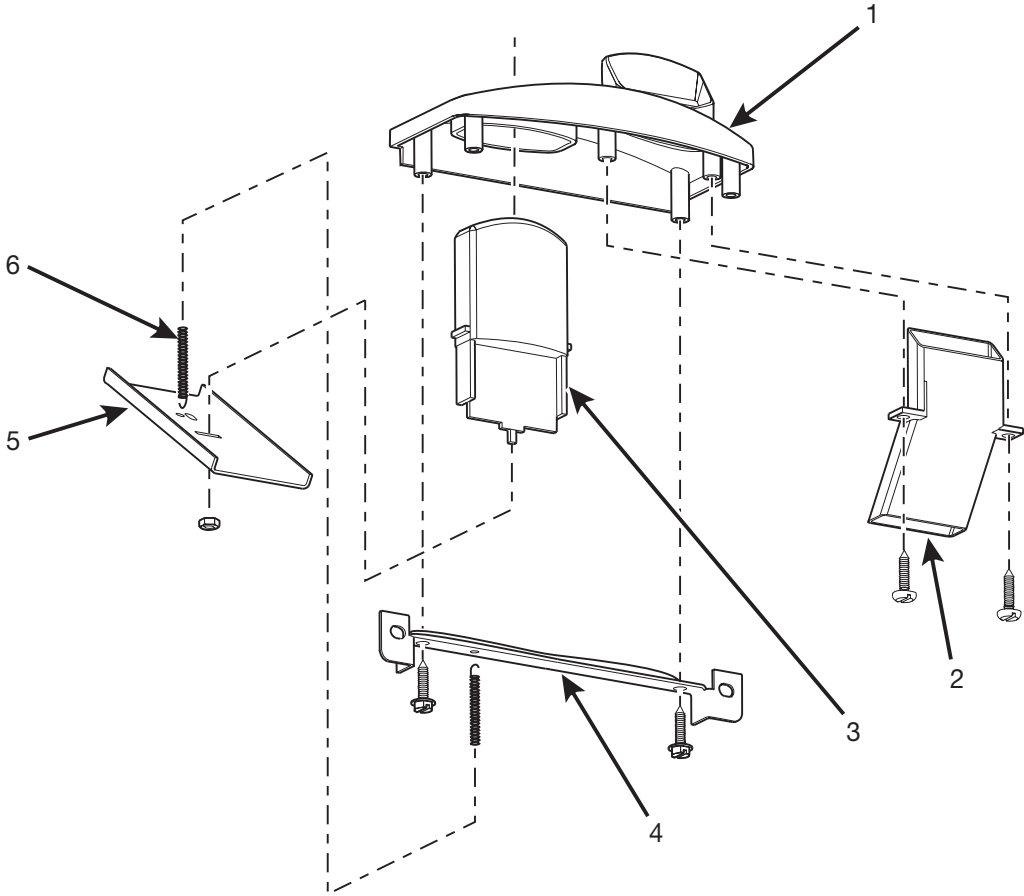
TABLE 6. BAG ASSEMBLY - GERMANY

PART NUMBER	DESCRIPTION	QTY
6400051	PLASTIC BAG ASSEMBLY - GERMANY (INCLUDES ALL ITEMS BELOW)	
1300018	BAG PLASTIC	1
6237117	REMOVAL TOOL - IMPELLER	1
6237347	VINYL CAP	3
6400066	LABEL - PRICE AND CUP SIZE - GERMAN	1
6400067	LABEL - PRICE AND CUP SIZE - GERMAN	1
6400070	INSTRUCTIONS SHEET - PAPER ROLL/WASHER	1
6400123	C.E. SPECIFICATION SHEETY	1
6400126	SETUP GUIDE - CS 7	1
6400127	OPERATIONS GUIDE - CS7	1
6400130	WIRING DIAGRAM - CAFE SYSTEM 7 -GERMANY/FRANCE	1
6400132	INSERT SET - DUAL CUP -WHITENER - GERMAN	1
6400133	INSERT SET - DUAL CUP - WHITENER - GERMAN	1
6400140	INSERT SET - DUAL CUP - GERMAN	1
6400141	INSERT SET - SINGLE CUP - GERMAN	1
6400144	SUPPLEMENT - SETUP GUIDE - 64000126	1
6401064	GASKET - FOAM	1
6401103	SUPPLEMENT - CS7 OPERATION GUIDE	1
6402081	LABEL - MENU AND INSTRUCTIONS - GERMAN	1
6404064	WASHER - FLAT - NYLON	1
6408139	NUT AND FERRULE ASSEMBLY - BRASS	1
6408140	TUBE - 9082699 - 1/4 OD X 2.00 LG	1
6408141	FITTING - PI - 211208-S	1
6408142	LOCKING CLIP - PI - C11808 - R (LC140)	1
6408143	LOCKING CLIP - PI - C1812R (LC380)	1



TABLE 7. BAG ASSEMBLY - U.K.

PART NUMBER	DESCRIPTION	QTY
6400050	BAG PLASTIC ASSEMBLY - U.K. (INCLUDES ALL ITEMS BELOW)	1
1300018	BAG PLASTIC	1
6401064	GASKET - FOAM	1
6237063	NOZZLE - DISPENSING - CANISTER	1
6237080	NOZZLE - DISPENSING - FD COFFEE	1
6237117	REMOVAL TOOL - IMPELLER	1
6237347	VINYL CAP	3
6400042	INSTRUCTION SHEET - PAPER ROLL/TEA-UK	1
6400059	LABEL - PRICE AND CUP SIZES - UK	1
6400061	LABEL - PRICE-16P TO 39P- UK	1
6400123	C.E. SPECIFICATION SHEET	1
6400124	INSERT SET - SINGLE CUP - WHITENER - ENGLISH	1
6400125	INSERT SET - DUAL CUP WHITENER - ENGLISH	1
6400126	SETUP GUIDE - CS 7	1
6400127	OPERATIONS GUIDE - CS7	1
6400131	WIRING DIAGRAM - CAFE SYSTEM 7 - UK	1
6400138	INSERT SET - DUAL CUP - ENGLISH	1
6400139	INSERT SET - SINGLE CUP - ENGLISH	1
6400144	SUPPLEMENT - SETUP GUIDE - 64000126	1
6401103	SUPPLEMENT - CS7 OPERATION GUIDE	1
6402080	LABEL - MENU AND INSTRUCTIONS - ENGLISH	1
6404064	WASHER - FLAT - NYLON	1
6404064	WASHER - FLAT - NYLON	
6408139	NUT AND FERRULE ASSEMBLY - BRASS	1



640p0016

Figure 8. Coin Insert Assembly



TABLE 8. COIN INSERT ASSEMBLY

INDEX	PART	DESCRIPTION	QTY
-	6402055	COIN INSERT ASSEMBLY- GRAY - DOM	1
	6402054	COIN INSERT ASSEMBLY- GRAY - INTERNATIONAL	
1	6402021	INSERT - COIN (DOMESTIC)	1
	6402022	INSERT - COIN (INTERNATIONAL)	
2	6402030	CHUTE - COIN INSERT	1
3	6402027	BUTTON - COIN RETURN	1
4	6402031	RETAINER - ANGLE COIN	1
5	6402035	LEVER - COIN RETURN	1
6	5560068	SPRING - COIN LEVER RETURN	1



TABLE 9. FILLER PLATE (NO COIN OPTION)

INDEX	PART	DESCRIPTION	QTY
1	6402024	PLATE - FILLER - DOOR	1
2	6402031	RETAINER - COIN ANGLE	1

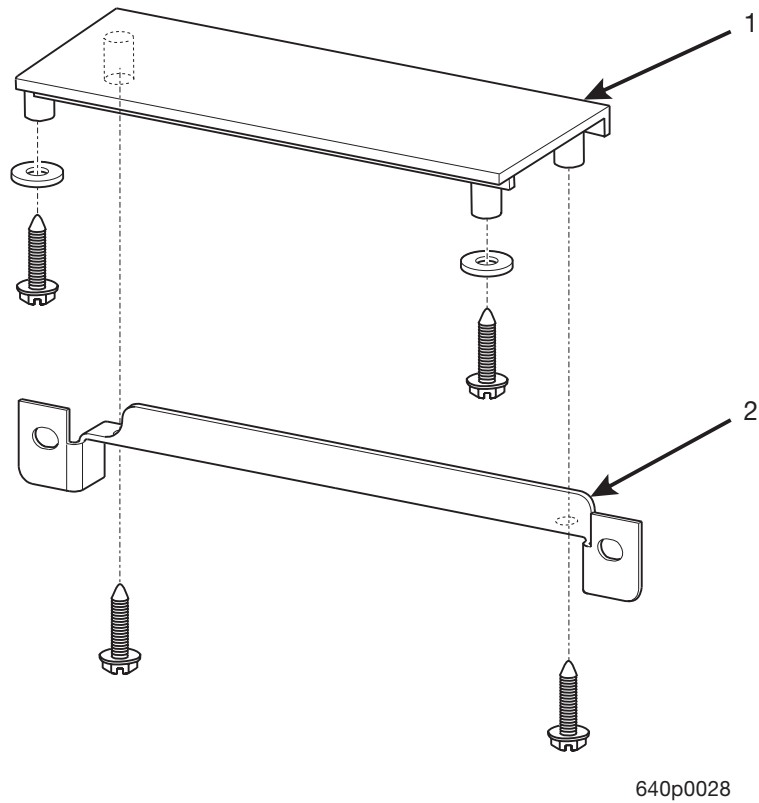
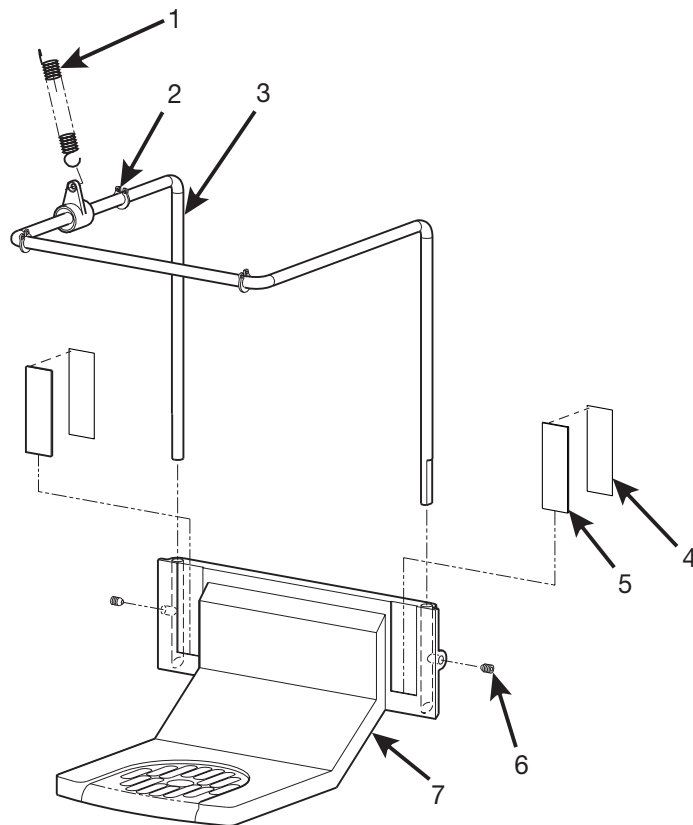


Figure 9. Filler Plate (No Coin Option)



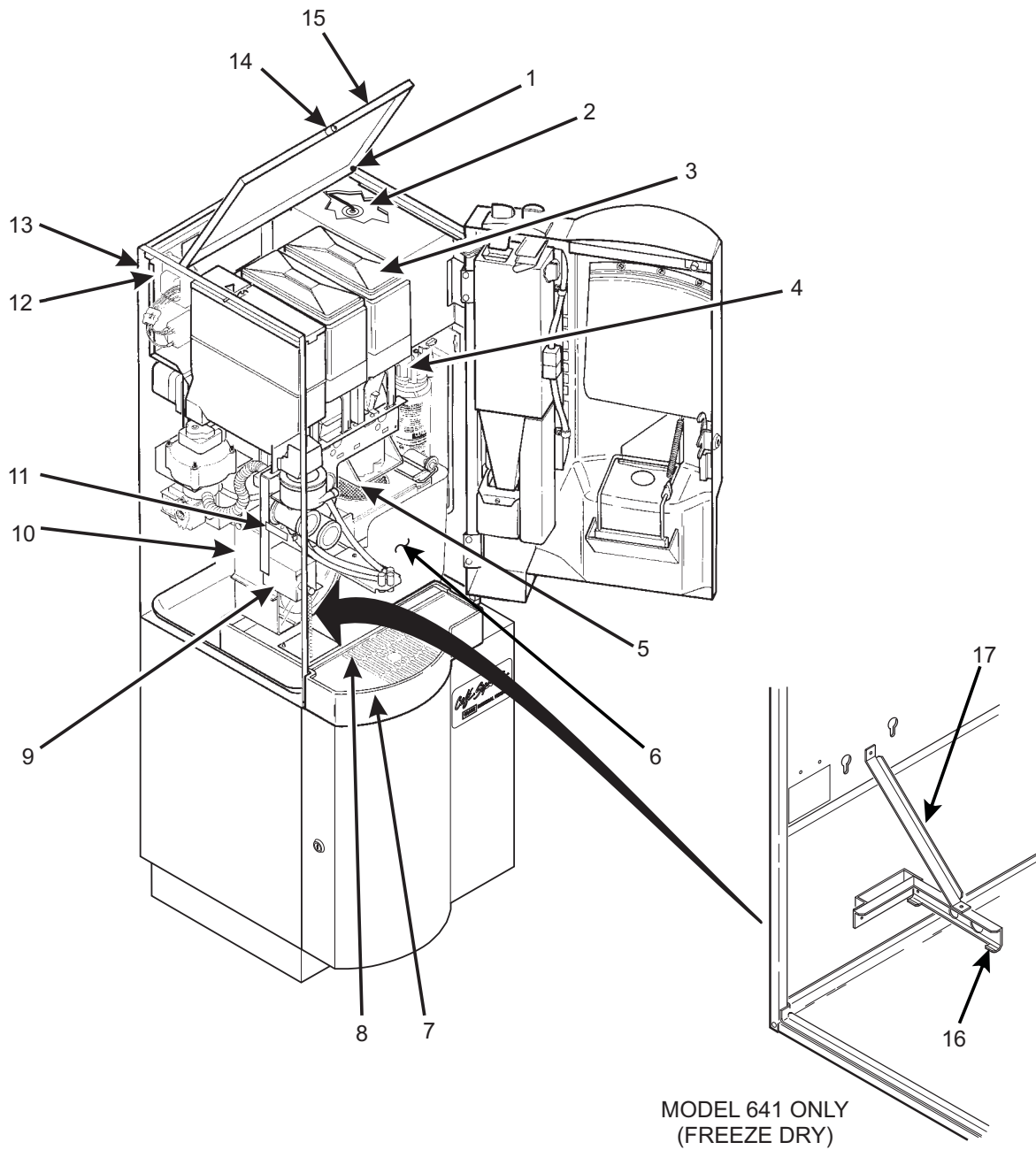
TABLE 10. CUP PLATFORM ASSEMBLY

INDEX	PART	DESCRIPTION	QTY
-	6402010	CUP PLATFORM ASSEMBLY	1
1	6402056	SPRING - CUP PLATFORM	1
2	6402070	RETAINING RING - SELF LOCKING	3
3	6442003	SUPPORT - CUP PLATE - WITH TOGGLE	1
4	3101091	PLATE - SILICONE RUBBER	2
5	6402048	PLATE - RETAINER	2
6	6104493	SETSCREW - # 6-32 X 3/16	2
7	6402011	PLATFORM - CUP SUPPORT	1



640p0017

Figure 10. Cup Platform Assembly



MODEL 641 ONLY
(FREEZE DRY)

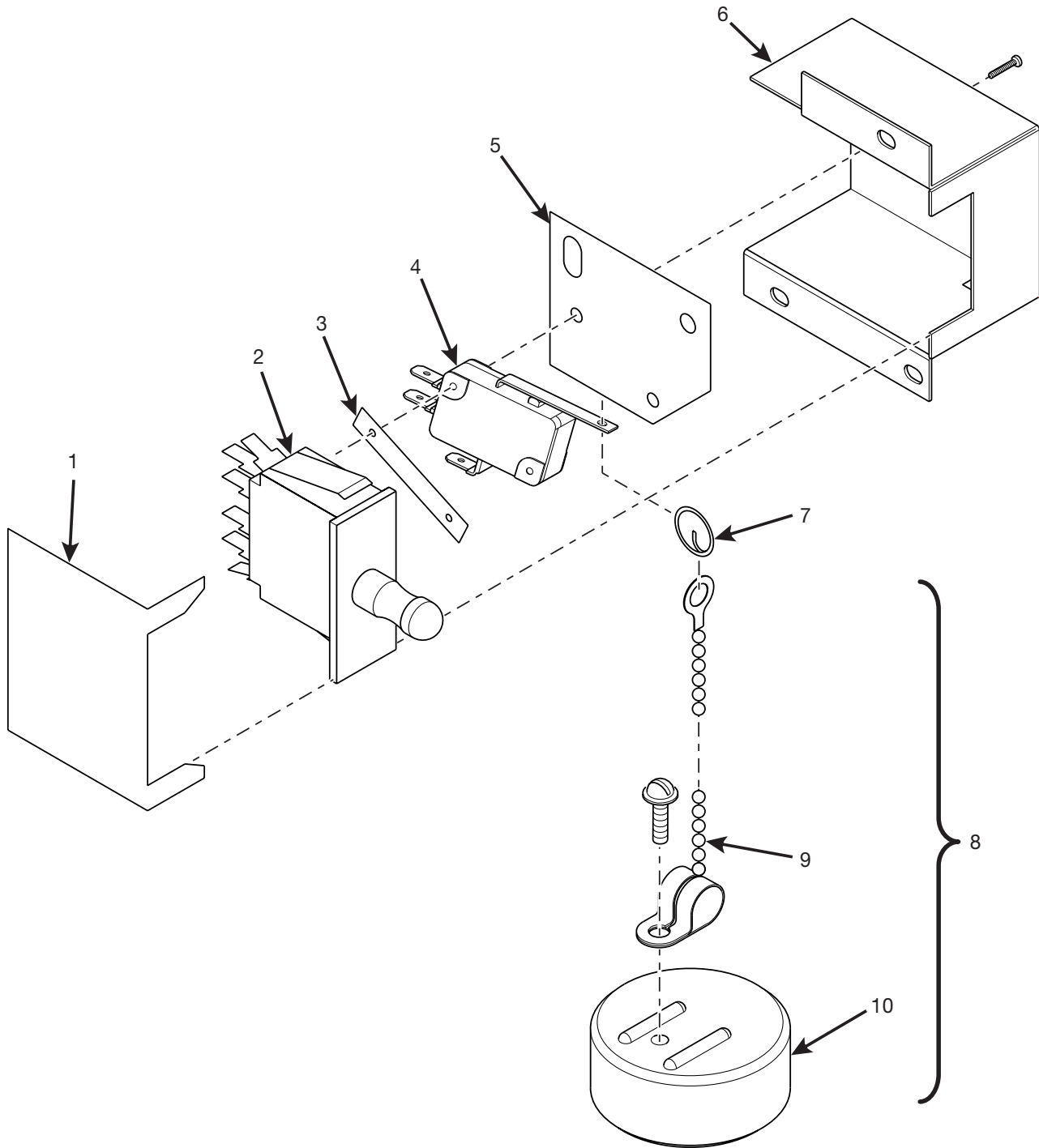
640p0122

Figure 11. Cabinet Assembly - Top



TABLE 11. CABINET ASSEMBLY - TOP

INDEX	PART	DESCRIPTION	QTY
1	6401024	BEARING - ACCESS COVER	2
2	-	WATER TANK (SEE FIGURE 24. FOR DETAILS)	1
3	-	CANISTERS/PRODUCT DISPENSING SYSTEM (SEE FIGURE 16. FOR DETAILS)	1
4	-	WATER VALVE/FILTER ASSEMBLY (SEE FIGURES 28 - 30 FOR DETAILS)	1
5	-	BREWER DRIVE AND PUMP ASSEMBLY (SEE FIGURE 31. FOR DETAILS) (MODEL 640 ONLY)	1
6	6401082	GROUNDS BUCKET ASSEMBLY (MODEL 640 ONLY)	1
7	6401011	TRAY - CUTOFF - LIQUID DRAIN	1
8	6401070	DRAIN TRAY GRATE - POWDER COATED	1
9	-	INTERLOCK/FLOAT SWITCHES (SEE FIGURE 12. FOR DETAILS)	1
10	-	FILTER PAPER HOUSING INSTALLATION (SEE FIGURE 33. FOR DETAILS) (MODEL 640 ONLY)	1
11	6401026	PLATE - LATCH	1
12	-	POWER PANEL AND SUPPORT ASSEMBLY (SEE FIGURE 26 - 27 FOR DETAILS)	1
13	6441006	CABINET ASSEMBLY - ADHESIVE BOND	1
14	4041102	STUD - COLUMN LOCATOR	1
15	6401017	COVER - TOP ACCESS	1
16	6411001	BRACKET - LIQUID DRAIN TRAY (MODEL 641 ONLY)	1
17	6411002	BRACE - LIQUID DRAIN TRAY (MODEL 641 ONLY)	1



640p0107

Figure 12. Interlock and Float Switches



TABLE 12. INTERLOCK AND FLOAT SWITCHES

INDEX	PART	DESCRIPTION	QTY
-	-	INTERLOCK SWITCH/FLOAT ASSEMBLY	1
1	6401033	INSULATION - INTERLOCK SWITCH	1
2	2366135	SWITCH - INTERLOCK	1
3	4302316	NUT PLATE	1
4	6401036	SWITCH - LEVER	1
5	4302318	PLATE - SWITCH	1
6	6401028	HOUSING - INTERLOCK SWITCH	1
7	6401031	COIL - FLOAT SWITCH	1
8	6401037	FLOAT ASSEMBLY - DRAIN TRAY (INCLUDES INDEX ITEMS 7, 9 AND 10)	1
9	6401056	CHAIN - FLOAT SWITCH	1
10	6401055	FLOAT - DRAIN TRAY	1

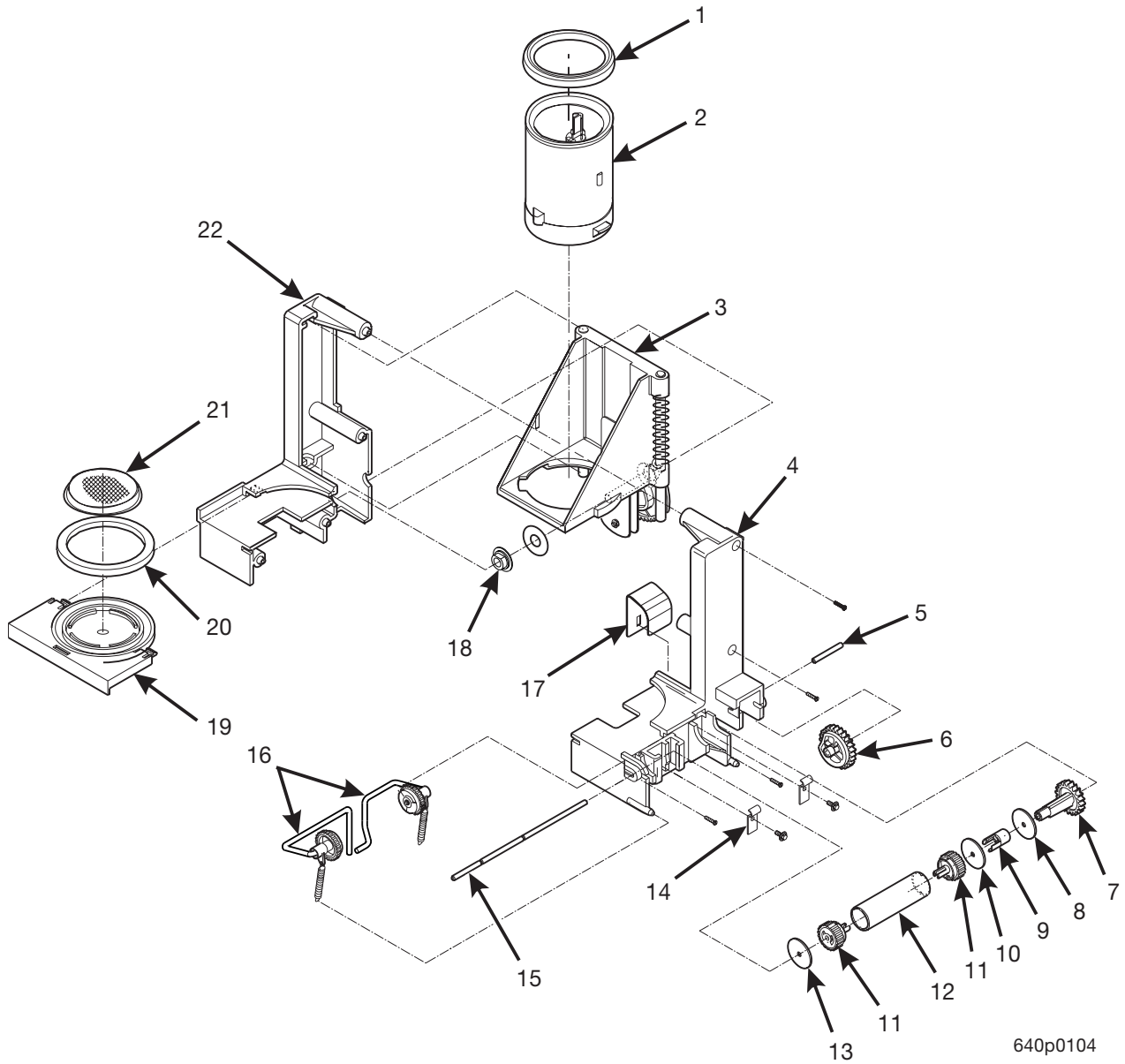


Figure 13. Brewer Assembly



TABLE 13. BREWER ASSEMBLY

INDEX	PART	DESCRIPTION	QTY
-	6404110	BREWER ASSEMBLY (MODEL 640 ONLY)	1
1	6404031	LID - BREWER CYLINDER	1
2	6404004	CYLINDER - BREWER	1
3	6404050	CARRIER AND CAM FOLLOWER ASSEMBLY (SEE FIGURE 15. FOR DETAILS) (MODEL 640 ONLY)	1
4	6404109	HOUSING - BREWER -RIGHT	1
5	6404023	AXLE - INDEX GEAR	1
6	6404022	GEAR - PAPER INDEX PINION	1
7	6404024	GEAR - DRIVE - PAPER	1
8	6404038	WASHER - 1.25 OD X 0.406 ID X 0.050	1
9	6234603	ROLLER DRIVE - PAPER MECHANISM	1
10	6404039	WASHER - 1.25 OD X 0.540 ID X 0.050	1
11	6234620	ROLLER END CAP - PAPER MECH	2
12	6404026	ROLLER - PAPER EXTRUSION	1
13	6404037	WASHER - 1.25 OD X 0.203 ID X 0.050	1
14	6404114	RETAINER IDLER AXLE	1
15	6404025	SHAFT - PAPER DRIVE	1
16	-	IDLER AXLE AND ROLLER ASSEMBLIES LEFT AND RIGHT (SEE FIGURE 14. FOR DETAILS) (MODEL 640 ONLY)	-
17	6404113	GUIDE - PAPER	1
18	4047012	SHOULDER BUSHING - 60 X 60 MESH	
19	6404008	HOUSING - SCREEN AND SEAL	1
20	6404090	SEAL - BREWER	1
21	6404070	SCREEN - BREWER	1
22	6404001	HOUSING - BREWER - LEFT SIDE	1

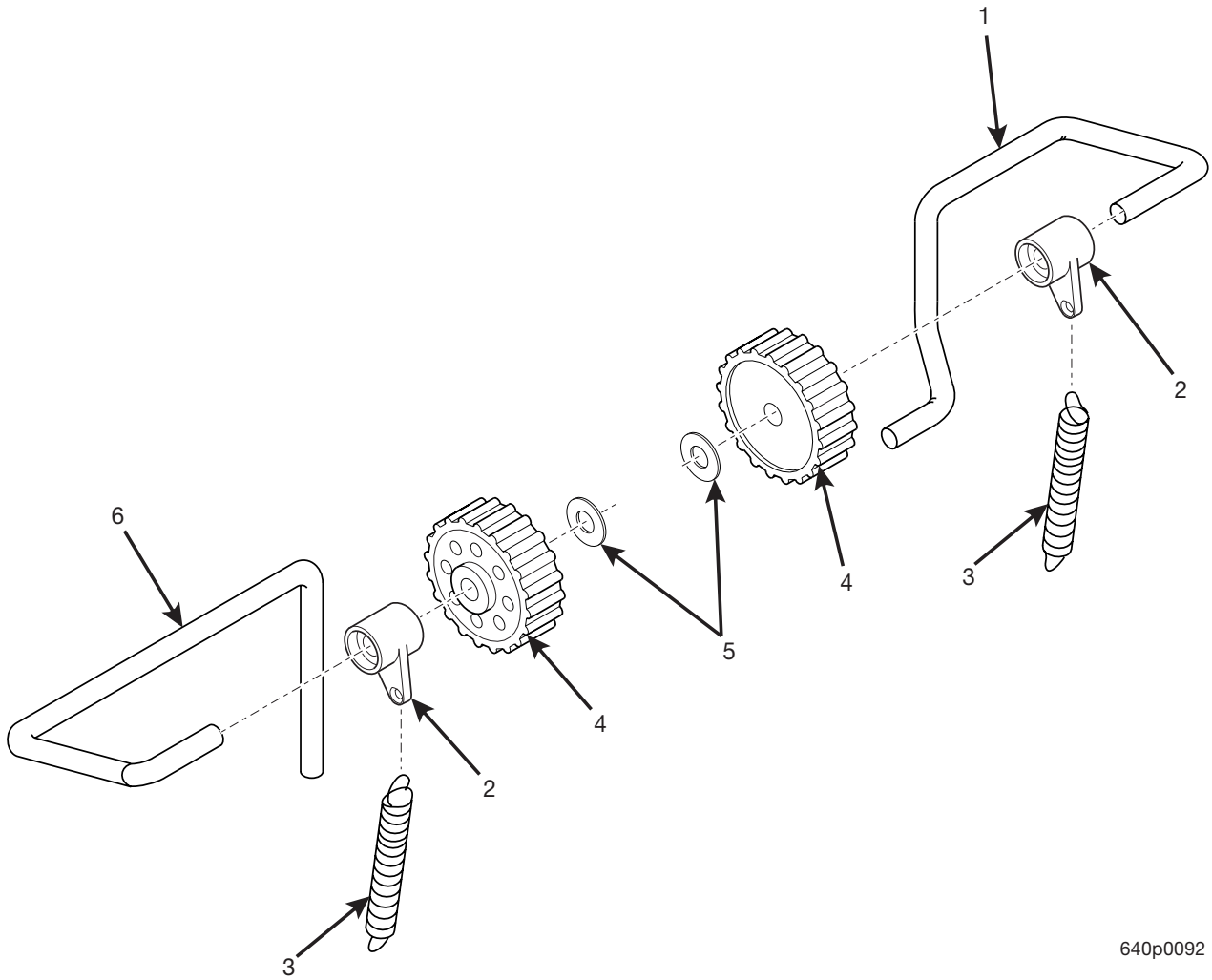


Figure 14. Idler Axle and Roller Assemblies



TABLE 14. IDLER AXLE AND ROLLER ASSEMBLIES

INDEX	PART	DESCRIPTION	QTY
-	6404107	IDLER AXLE AND ROLLER ASSEMBLY - LEFT (INCLUDES INDEX ITEMS 2 THROUGH 6) (MODEL 640 ONLY)	1
-	6404108	IDLER AXLE AND ROLLER ASSEMBLY - RIGHT (INCLUDES INDEX ITEMS 1 THROUGH 5)	1
1	6404096	AXLE - IDLER - ROLLER - RIGHT	1
2	6404030	TOGGLE - SPRING	2
3	6404067	SPRING - EXTENSION	2
4	6404098	DRIVE/IDLER - PAPER DRIVE	2
5	6404027	RETAINER - GROOVELESS	2
6	6404095	AXLE - IDLE - ROLLER - LEFT	1

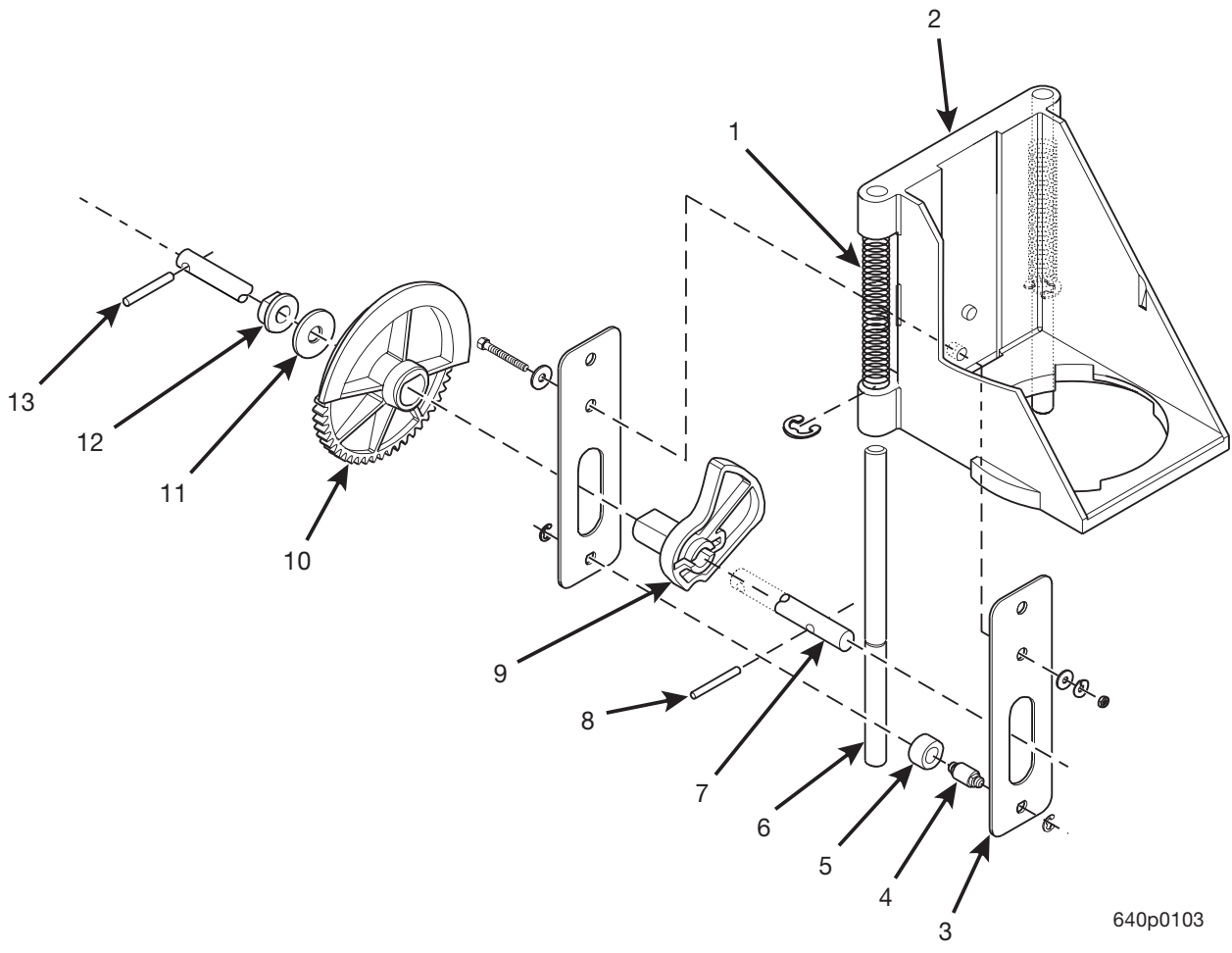


Figure 15. Carrier and Cam Follower Assembly



TABLE 15. CARRIER AND CAM FOLLOWER ASSEMBLY

INDEX	PART	DESCRIPTION	QTY
-	6404050	CARRIER AND CAM FOLLOWER ASSEMBLY (MODEL 640 ONLY)	1
1	6404017	SPRING - CARRIER	1
2	6404003	CARRIER - CYLINDER	1
3	6404019	PLATE - CAM FOLLOWER	1
4	6404073	SHAFT - CAM FOLLOWER	1
5	6404074	ROLLER - CAM FOLLOWER	1
6	6404018	SHAFT - CARRIER BEARING	1
7	6404013	SHAFT - CAM	1
8	4047061	PIN - ROLL - 1/8 X 1 1/8	1
9	6404014	CAM - CYCLINDER CARRIER	1
10	6404015	GEAR - PAPER INDEX DRIVE	1
11	6134042	WASHER - 1 X 0.390 X 22 GAUGE	1
12	4047012	BUSHING - SHOULDER	1
13	6133157	PIN - ROLL - 3/16 X 1	1

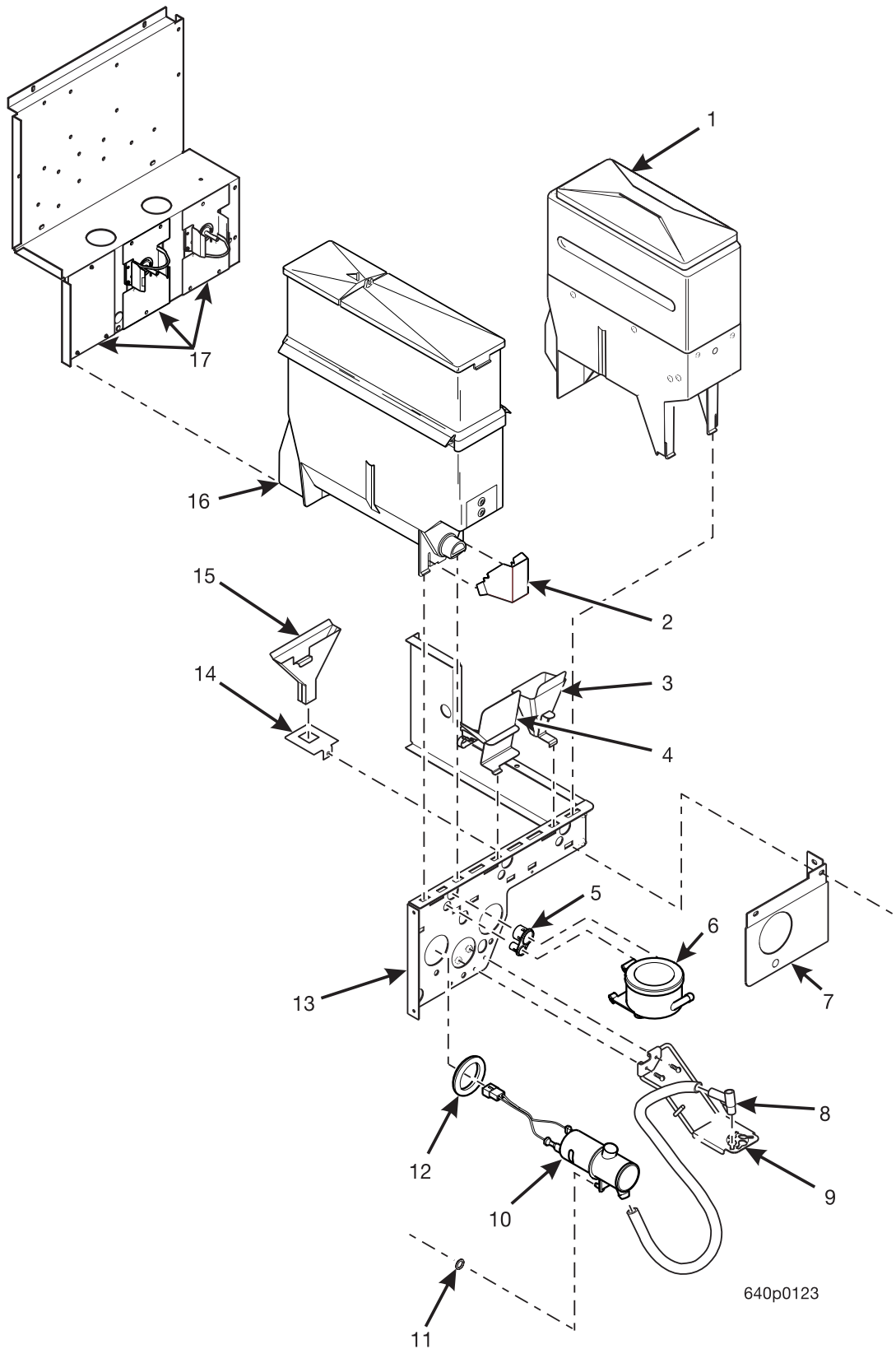
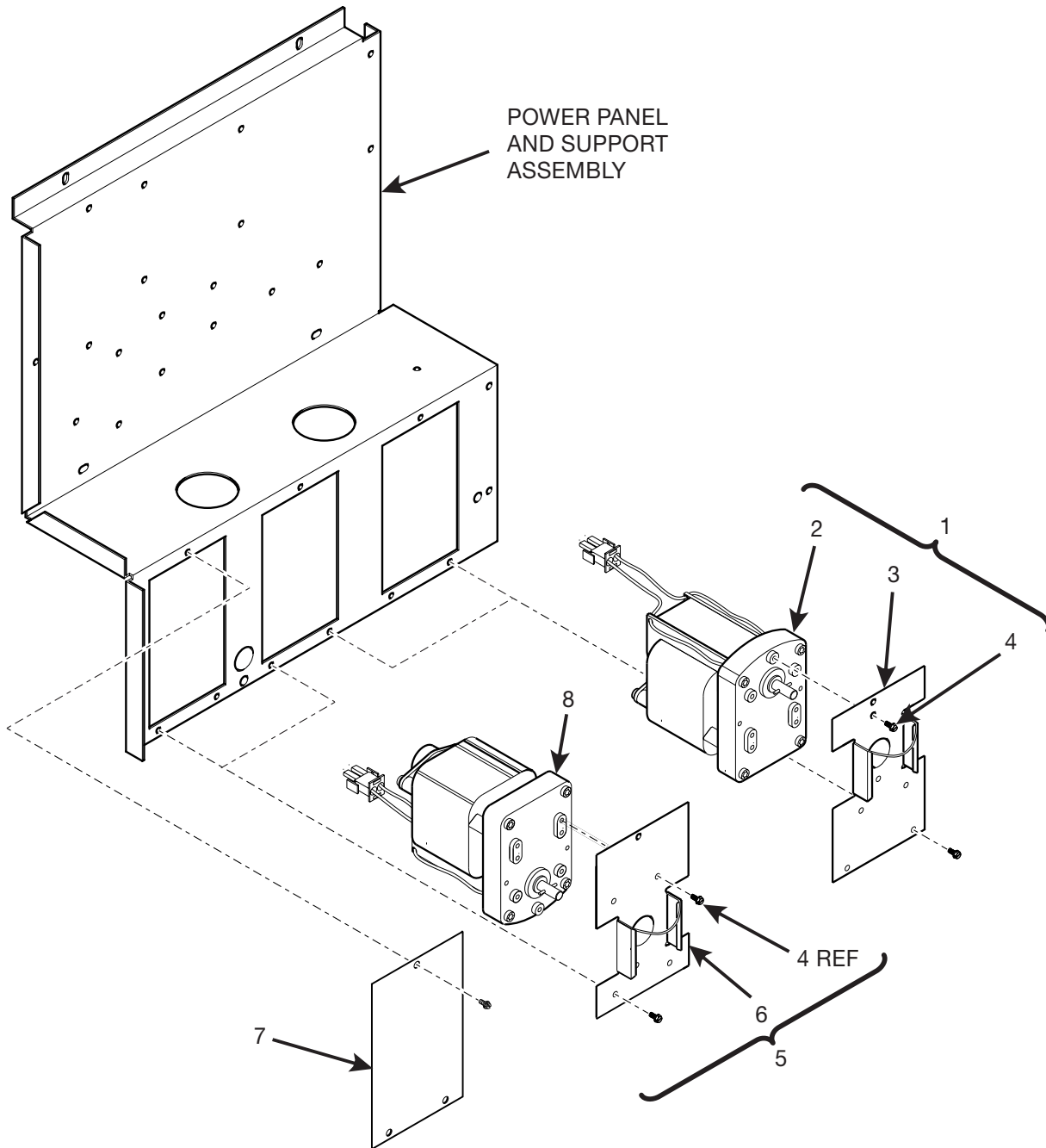


Figure 16. Canister/Product Dispensing System



TABLE 16. CANISTER/PRODUCT DISPENSING SYSTEM

INDEX	PART NUMBER	DESCRIPTION	QTY
1	6407043	CANISTER ASSEMBLY - PREGROUND COFFEE (ONE OR TWO REQUIRED DEPENDING ON SELECT/WHIPPER OPTION) (SEE FIGURE 21. FOR DETAILS)	OPT
	6237445	CANISTER ASSEMBLY - FD COFFEE (ONE OR TWO REQUIRED, DEPENDING ON SELECFT/WHIPPER OPTION) (SEE FIGURE 20. FOR DETAILS)	
	6237450	CANISTER ASSEMBLY - NO SLEEVE (ONE OR NONE REQUIRED, DEPENDING ON SELECFT/WHIPPER OPTION) (SEE FIGURE 22. FOR DETAILS)	
2	6237015	BRACKET - CHOCOLATE DEFLECTOR (REQUIRES ONE, TWO OR NONE, DEPENDING ON SELECT WHIPPER OPTION)	OPT
3	6337015	CHUTE ASSEMBLY - PREGROUND COFFEE	1
4	6407028	CHUTE ASSEMBLY LEFT (USED IF CENTER CANISTER POSITION IS EQUIPPED WITH PREGROUND COFFEE CANISTER)	OPT
5	6237315	RETAINER - TUBE - MIXING BOWL (ONE REQUIRED FOR EACH MIXING BOWL)	OPT
6	6237127	MIXING BOWL ASSEMBLY (NONE, ONE OR TWO REQUIRED DEPENDING ON SELECT/WHIPPER OPTION)	OPT
7	6401085	PLATE - WHIPPER MOUNTING (MODEL 641 ONLY)	1
8	6407029	NOZZLE - HOT WATER (ONE OR NONE REQUIRED DEPENDING ON SELECT/WHIPPER OPTION)	OPT
9	6407006	NOZZLE SUPPORT ASSEMBLY	1
10	6237195	WHIPPER ASSEMBLY (ONE, TWO OR THREE REQUIRED DEPENDING ON SELECT WHIPPER OPTION)	OPT
	6337081	WHIPPER ASSEMBLY - DRINK - INTERNATIONAL	
11	2302223	GROMMET 3/16 (ONE REQUIRED FOR EACH WHIPPER ASSEMBLY)	OPT
12	6237115	GROMMET - WHIPPER MOUNTING (ONE REQUIRED FOR EACH WHIPPER ASSEMBLY)	OPT
13	6401018	SUPPORT-CANISTER	1
14	6407017	HOLDER - GROUNDS CHUTE	1
15	6407014	CHUTE ASSEMBLY - GROUNDS - LOWER	1
16	6237447	CANISTER ASSEMBLY - CHOCOLATE (ONE OR TWO REQUIRED DEPENDING ON SELECT/WHIPPER OPTION) (SEE FIGURE 23. FOR DETAILS)	OPT
17	-	MOTOR AND PLATE ASSEMBLLIES (SEE FIGURE 17. FOR DETAILS)	-



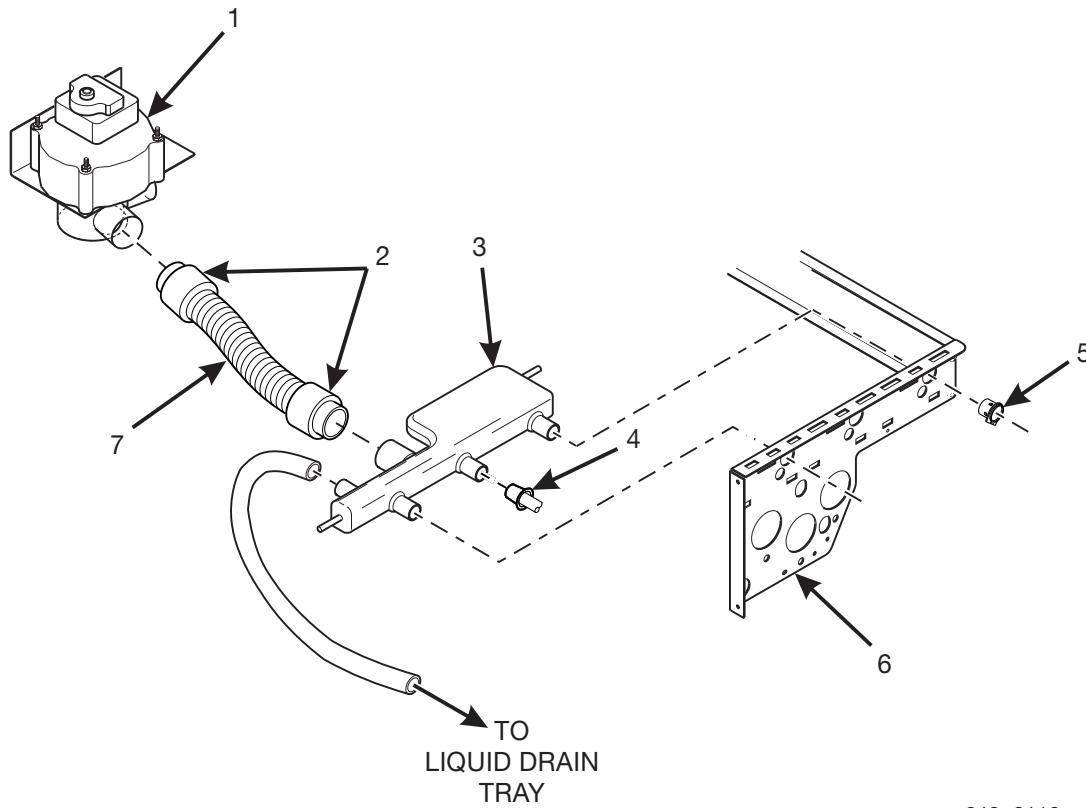
640p0117

Figure 17. Motor and Plate Assemblies - Canister Drive



TABLE 17. MOTOR AND PLATE ASSEMBLIES - CANISTER DRIVE

INDEX	PART	DESCRIPTION	QTY
1	6237438	MOTOR AND PLATE ASSEMBLY - COFFEE -115 VAC (INCLUDES INDEX ITEM NUMBERS 2 [PN 6237165], 3 AND 4)(ONE OR TWO REQUIRED DEPENDING ON SELECT/WHIPPER OPTION)	OPT
	6408002	MOTOR AND PLATE ASSEMBLY - COFFEE - 230 VAC (INCLUDES INDEX NUMBERS 3 [PN 6407000], 3 AND 4) (ONE OR TWO REQUIRED DEPENDING ON SELECT/WHIPPER OPTION)	
2	6237165	MOTOR - CANISTER -115 VAC/ 60 HZ-200 RPM (USED ON INDEX ITEM 1, PN 6237438)	OPT
	6407000	MOTOR - CANISTER - 230 VAC - 50 HZ - 167 RPM (USED ON INDEX ITEM 1, PN 6408002)	
3	6237077	PLATE ASSEMBLY - MOUNTING (USED ON MOTOR AND PLATE ASSEMBLOES, INDEX ITEM 1)	OPT
4	9900157	SCREW - #8-32 X 7/32HWD HD TY 23	9
5	6237436	MOTOR AND PLATE ASSEMBLY - 115 VAC - 200 RPM (INCLUDES INDEX NUMBERS 7 [PN 6237165], 4 AND 6)(ONE, TWO OR NONE REQUIRED DEPENDING ON MODEL)	OPT
	6408001	MOTOR AND PLATE ASSEMBLY - 230 VAC - 167 RPM (INCLUDES INDEX NUMBERS 7 [PN 6407000], 4 AND 6)(ONE, TWO OR NONE REQUIRED DEPENDING ON MODEL)	
6	6237074	PLATE ASSEMBLY (USED ON MOTOR AND PLATE ASSEMBLIES, INDEX ITEM 6)	OPT
7	6231376	MOTOR CHANNEL COVER (ONE OR NONE REQUIRED DEPENDING ON SELEC/WHIPPER OPTION)	OPT
8	6237165	MOTOR - CANISTER 115 VAC/60HZ -200 RPM (USED ON INDEX NO 5, PN 6237436)	OPT
	6407000	MOTOR - 230 VAC/50HZ-167 RPM (USED ON INDEX NO 5, PN 6408001)	



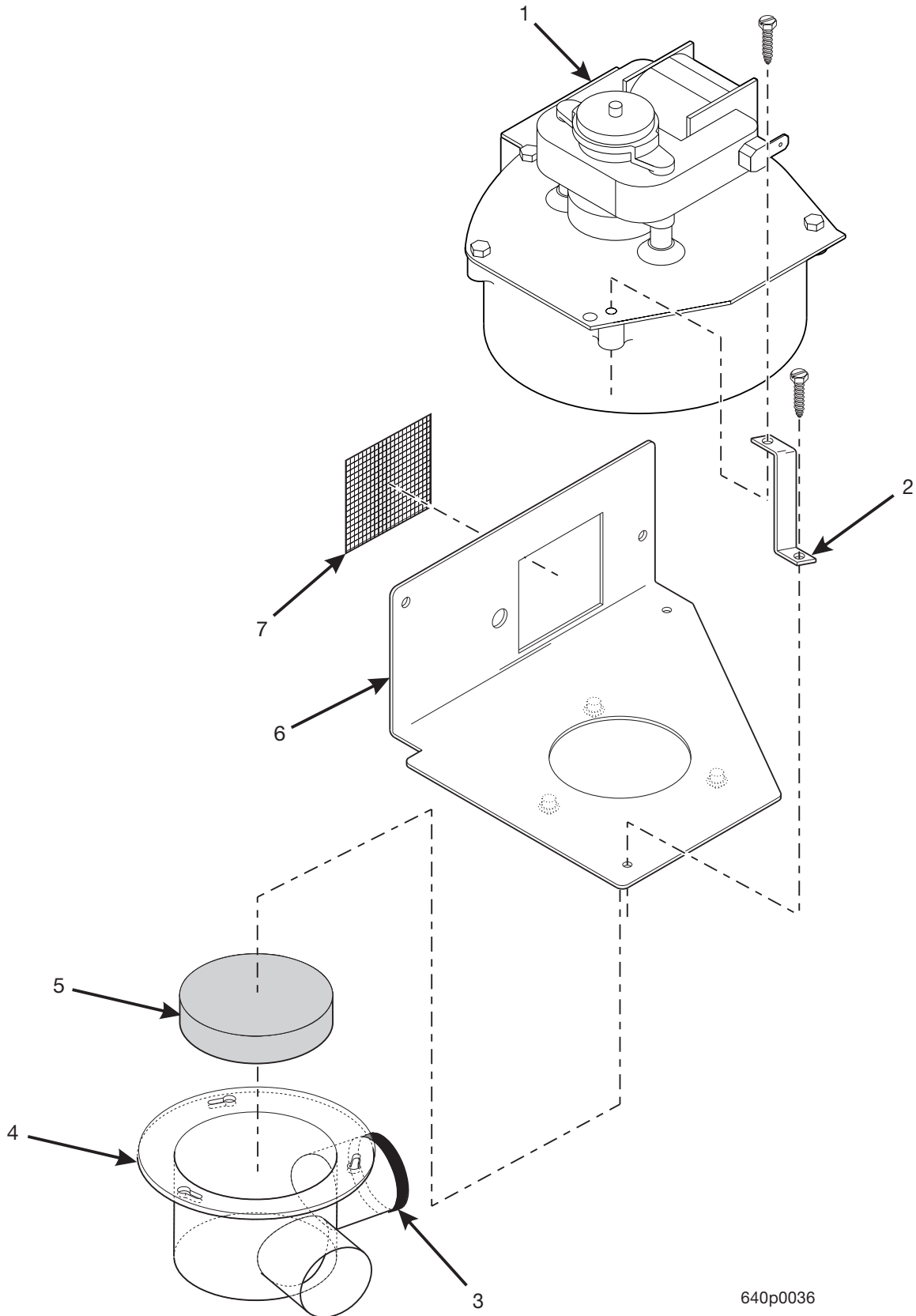
640p0116

Figure 18. Vent System



TABLE 18. VENT SYSTEM

INDEX	PART	DESCRIPTION	QTY
1	-	BLOWER ASSEMBLY (SEE FIGURE 19. FOR DETAILS)	1
2	6137157	COUPLING - VENT HOSE	2
3	6407010	MANIFOLD - EXHAUST BLOWER	1
4	6237303	PLUG - CENTER PULL (ONE, TWO OR NONE REQUIRED, DEPENDING ON SELECT/WHIPPER OPTION)	OPT
5	6407039	MANIFOLD EXTENSION	1
6	6401018	SUPPORT - CANISTER	1
7	6408207	HOSE - EXHAUST - 12 IN	1



640p0036

Figure 19. Blower Assembly



TABLE 19. BLOWER ASSEMBLY

INDEX	PART NUMBER	DESCRIPTION	QTY
-	6401089	BRACKET AND BLOWER ASSEMBLY 115 VAC (INCLUDES ITEMS 1 THROUGH 6, EXCEPT 230 VAC MOTOR, ITEM 1)	1
	6401052	BRACKET AND BLOWER ASSEMBLY 230 VAC (INCLUDES ITEMS 1 THROUGH 6, EXCEPT 115 VAC MOTOR, ITEM 1)	
1	6231548	BLOWER - 115 VAC (USED ON BRACKET AND BLOWER ASSEMBLY 6401089)	1
	6401090	BLOWER - 230 VAC (USED ON BRACKET AND BLOWER ASSEMBLY 6401052)	
2	6231553	TIEDOWN - BLOWER ASSEMBLY	1
3	6237305	VINYL CAP	1
4	6237342	HOUSING - EXHAUST BLOWER	1
5	6237340	FILTER - EXHAUST BLOWER	1
6	6401090	BRACKET ASSEMBLY - BLOWER MOUNTING	1
7	6401086	SCREEN - EXHAUST FAN	1

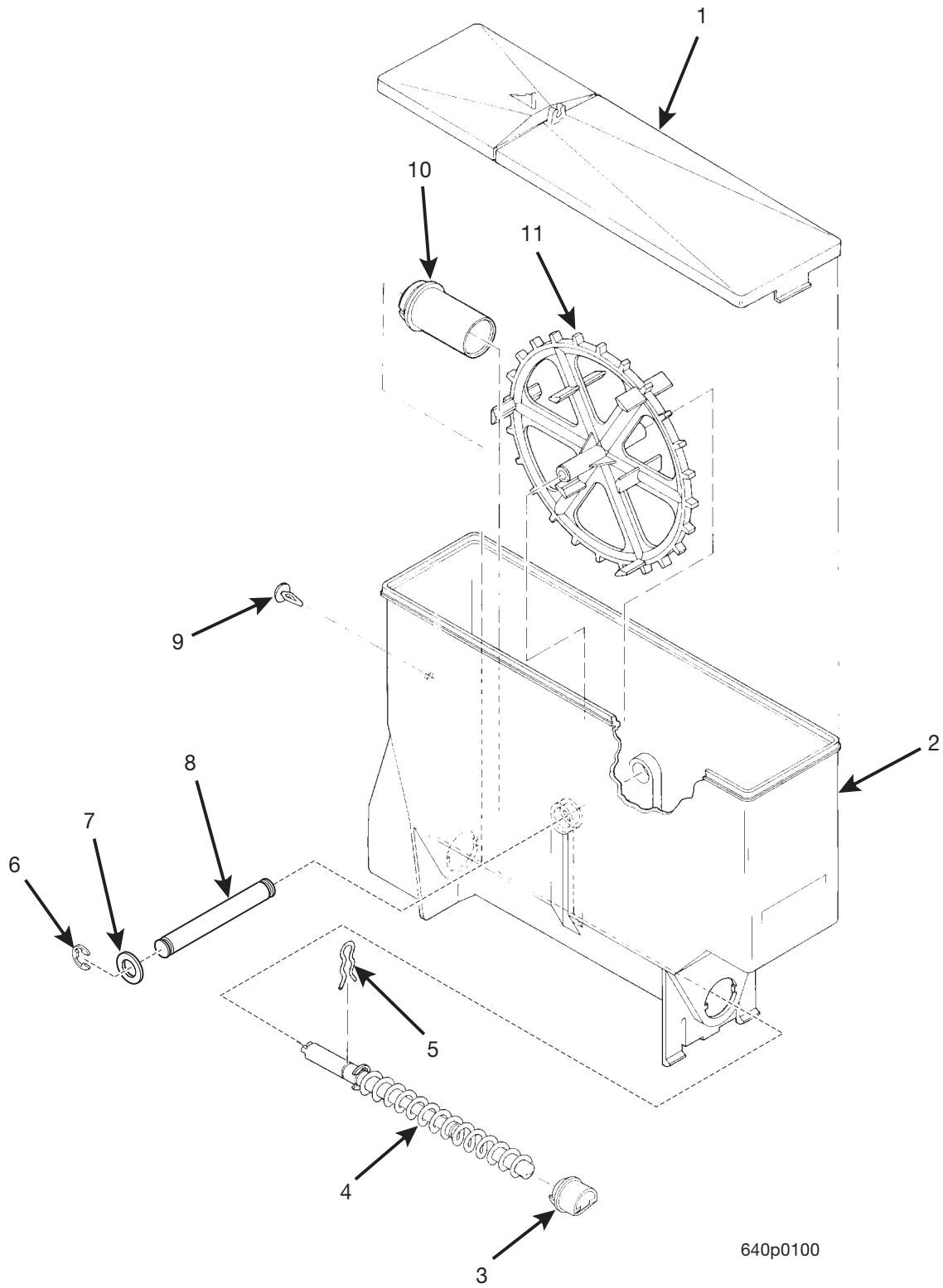
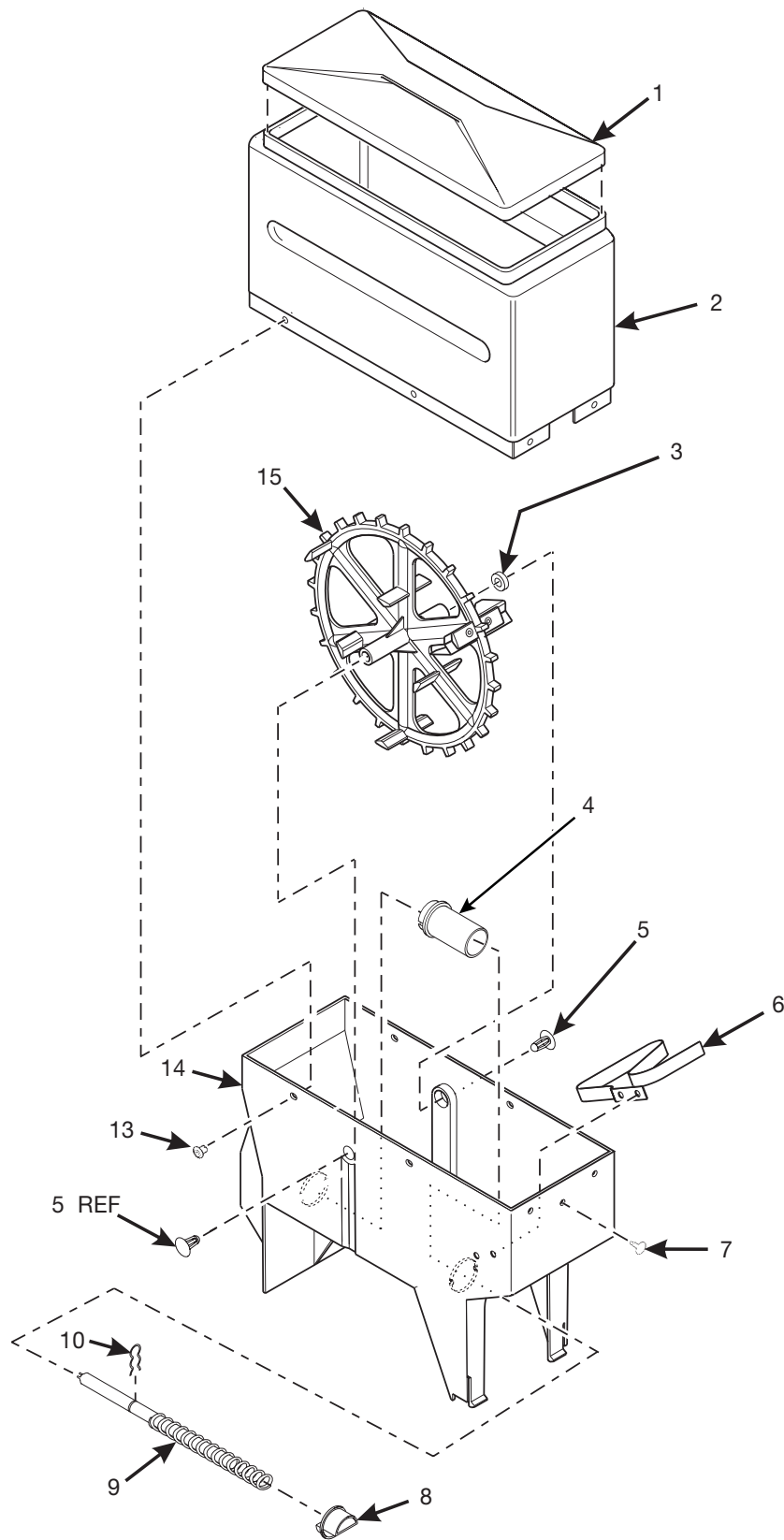


Figure 20. Canister Assembly - Freeze Dried Coffee



TABLE 20. CANISTER ASSEMBLY - FREEZE DRIED COFFEE

INDEX	PART	DESCRIPTION	QTY
-	6237445	CANISTER ASSEMBLY - FD COFFEE	1 OR 2
1	6237023	LID - CANISTER	1
2	6237176	BASE - CANISTER	1
3	6237080	NOZZLE - DISPENSING - FD COFFEE	1
4	6237178	AUGER AND SHAFT ASSEMBLY	1
5	6337020	CLIP - SPRING	1
6	9900415	RETAINING RING - TYPE E	2
7	6237116	WASHER - SEAL - WEAR PLATE	2
8	6237167	SHAFT - CANISTER	1
9	6237053	FASTENER - PUSH IN	1
10	6237014	BEARING - CANISTER	1
11	6237181	MIXING WHEEL	1



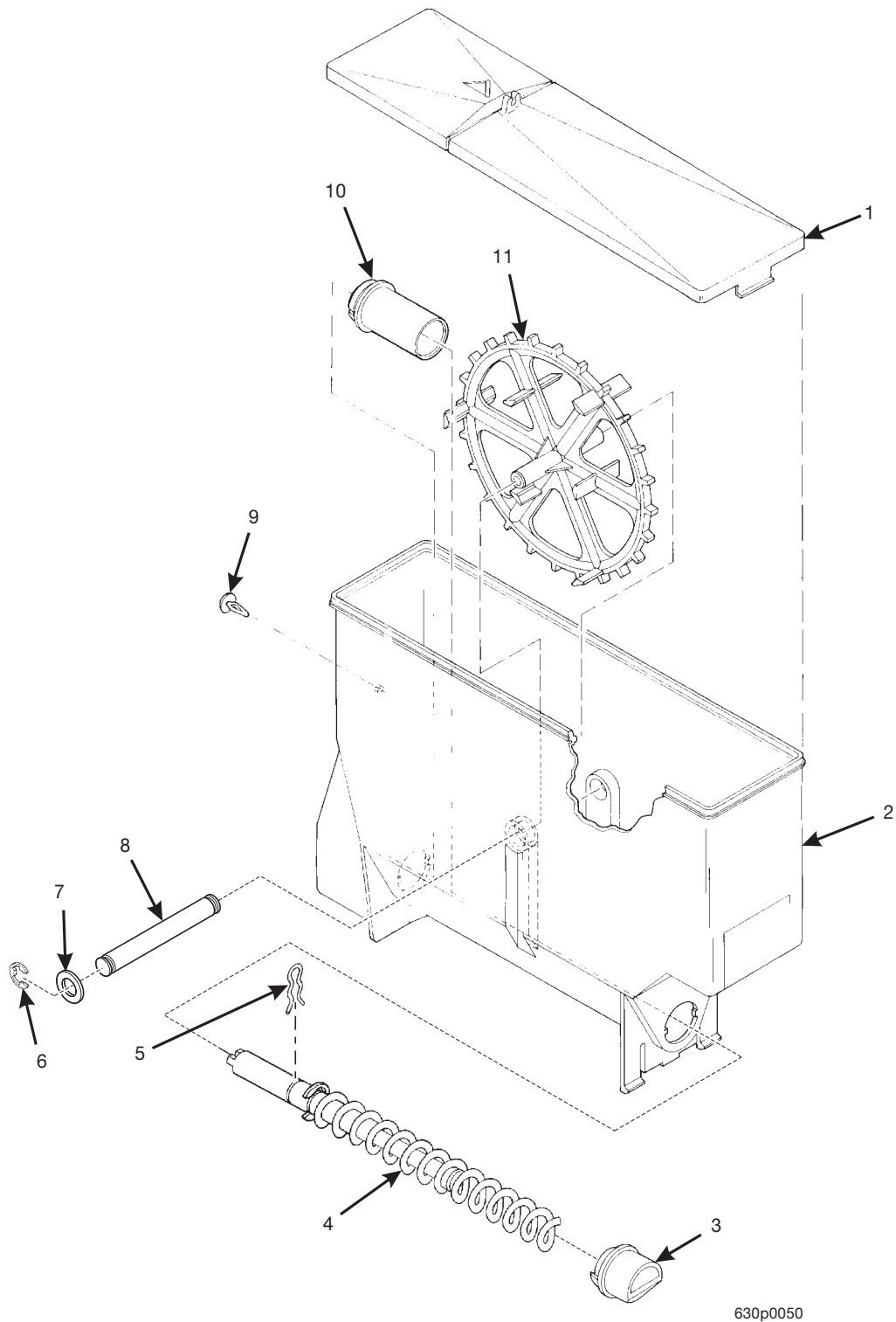
640P0108

Figure 21. Canister Assembly - Preground Coffee



TABLE 21. CANISTER ASSEMBLY - PREGROUND COFFEE

INDEX	PART	DESCRIPTION	QTY
-	6407043	CANISTER ASSEMBLY - PREGROUND COFFEE	1 OR 2
1	6407021	LID - CANISTER - FB COFFEE	1
2	6407047	SLEEVE - CANISTER - FB COFFEE - SHORT	1
3	6407045	MIXING WHEEL ASSEMBLY - FB COFFEE	1
4	6237014	BEARING - CANISTER	1
5	6237053	FASTENER - PUSH IN	2
6	6407023	SPRING - THUMPER - COFFEE - PREGROUND	1
7	6237053	FASTENER - PUSH IN	1
8	6237063	NOZZLE - DISPENSING - COFFEE	1
9	6237095	AUGER AND SHAFT ASSEMBLY - COFFEE	1
10	6337020	CLIP - SPRING	1
11	9900415	RETAINING RING - TYPE E	2
12	6237116	WASHER - SEAL - WEAR PLATE	2
13	6237019	ALUMINUM RIVET - POP	8
14	6407042	BASE - PREGROUND COFFEE - DRILLED	1



630p0050

Figure 22. Canister Assembly - No Sleeve



TABLE 22. CANISTER ASSEMBLY - NO SLEEVE

INDEX	PART	DESCRIPTION	QTY
-	6237450	CANISTER ASSEMBLY - NO SLEEVE - WITH WHEEL	0 OR 1
1	6237023	LID - CANISTER	1
2	6237176	BASE - CANISTER - THUMPER	1
3	6237080	NOZZLE - DISPENSING - FD COFFEE	1
4	6237178	AUGER AND SHAFT ASSEMBLY	1
5	6337020	CLIP - SPRING	1
6	9900415	RETAINING RING - TYPE "E"	2
7	6237116	WASHER - SEAL - WEAR PLATE	2
8	6237167	SHAFT - CANISTER	1
9	6237053	FASTENER - PUSH IN	1
10	6237014	BEARING - CANISTER	1
11	6237181	MIXING WHEEL	1

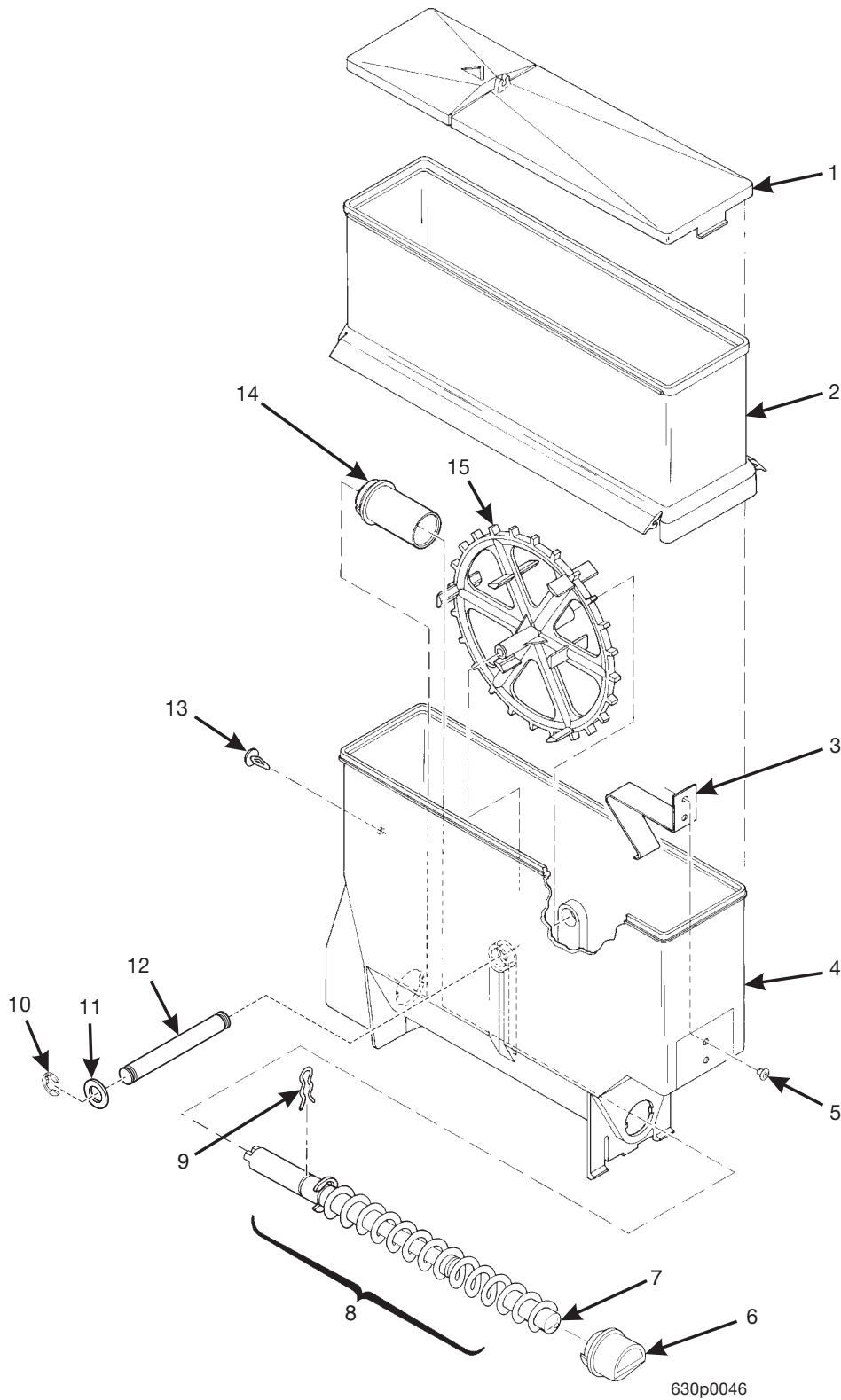


Figure 23. Canister Assembly - Chocolate



TABLE 23. CANISTER ASSEMBLY - CHOCOLATE

INDEX	PART	DESCRIPTION	QTY
-	6237447	CANISTER ASSEMBLY - CHOCOLATE	1
1	6237023	LID - CANISTER	1
2	6237439	SLEEVE - CANISTER	1
3	6237108	SPRING - THUMPER	1
4	6237177	BASE - CANISTER	1
5	6237019	ALUMINUM "POP" RIVET - 0.187 DIA	2
6	6237080	NOZZLE - DISPENSING	1
7	6237046	PLUG - AUGER	1
8	6237178	AUGER AND SHAFT ASSEMBLY	1
9	6337020	CLIP - SPRING	1
10	9900415	RETAINING RING - TYPE E	2
11	6237116	WASHER - SEAL-WEAR PLATE	2
12	6237167	SHAFT - CANISTER	1
13	6237053	FASTENER - PUSH IN	1
14	6237014	BEARING - CANISTER	1
15	6237181	MIXING WHEEL	1

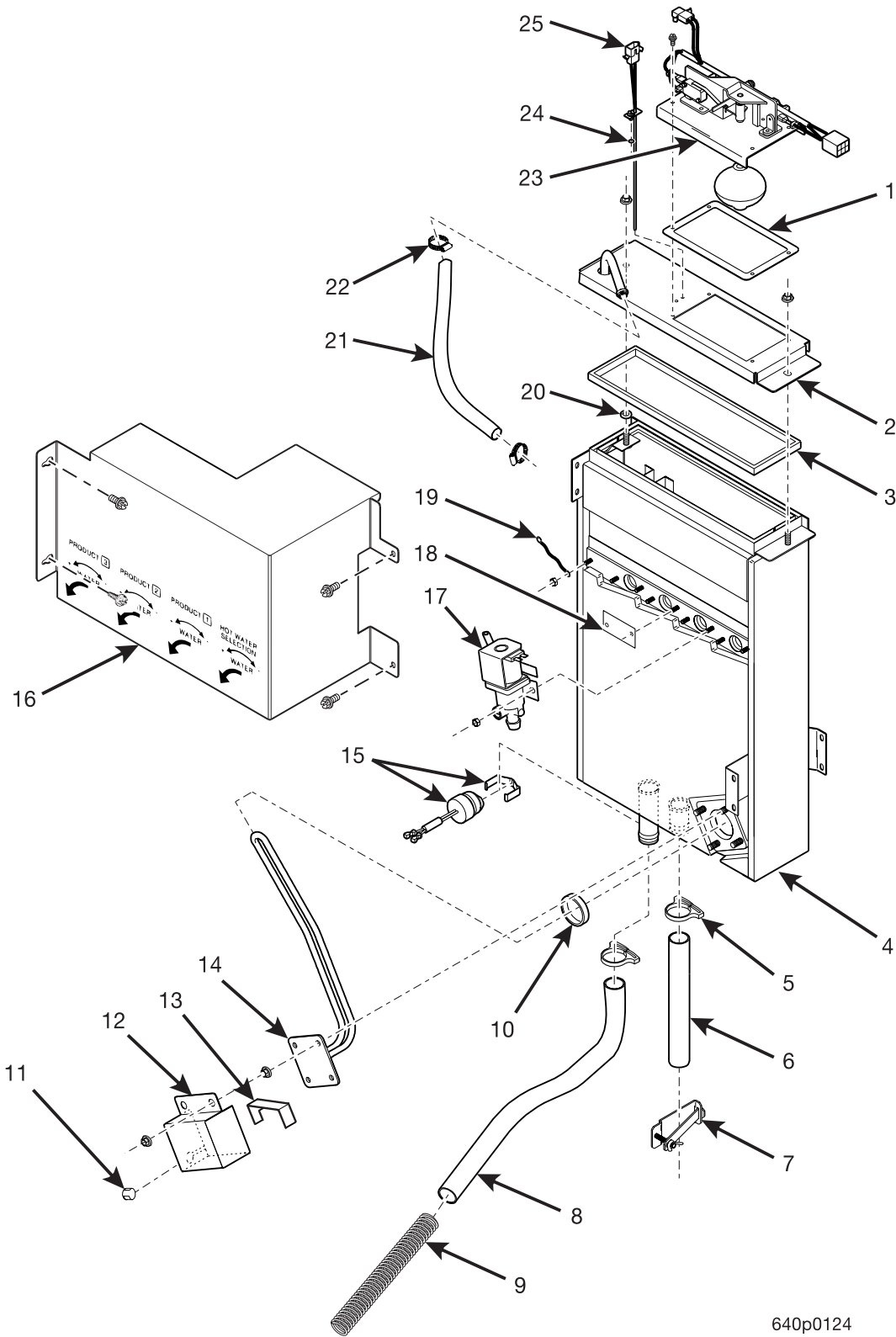
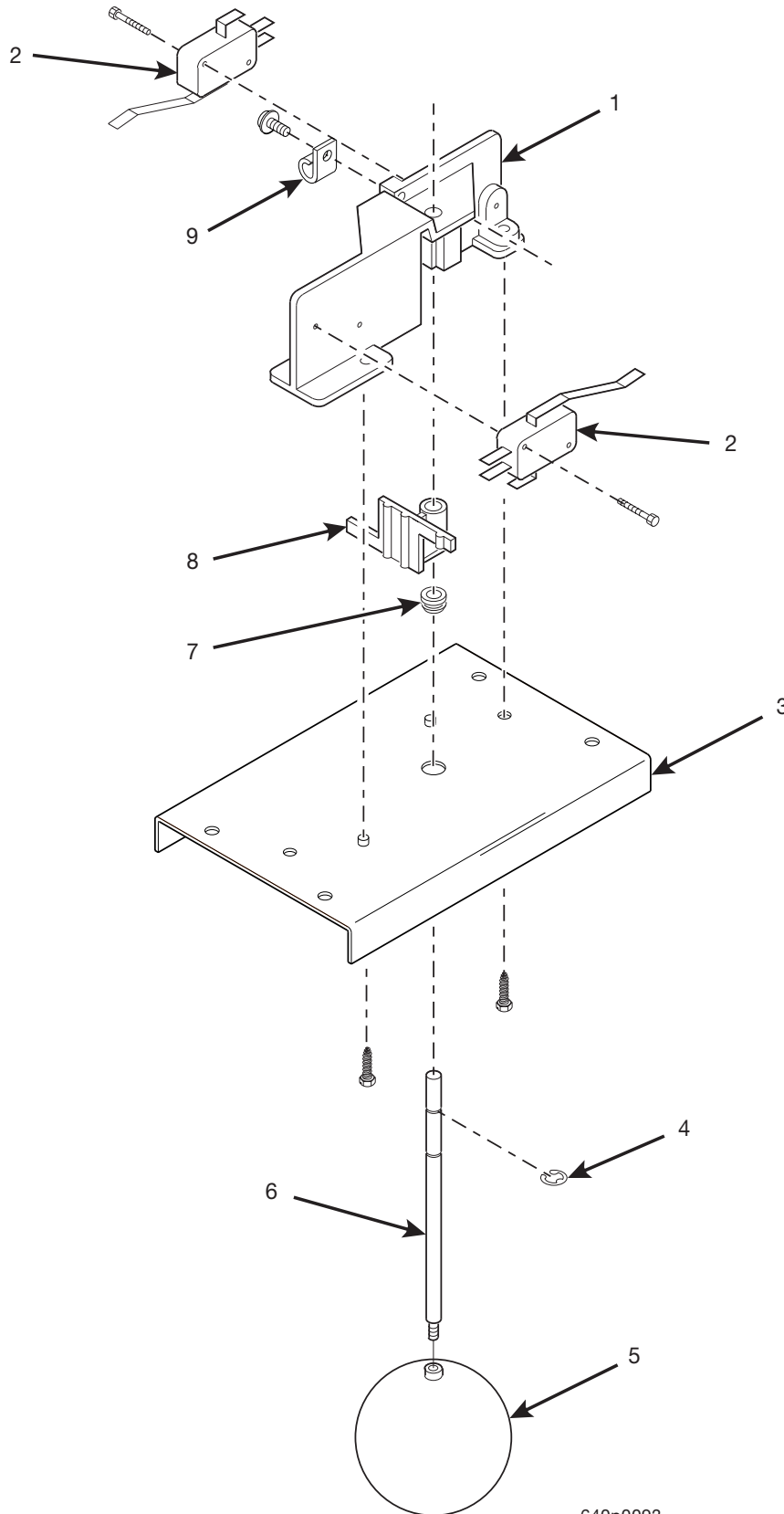


Figure 24. Water Tank Assembly



TABLE 24. WATER TANK ASSEMBLY

INDEX	PART NUMBER	DESCRIPTION	QTY
-	6408038	WATER TANK ASSEMBLY - DOMESTIC (INCLUDES ALL INDEX ITEMS EXCEPT 115 VAC VALVES AND HEATER)	1
	6408039	WATER TANK ASSEMBLY - FOREIGN (INCLUDES ALL INDEX ITEMS EXCEPT 230 VAC VALVES AND HEATER)	
1	6408036	GASKET - FLOAT MOUNTING	1
2	6408032	COVER ASSEMBLY - WELDMENT	1
3	6408105	GASKET - VULCANIZED	1
4	6408040	WATER TANK (WELDMENT)	1
5	6408125	CLAMP - TUBE	1
6	6408208	TUBE - DRAIN	1
7	6408154	PLATE - PINCH ASSEMBLY	1
8	6408209	TUBE - OVERFLOW	1
9	6408126	SPRING - COIL	1
10	6238042	GASKET - HEATER	1
11	9984248	BUSHING - OPEN/CLOSED - 0.625 DIA	1
12	6408121	COVER - HEATER TERMINAL	1
13	6408230	INSULATOR - HEATER COVER	1
14	6338042	HEATER -2000 WATTS (USED ON 230 VAC WATER TANK)	1
	6338041	HEATER -1250 WATTS (USED ON 115 VAC WATER TANK)	
15	6408176	THERMOSTAT ASSEMBLY	1
16	6408173	COVER - VALVE AND FILTER	1
17	6238116	VALVE ASSEMBLY - 230 VAC (QUANTITY DEPENDS ON MODEL)	OPT
	6238112	VALVE ASSEMBLY - 115 VAC (QUANTITY DEPENDS ON MODEL)	
18	6238045	PLUG ASSEMBLY - (QUANTITY DEPENDS ON MODEL)	OPT
19	1475119	JUMPER - GROUND WIRE	1
20	6408120	"O"RING - 0.25 ID	6
21	6408200	TUBE - INLET - 13.5 IN LG	1
22	3154059	CLAMP - STAINLESS STEEL	1
23	6408034	FLOAT ASSEMBLY (SEE FIGURE 25. FOR DETAILS)	1
24	6138287	SEAL - "O" RING	1
25	6338051	SENSOR - TEMPERATURE	1



640p0093

Figure 25. Float Assembly - Water Tank



TABLE 25. FLOAT ASSEMBLY - WATER TANK

INDEX	PART	DESCRIPTION	QTY
-	6408034	FLOAT ASSEMBLY - FINAL	1
1	6238068	BRACKET - MOUNTING - SWITCH	1
2	6238084	SWITCH - LEVER - 10 GRAMS	1
3	6408035	BRACKET - FLOAT MOUNTING	1
4	6124073	RETAINING RING "E" TYPE	2
5	6508033	FLOAT - WATER TANK	1
6	6338049	SHAFT	2
7	6338050	BEARING - LID - HOT WATER TANK	2
8	6138183	ACTUATOR - SWITCH	1
9	1211161	CABLE CLAMP - RICHCO # N4	1

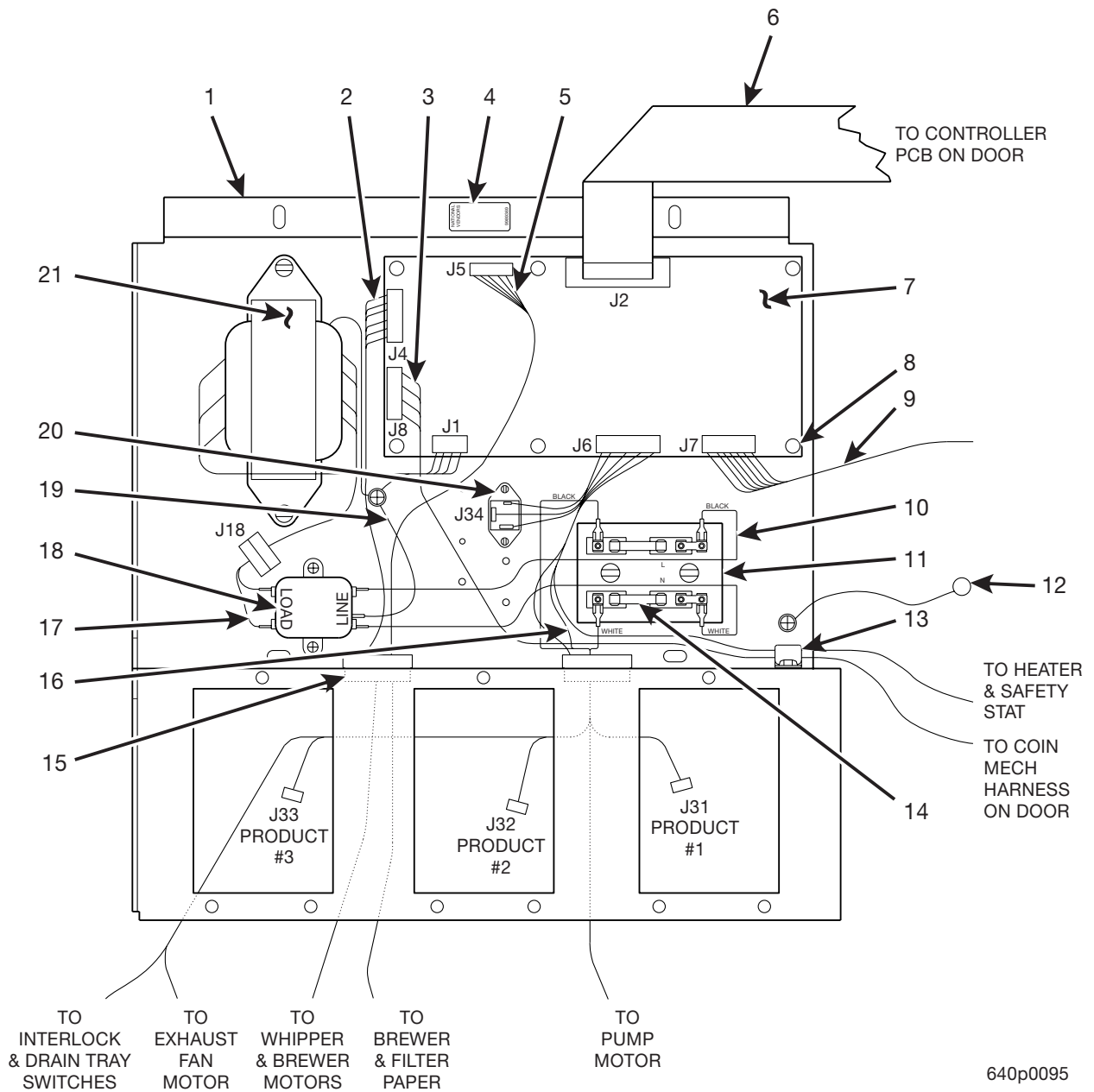


Figure 26. Power Panel Assemblies - U.K. and U.S.



TABLE 26. POWER PANEL ASSEMBLIES - U.K. AND U.S.

INDEX	PART	DESCRIPTION	QTY
-	6401106	POWER PANEL AND SUPPORT ASSEMBLY - 230 VAC U.K.	1
	6401105	POWER PANEL AND SUPPORT ASSEMBLY - 115 VAC - DOMESTIC	
1	6441017	CANISTER SUPPORT BRACKET	1
2	5409004	HARNESS - WHIPPERS AND BREW MOTOR	1
3	6409013	HARNESS - CHANGER - INT EXEC/DOM	1
4	9989369	LABEL - NV BLANK	1
5	6409026	HARNESS - BREWER SWITCHES	1
6	6409005	CABLE ASSEMBLY - RIBBON	1
7	6401100	PCB ASSEMBLY - TTC - CAB INTERFACE	1
8	9989552	SPACER - CHASSIS TO PCB	1
9	6409002	HARNESS - VALVES	1
10	6409024	JUMPER - POWER TO FILTER	1
11	6409015	TERMINAL BOARD - DOUBLE FUSE	1
12	1475119	JUMPER - GROUND WIRE	1
13	4751060	RETAINER - HARNESS	1
14	9989536	FUSE - 12 AMP - TIME DELAY	2
15	6106021	BUSHING - SB 1500 -21	1
16	6409030	HARNESS - HEATER AND PRODUCT	1
17	6409008	JUMPER - TRANSFORMER - FOREIGN	1
18	9989100	INTERFACE FILTER	1
19	6409019	JUMPER - GROUND WIRE	1
20	9983778	TRIAC - 35 A - 600 V	1
21	9989038	TRANSFORMER - 115/230 PRIM, 24 V SEC	1

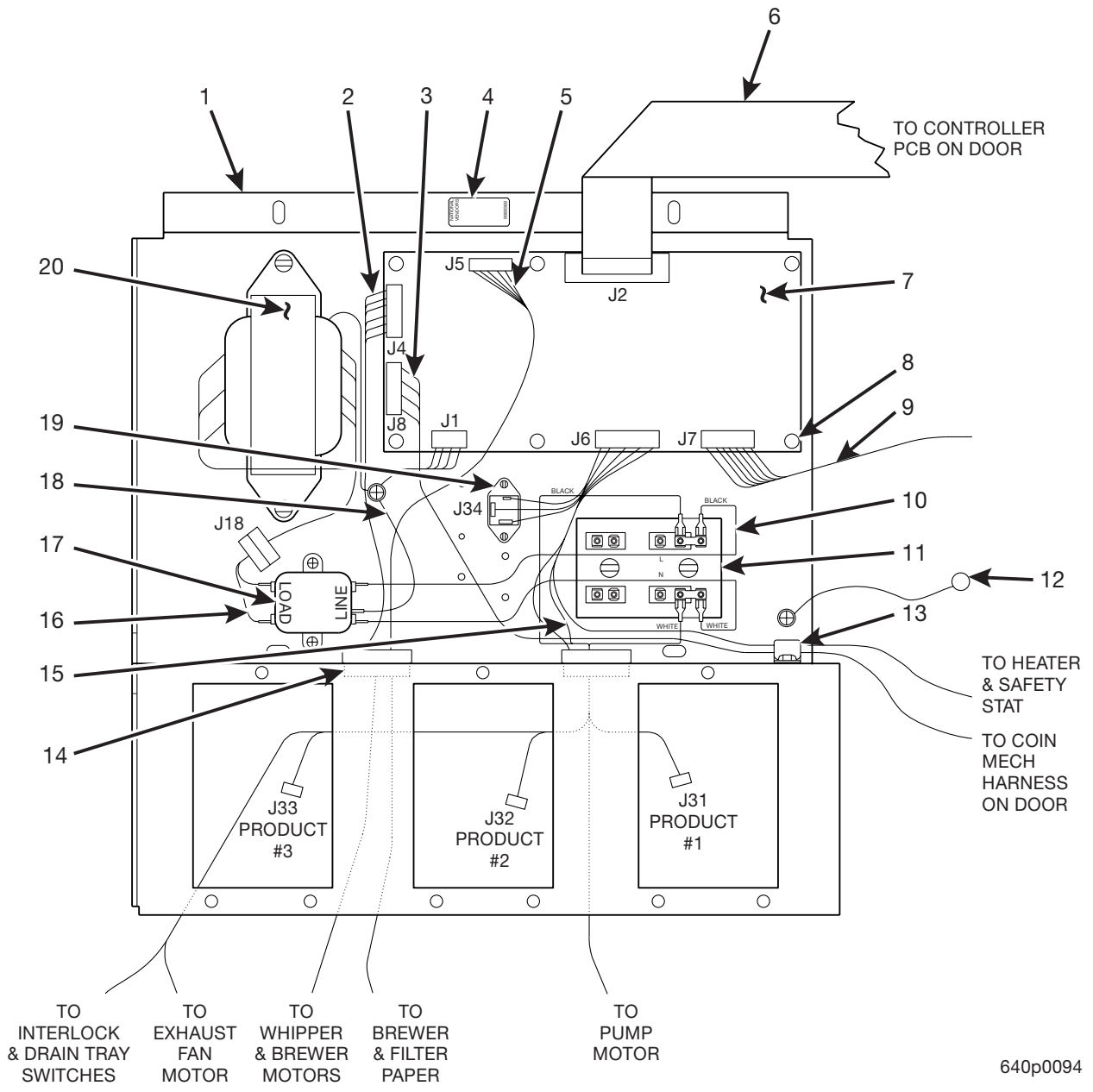


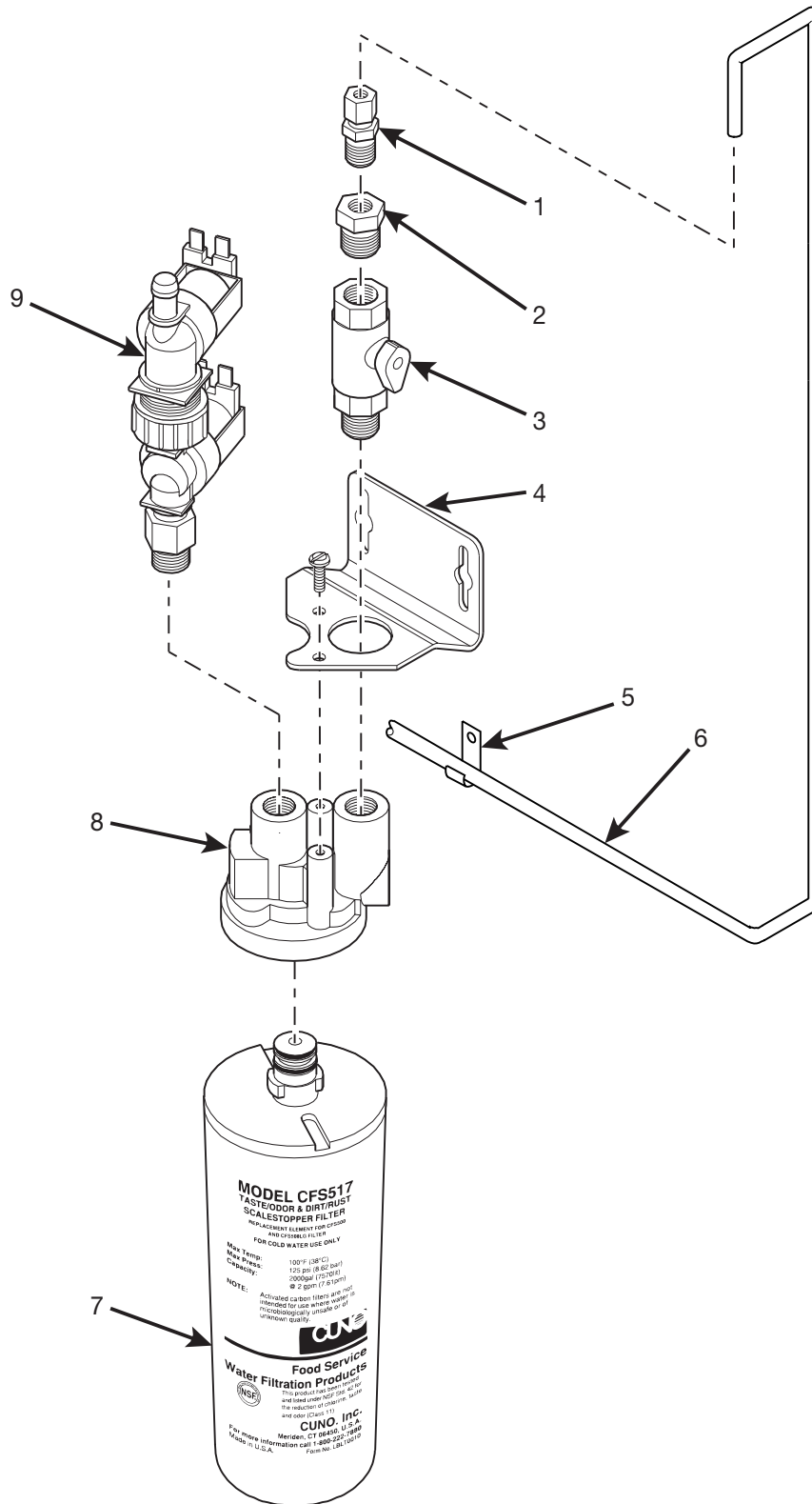
Figure 27. Power Panel Assembly - France and Germany

640p0094



TABLE 27. POWER PANEL ASSEMBLY - FRANCE AND GERMANY

INDEX	PART	DESCRIPTION	QTY
-	6401106	POWER PANEL AND SUPPORT ASSEMBLY - FRANCE AND GERMANY	1
1	6441017	CANISTER SUPPORT BRACKET	1
2	6409004	HARNESS - WHIPPERS AND BREW MOTOR	1
3	6409013	HARNESS - CHANGER - INT EXEC/DOM	1
4	9989369	LABEL - NV BLANK	1
5	6409026	HARNESS - BREWER SWITCHES	1
6	6409005	CABLE ASSEMBLY - RIBBON	1
7	6401100	PCB ASSEMBLY - TTC - CAB INTERFACE	1
8	9989552	SPACER - CHASSIS TO PCB	1
9	6409002	HARNESS - VALVES	1
10	6409024	JUMPER - POWER TO FILTER	1
11	6409015	TERMINAL BOARD - DOUBLE FUSE	1
12	1475119	JUMPER - GROUND WIRE	1
13	4751060	RETAINER - HARNESS	1
14	6106021	BUSHING - SB 1500 -21	1
15	6409030	HARNESS - HEATER AND PRODUCT	
16	6409008	JUMPER - TRANSFORMER - FOREIGN	1
17	9989100	INTERFACE FILTER	1
18	6409019	JUMPER - GROUND WIRE	1
19	9983778	TRIAC - 35 A - 600 V	1
20	9989038	TRANSFORMER - 115/230 PRIM, 24 V SEC	1



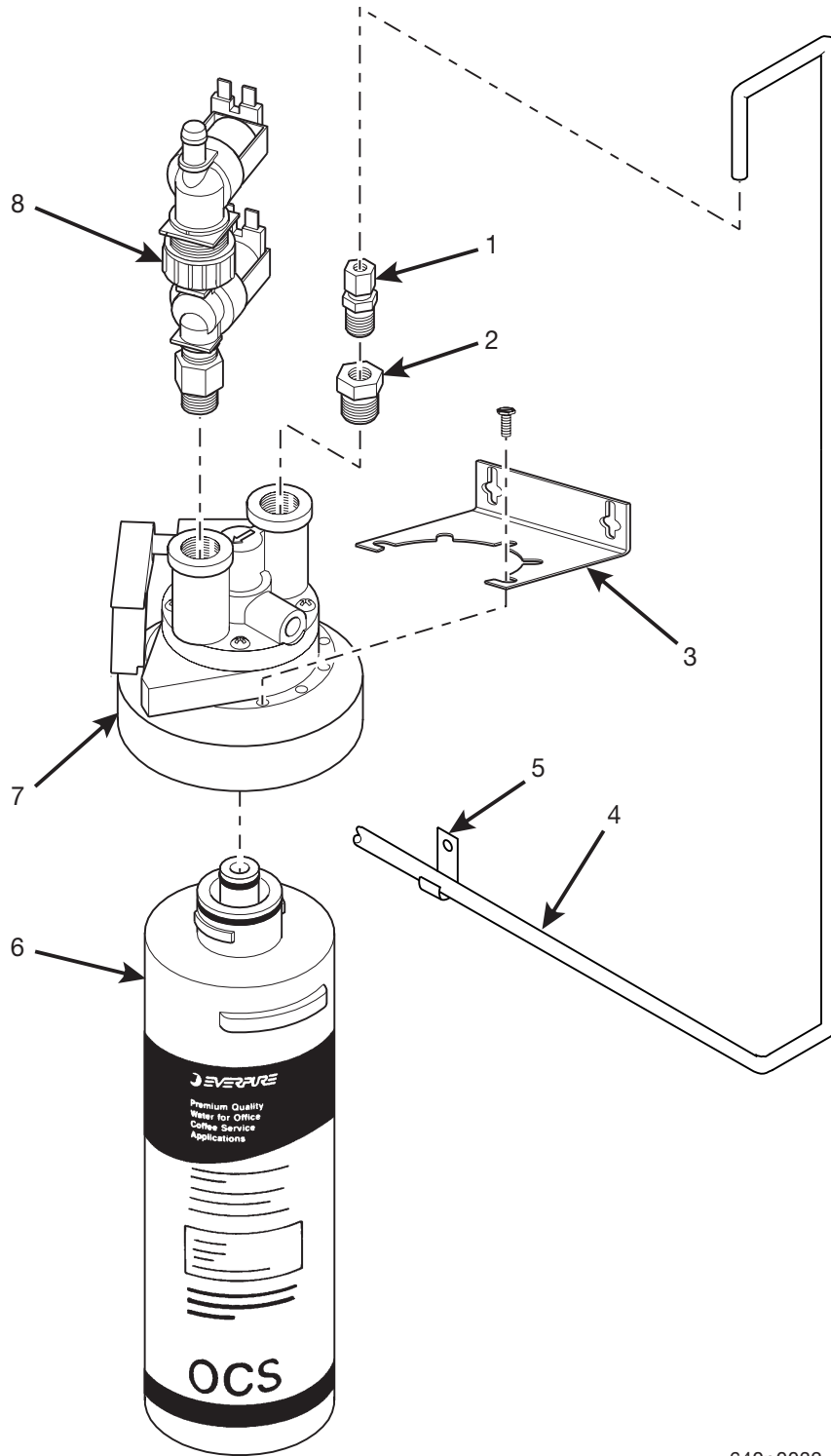
640p0031

Figure 28. Cuno Water Valve and Filter Option



TABLE 28. CUNO WATER VALVE AND FILTER OPTION

INDEX	PART	DESCRIPTION	QTY
-	6408006	FILTER ASSEMBLY - CUNO -115 VAC (INCLUDES ITEMS 1 THROUGH 3, 5, 8 AND 9 EXCEPT 230 VAC VALVE ASSEMBLY, ITEM 9)	1
	6408011	FILTER ASSEMBLY - CUNO -230 VAC (INCLUDES ITEMS 1 THROUGH 3, 5, 8 AND 9 EXCEPT 115 VAC VALVE ASSEMBLY, ITEM 9)	
1	6408119	MALE CONNECTOR - BRASS	1
2	6408117	BUSHING - 1/4 X 3/8 - BRASS	1
3	6408113	BALL VALVE - 3/8 IN - TTC	1
4	6408115	BRACKET -CUNO WATER FILTER	1
5	2342315	CLIP - WIRE HARNESS	1
6	6408124	INLET LINE - COPPER -1/4 OD X 36.15 IN LG (MADE FROM COPPER TUBING 9082699)	1
7	6408116	WATER FILTER - CUNO	1
8	6408114	HEAD ASSEMBLY - CUNO FILTER	1
9	3156061	VALVE ASSEMBLY - 115VAC INLET WATER (USED ON 115 VAC FILTER ASSEMBLY)	1
	6408003	VALVE ASSEMBLY - 230 VAC INLET WATER (USED ON 230 VAC FILTER ASSEMBLY)	



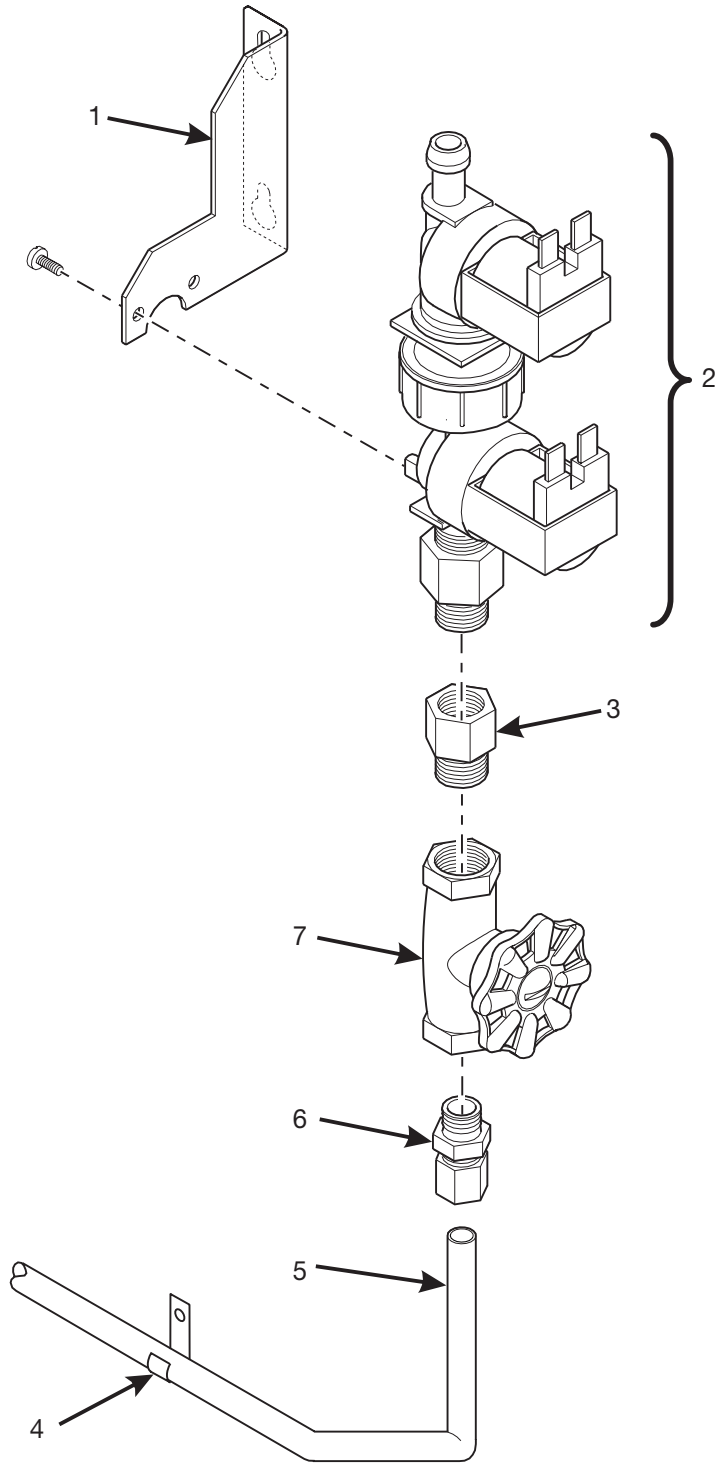
640p0032

Figure 29. Everpure Water Valve and Filter Option



TABLE 29. EVERPURE WATER VALVE AND FILTER OPTION

INDEX	PART	DESCRIPTION	QTY
-	6408013	FILTER HEAD ASSEMBLY - EVERPURE - 115 VAC (INCLUDES INDEX NUMBERS 1 THROUGH 3 AND 7 AND 8, EXCEPT 230 VAC VALVE ASSEMBLY, ITEM 8)	1
	6408026	FILTER ASSEMBLY - EVERPURE - 230 VAC (INCLUDES INDEX NUMBERS 1 THROUGH 3 AND 7 AND 8 EXCEPT, 115 VAC VALVE ASSEMBLY, ITEM 8)	
1	6408119	MALE CONNECTOR - BRASS	1
2	6408117	BUSHING - 1/4 X 3/8 - BRASS	1
3	3158023	BRACKET - MOUNTING - WATER FILTER	1
4	6408136	INLET LINE - COPPER (MADE FROM COPPER TUBING 9082699)	1
5	2342315	CLIP - WIRE	1
6	6408135	WATER FILTER - EVERPURE	1
7	6408134	FILTER HEAD - EVERPURE FILTER	1
8	3158061	VALVE ASSEMBLY - WATER INLET - 115 VAC (USED ON 115 VAC FILTER HEAD ASSEMBLY)	1
	6408003	VALVE ASSEMBLY - WATER INLET - 230 VAC (USED ON 230 VAC FILTER HEAD ASSEMBLY)	



640p0102

Figure 30. Water Valve - Without Filter Option



TABLE 30. WATER VALVE - WITHOUT FILTER OPTION

INDEX	PART	DESCRIPTION	QTY
-	6408016	BRACKET/INLET VALVE ASSEMBLY - 115 VAC (INCLUDES INDEX ITEMS 1 THROUGH 3, EXCEPT 230 VAC VALVE ASSEMBLY, AND 6 AND 7)	1
	6408017	BRACKET/INLET VALVE ASSEMBLY - 230 VAC (INCLUDES INDEX ITEMS 1 THROUGH 3, EXCEPT 115 VAC VALVE ASSEMBLY, AND 6 AND 7)	
1	6408133	BRACKET - INLET WATER VALVE	1
2	3158061	VALVE ASSEMBLY - 115 VAC - WATER INLET (USED ON 115 VAC BRACKET/INLET VALVE ASSEMBLY)	1
	6408003	VALVE ASSEMBLY - 230 VAC - WATER INLET USED ON 230 VAC BRACKET/INLET VALVE ASSEMBLY)	
3	6231503	ADAPTER - 3/8 X 1/4	1
4	2342315	CLIP - WIRING HARNESS	1
5	6408137	INLET LINE - COPPER - 1/4 IN OD X 24.81 IN LG (MADE FROM COPPER TUBING 9082699)	1
6	6408119	MALE CONNECTOR - BRASS	1
7	3108048	GLOBE VALVE - WATER	1

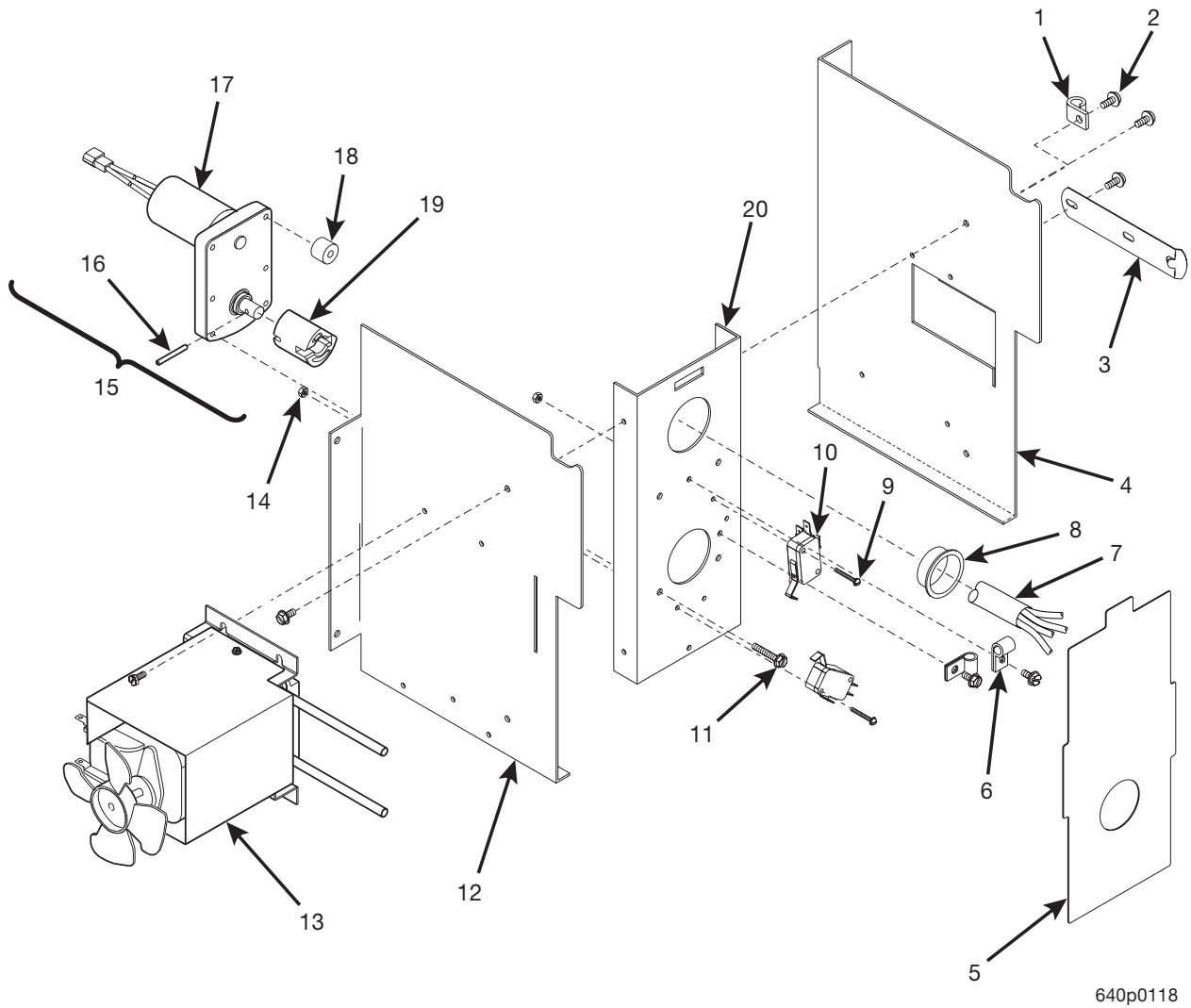
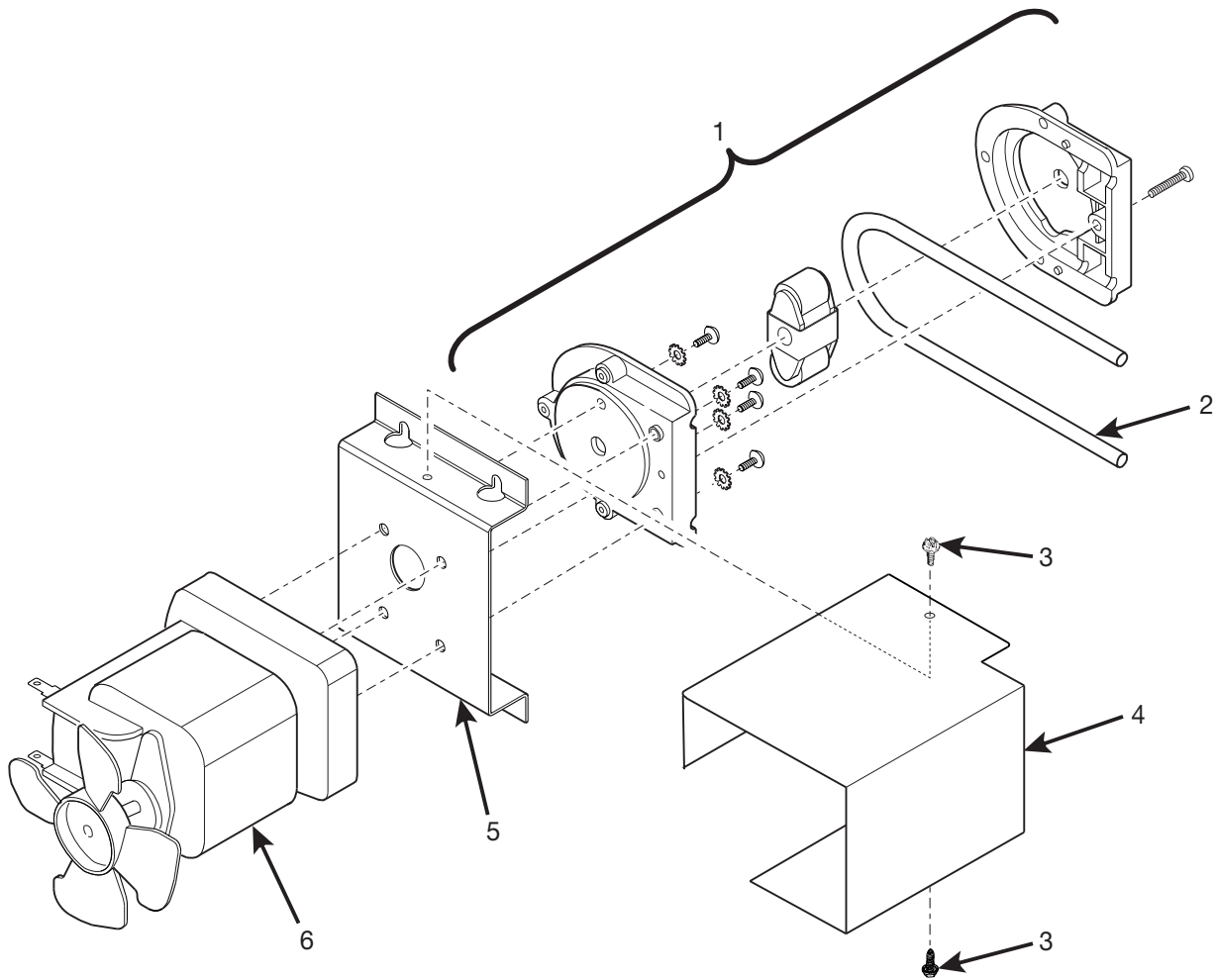


Figure 31. Brewer Drive and Pump Assemblies



TABLE 31. BREWER DRIVE AND PUMP ASSEMBLIES

INDEX	PART	DESCRIPTION	QTY
-	6404105	BREWER DRIVE AND PUMP ASSEMBLY - 230 VAC VAC (MODEL 640 ONLY)	1
	6404104	BREWER DRIVE AND PUMP ASSEMBLY -115 VAC VAC (MODEL 640 ONLY)	
1	4305043	HARNESS CLIP - I INCH	2
2	1451097	SCREW - # 8-32 X 0.31 - HX HD	10
3	6404103	SPRING - BREWER LATCH	1
4	6404085	PLATE - RIGHT SIDE - BREWER MOUNTING	1
5	6404106	COVER - BREWER SWITCHES	1
6	1211161	CABLE CLAMP	22
7	6409026	HARNESS - BREWER SWITCHES	1
8	6106021	BUSHING - # SB 1500-21	1
9	1217160	SCREW - # 8 - 32 X 0.81 HX HD	4
10	5220108	SWITCH	2
11	1457027	SCREW - # 4-40 KEPS	4
12	6404084	PLATE - LEFT SIDE - BREWER MOUNTING	1
13	-	PUMP ASSEMBLY (SEE FIGURE 32. FOR DETAILS)	1
14	1217159	NUT - # 4-40 KEPS	2
15	6404009	MOTOR AND CYCLE CAM ASSEMBLY (INCLUDES ITEMS 16,17 AND 19)	1
16	4047061	ROLL PIN - 1/8 X 1/18	1
17	6404010	BREWER MOTOR - 24 VDC	1
18	4302134	SPACER - PC BOARD	1
19	6404011	CYCLE CAM - SWITCH COUPLER	1
20	6404086	PLATE - BREWER MOTOR MOUNTING	1



640p0119

Figure 32. Brewer Pump Assemblies



TABLE 32. BREWER PUMP ASSEMBLIES

INDEX	PART	DESCRIPTION	QTY
-	6404100	PUMP ASSEMBLY - BREWER- 115 VAC (INCLUDES ITEMS 1 THROUGH 6, EXCEPT 230VAC MOTOR, ITEM 6)	1
	6404099	PUMP ASSEMBLY - BREWER- 230 VAC (INCLUDES ITEMS 1 THROUGH 6, EXCEPT 115 VAC MOTOR, ITEM 6)	
1	6404078	PERISTALTIC PUMP KIT	1
2	6404045	TUBE - 32 IN LG (MADE FROM BULK TUBING 6404059)	1
3	1451097	SCREW # 9-32 X 0.31 HX HD	2
4	6404102	COVER - PUMP MOTOR	1
5	6404101	BRACKET - PUMP MOUNTING	1
6	6404077	MOTOR - BREWER PUMP - 230 VAC (USED ON 230 VAC PUMP ASSEMBLY)	1
	6404076	MOTOR - BREWER PUMP - 115VAC (USED ON 115 VAC PUMP ASSEMBLY)	

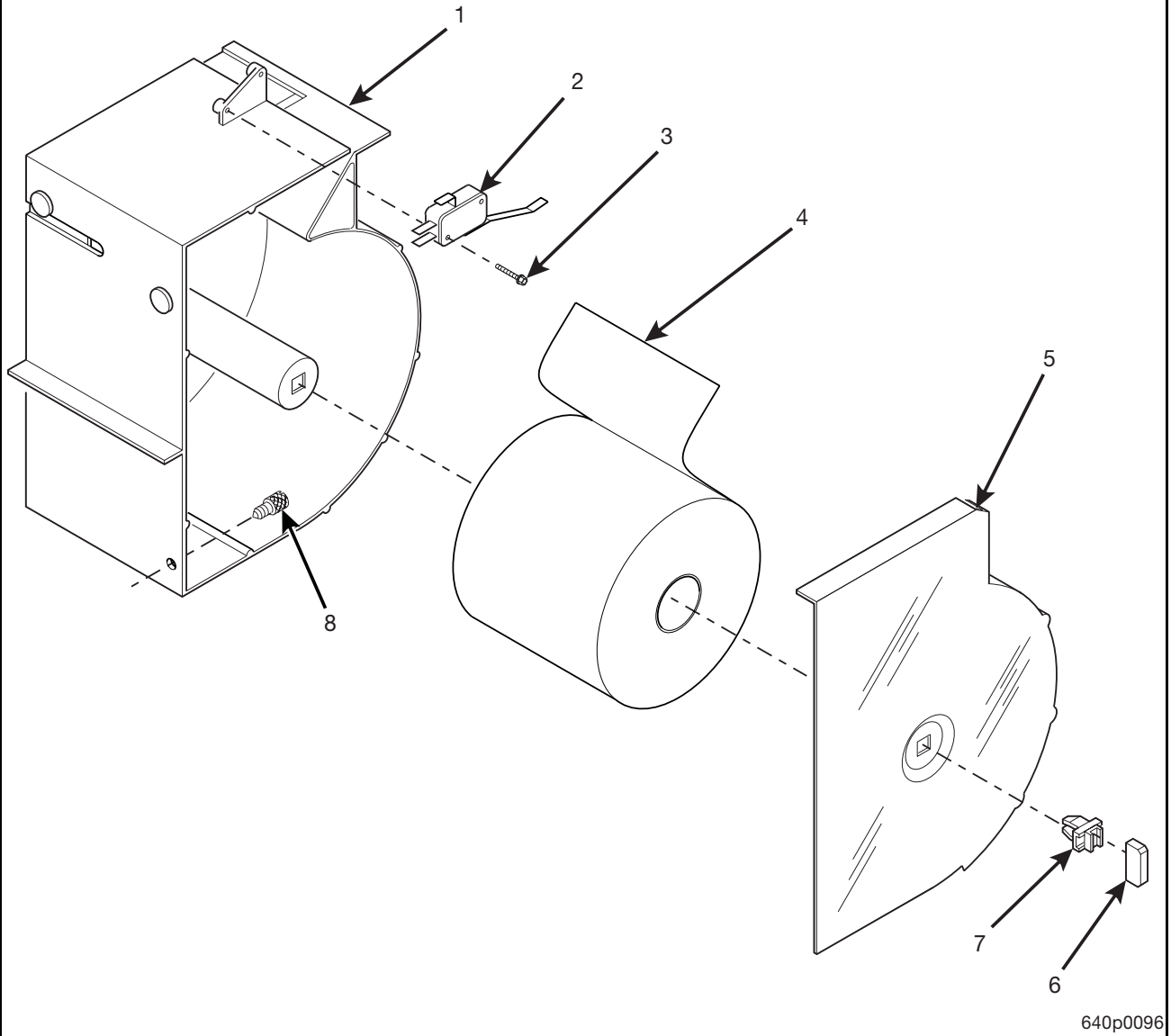
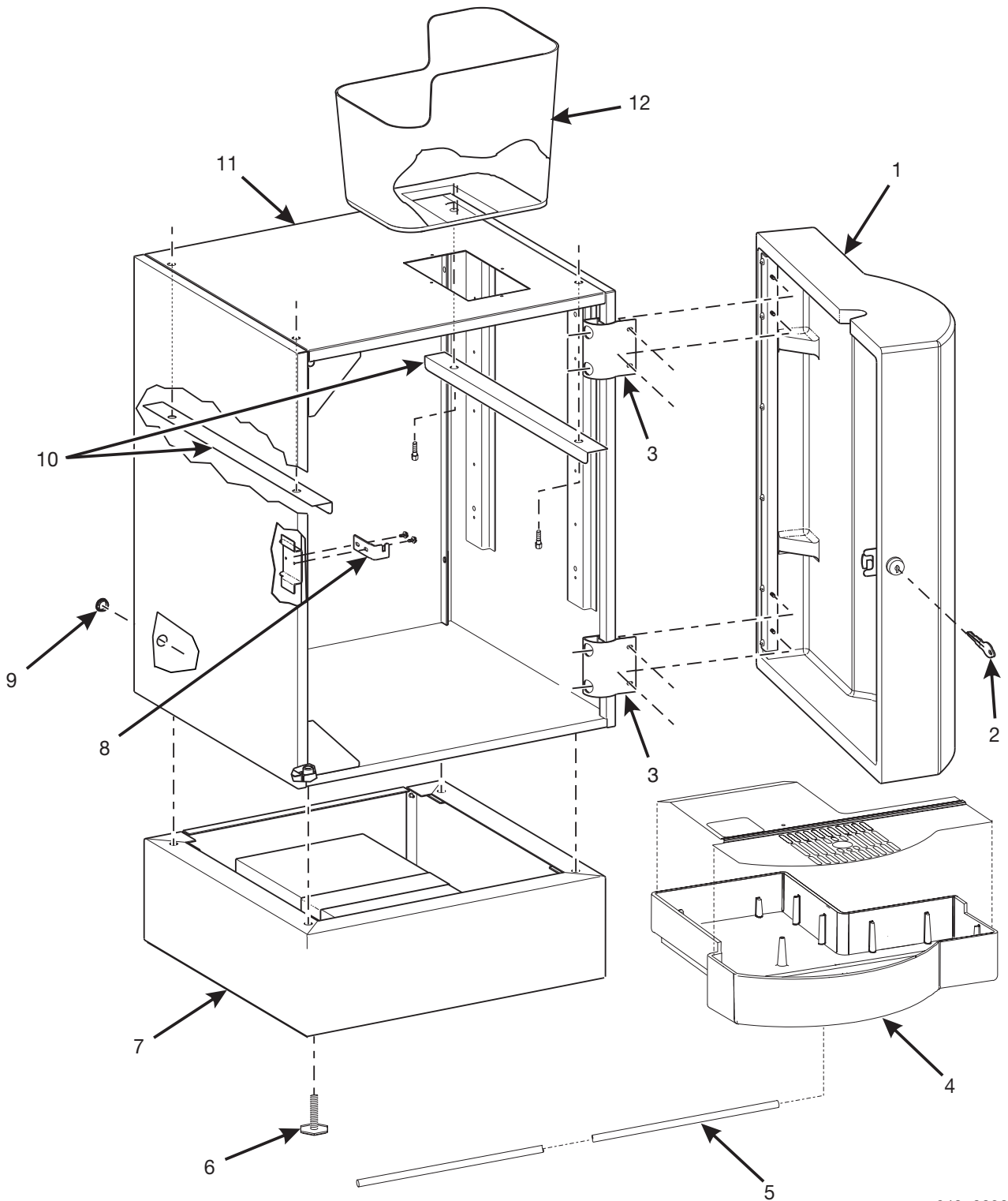


Figure 33. Filter Paper Housing Assembly



TABLE 33. FILTER PAPER HOUSING ASSEMBLY

INDEX	PART	DESCRIPTION	QTY
-	6404112	FILTER PAPER HOUSING ASSEMBLY (INCLUDES INDEX ITEMS 1 THROUGH 7 EXCEPT 4)	1
1	6844001	FILTER PAPER HOUSING	1
2	3118011	SWITCH - LIMIT	1
3	6238070	SCREW - # 4-17 X 0.62 HX HD	2
4	6404062	ROLL ASSEMBLY - FILTER PAPER	1
5	6404054	COVER - FILTER PAPER	1
6	6404061	LATCH - 1/4 TURN	1
7	6404060	FASTENER - 1/4 TURN	1
8	2206028	THUMB SCREW - SIDEWALL	3



640p0098

Figure 34. Base/Storage Cabinet Options - Part 1



TABLE 34. BASE/STORAGE CABINET OPTIONS - PART 1

INDEX	PART NUMBER	DESCRIPTION	QUANTITY
-	6401800	BASE CABINET - FINAL (INCLUDES INDEX ITEMS 2, 6 THROUGH 8 AND 10 AND 12, AS WELL AS DOOR ASSEMBLY [PN6401861, ITEM 1], PLUG HOLE [PN 6401851, ITEM 9], FROM FIGURE 35 AND ALL ITEMS OF FIGURE 35. EXCEPT PN 6401881, ITEM 2)	1
1	6401861	DOOR ASSEMBLY - BASE CABINET (SEE FIGURE 36. FOR DETAILS)	1
	6401875	DOOR ASSEMBLY - BASE CABINET - ADA (SEE FIGURE 36. FOR DETAILS)	
2	2221920	KEY - DOOR LOCK	1
3	6401049	HINGE ASSEMBLY - DOOR	2
4	6401010	LIQUID DRAIN TRAY - THROUGH HOLE	1
5	6401855	TUBE - DRAIN	1
6	6401809	LEVELER - BASE CABINET	1
7	6401835	SKIRT ASSEMBLY - RIVETED BASE	1
8	6401026	LATCH PLATE	1
9	6401851	PLUG - HOLE	1
	6441001	PLUG - HOLE - 0.594 DIA	
	6107103	PLUG - HOLE - 1 1/2 DIA	
10	6401819	ANGLE - MOUNTING - BASE/STORAGE CABINET	1
11	6441801	BASE CABINET - ADHESIVE BOND	1
	6441869	BASE CABINET - ADHESIVE BOND - ADA	
12	6401857	BUCKET - GROUNDS - CUTOUT (MODEL 640 ONLY)	1

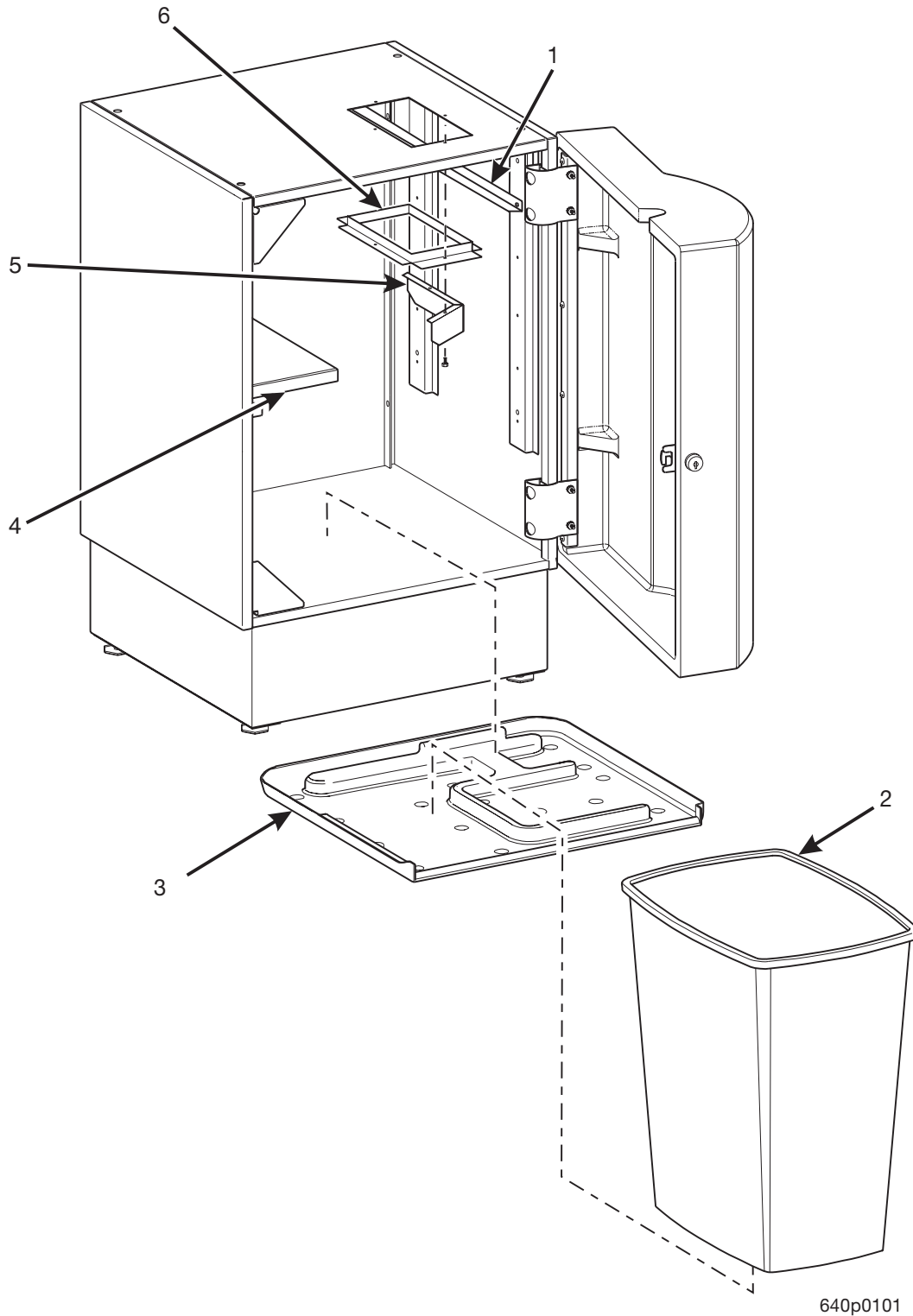


Figure 35. Base/Storage Cabinet Options - Part 2



TABLE 35. BASE/STORAGE CABINET OPTIONS - PART 2

INDEX	PART	DESCRIPTION	QTY
1	6401844	SPACER - WASTE BUCKET	1
2	6231475	BUCKET - GROUNDS (MODEL 640 ONLY)	1
	6401881	GROUNDS BUCKET - ADA (MODEL 640 ONLY)	
3	6401009	LINER - FLOOR - CUTOUT	1
4	6401824	SHELF - BASE CABINET - NARROW	1
5	6401866	DEFLECTOR - GROUNDS OPENING	1
6	6401840	ENCLOSURE - GROUNDS OPENING	1
-	6231478	BAG - GROUNDS BUCKET (MODEL 640 ONLY)	AR
-	6104456	TWIST - IT	AR

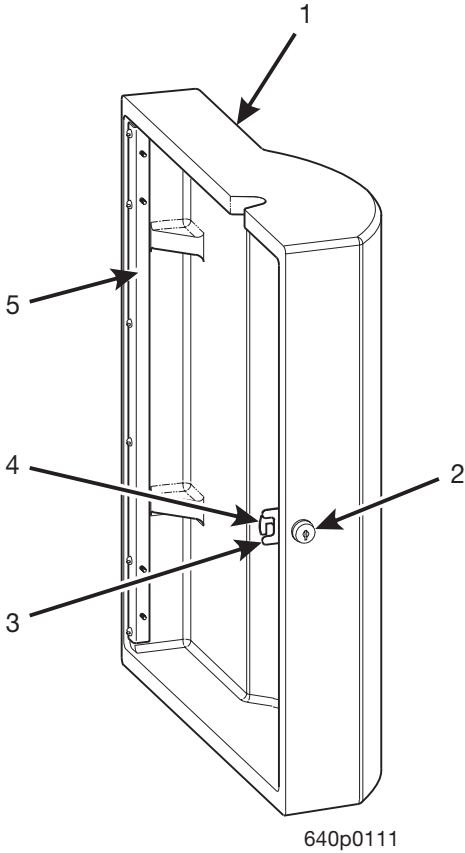


Figure 36. Doors - Base Storage Cabinets



TABLE 36. DOORS - BASE STORAGE CABINETS

INDEX	PART	DESCRIPTION	QTY
-	6401861	DOOR ASSEMBLY - BASE CABINET (INCLUDES INDEX ITEMS 1 THROUGH 4)	1
-	6401869	DOOR ASSEMBLY - BASE CABINET - ADA (INCLUDES INDEX ITEMS 2 THROUGH 4, DOOR ASSEMBLY 7401875, ITEM 1 AND BAR ASSEMBLY 6401863, ITEM 5)	1
1	6401862	DOOR -BASE CABINET	1
-	6401875	DOOR ASSEMBLY - BASE CABINET - ADA	1
2	6401035	LOCK - DOOR - TTC	1
3	6401030	STRIKE - DOOR	1
4	6401053	CAM - LOCK - CHICAGO	1
5	6401878	HINGE BAR ASSEMBLY - BASE LAB - ADA	1
-	6401863	BAR ASSEMBLY - HINGE - BASE CABINET HINGE	1

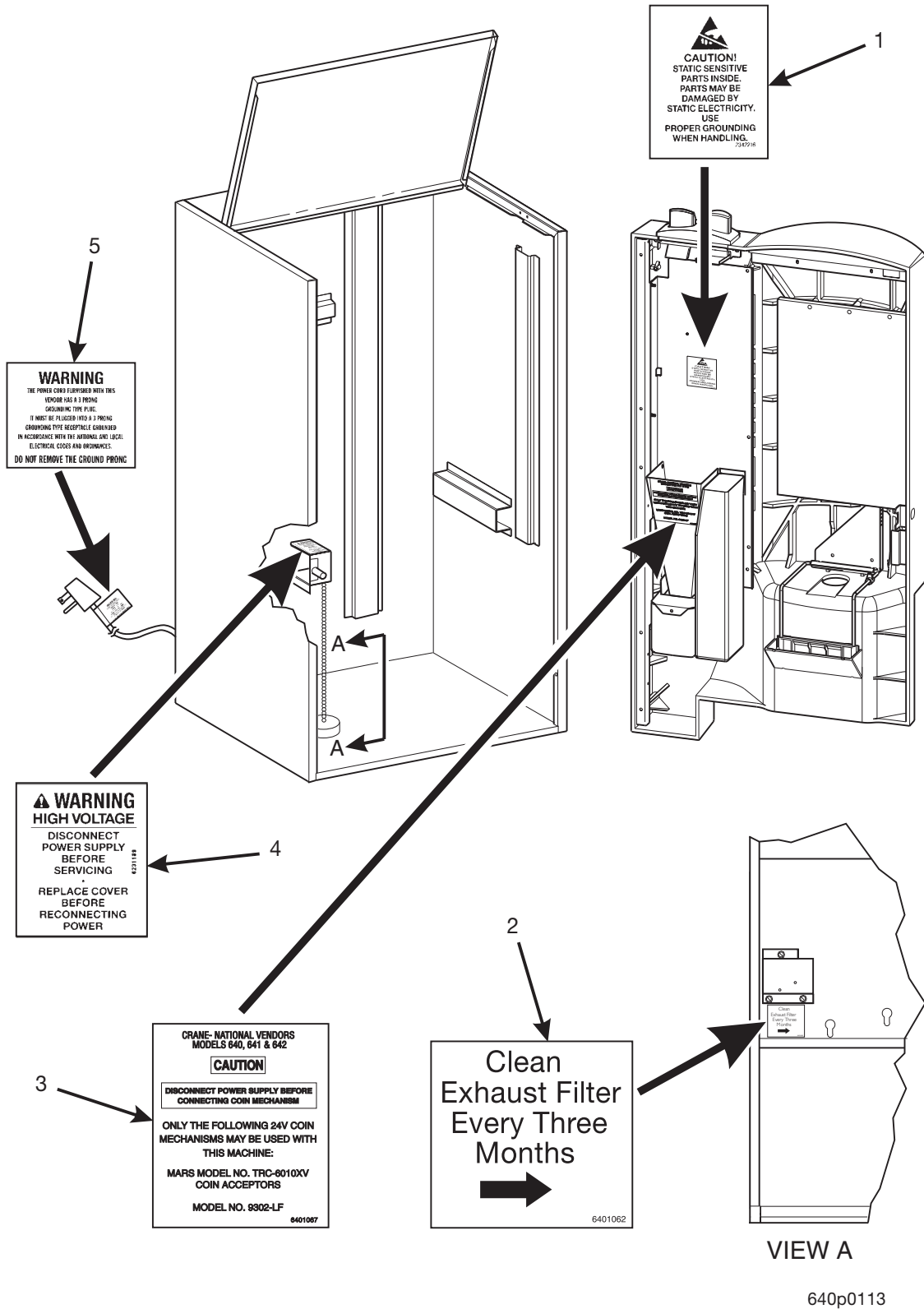


Figure 37. Labels - Part 1



TABLE 37. LABELS - PART 1

INDEX	PART	DESCRIPTION	QTY
1	2342216	LABEL - STATIC CAUTION (ENGLISH)	1
	6231219	LABEL - STATIC CAUTION (FRENCH)	
	6232518	LABEL - STATIC CAUTION (GERMAN)	
2	6401062	LABEL - CLEANING - EXHAUST FILTER (ENGLISH)	1
	6401081	LABEL - CLEANING - EXHAUST FILTER (FRENCH)	
	6400063	LABEL - CLEANING - EXHAUST FILTER (GERMAN)	
3	6401067	LABEL - COIN MECHANISM (ENGLISH) (NOT USED ON FOREIGN MODELS)	1
4	6231189	LABEL - WARNING - HIGH VOLTAGE (ENGLISH EXCEPT UK)	3
	6231229	LABEL - WARNING - HIGH VOLTAGE (FRENCH)	
	6231216	LABEL - WARNING - HIGH VOLTAGE (GERMAN)	
5	9989526	LABEL - POWER CORD WARNING - (ENGLISH -EXCEPT UK)	1
	9989585	LABEL - POWER CORD WARNING - (ENGLISH - UK ONLY)	

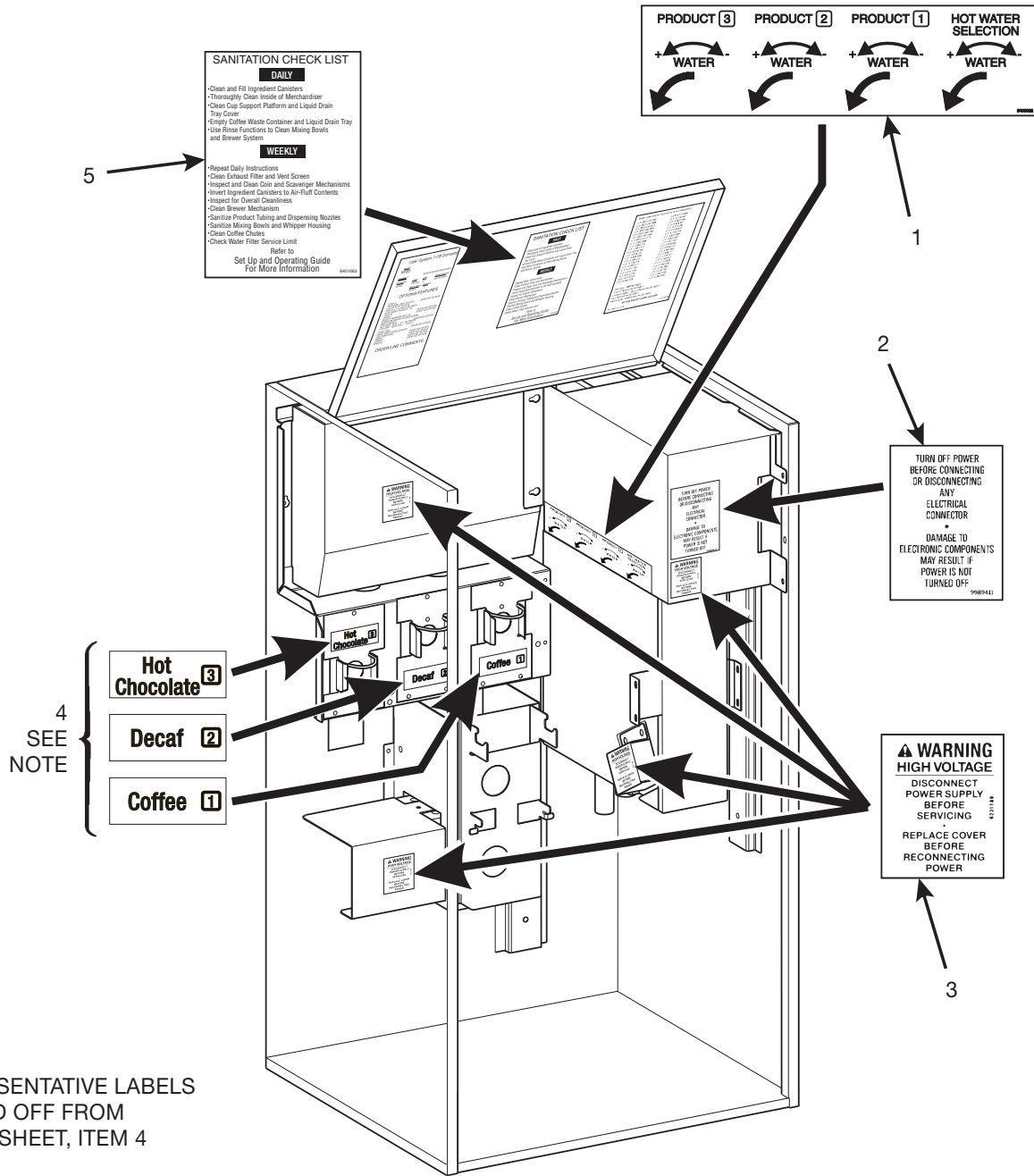


Figure 38. Labels - Part 2



TABLE 38. LABELS - PART 2

INDEX	PART	DESCRIPTION	QTY
1	6408018	LABEL - WATER VALVE ADJUSTMENT (ENGLISH)	1
	6408023	LABEL - WATER VALVE ADJUSTMENT (FRENCH)	
	6400062	LABEL - WATER VALVE ADJUSTMENT (GERMAN)	
2	9989411	LABEL - CAUTION - ELECTRICAL CONNECTOR -ENGLISH	1
	6401083	LABEL - CAUTION - ELECTRICAL CONNECTOR (FRENCH)	
	3162105	LABEL - CAUTION - ELECTRICAL CONNECTOR (GERMAN)	
3	6231189	LABEL - WARNING - HIGH VOLTAGE (ENGLISH)	1
	6231229	LABEL - WARNING - HIGH VOLTAGE (FRENCH)	
	6231216	LABEL - WARNING - HIGH VOLTAGE (GERMAN)	
4	6401093	LABELS - CANISTERS (ENGLISH) (CONSISTS OF PEEL OFF LABELS FOR ATTACHEMENT TO FRONT OF CANISTERS AND BEHIND CANISTERS JUST BELOW CANISTER DRIVE MOTORS)	1
	6401095	LABELS - CANISTERS (FRENCH) (CONSISTS OF PEEL OFF LABELS FOR ATTACHMENT TO FRONT OF CANISTERS AND BEHIND CANISTERS JUST BELOW CANISTER DRIVE MOTORS)	
	6401094	LABELS - CANISTERS (GERMAN) (CONSISTS OF PEEL OFF LABELS FOR ATTACHEMENT TO FRONT OF CANISTERS AND BEHINDCANISTERS JUST BELOW CANISTER DRIVE MOTORS)	
5	6401063	LABEL - SANITATION CHECKLIST (ENGLISH)	1
	6401072	LABEL - SANITATION CHECKLIST (FRENCH)	
	6401071	LABEL - SANITATION CHECKLIST (GERMAN)	

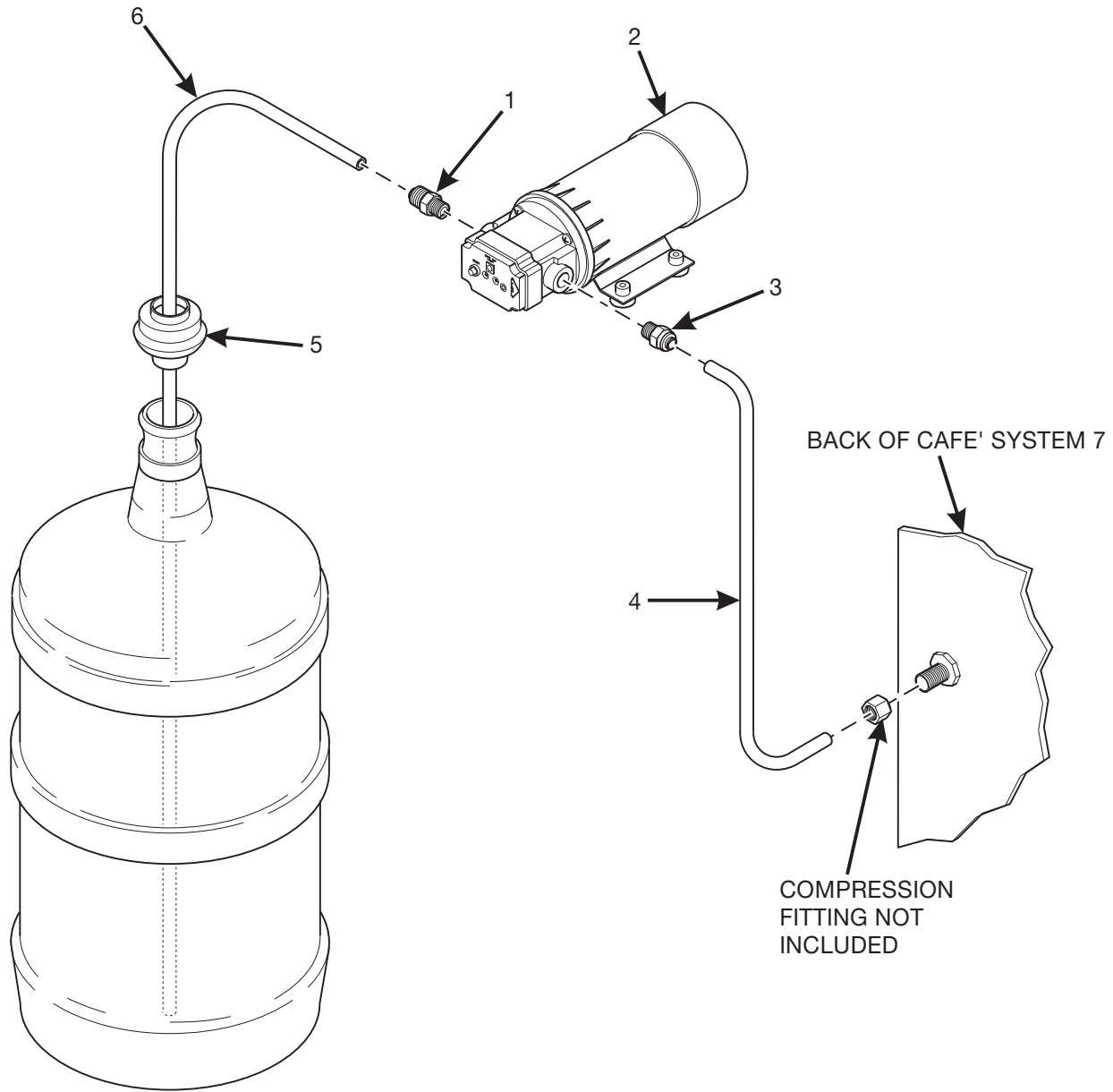
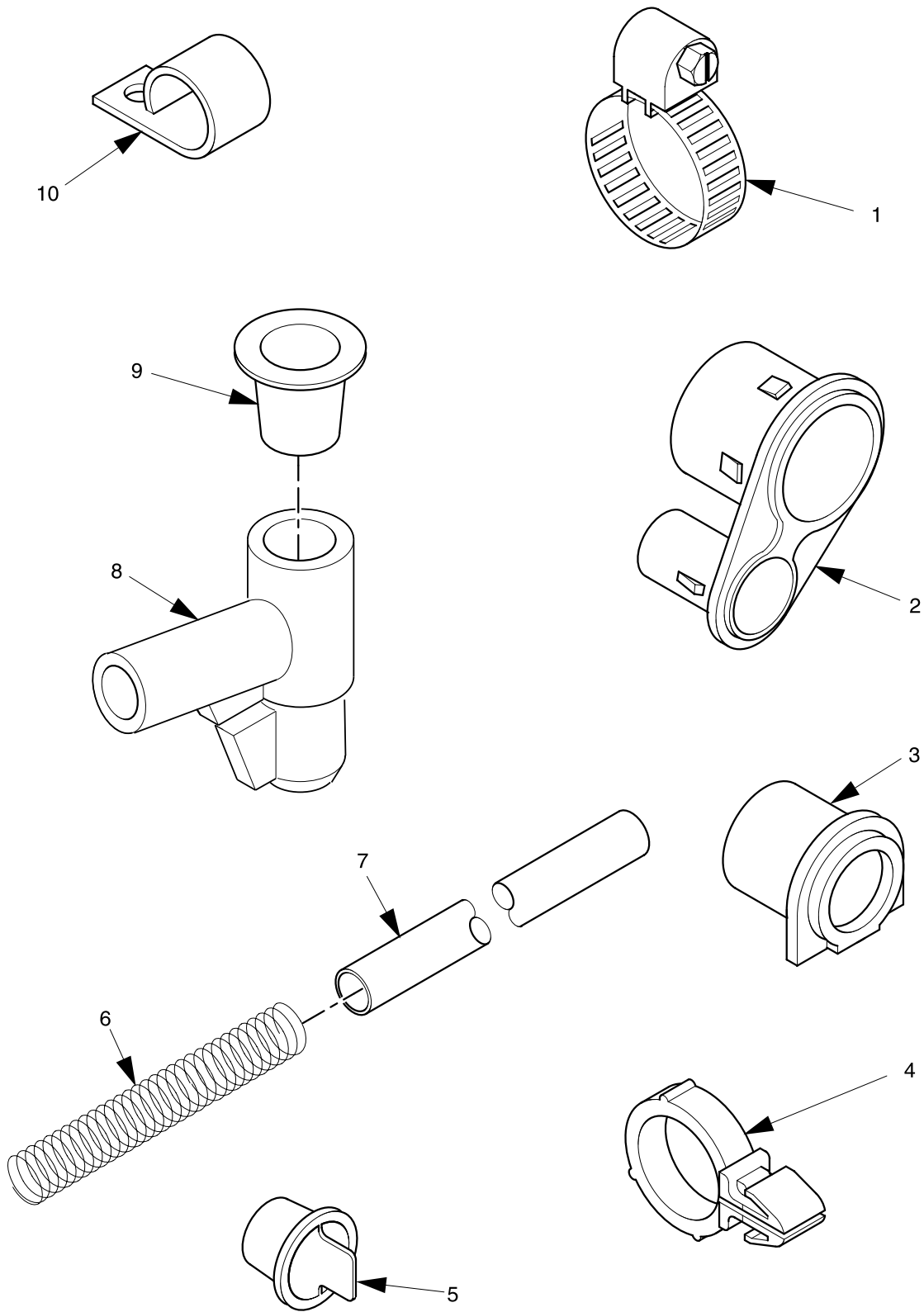


Figure 39. Bottled Water Pump Option



TABLE 39. BOTTLED WATER PUMP OPTION

INDEX	PART	DESCRIPTION	QTY
-	6400858	BOTTLED WATER PUMP PACKAGE - 230 VAC (INCLUDES ALL ITEMS EXCEPT 115 VAC WATER PUMP, ITEM 1)	1
	6400827	BOTTLED WATER PUMP PACKAGE - 115 VAC (INCLUDES ALL ITEMS EXCEPT 230 VAC WATER PUMP, ITEM 1)	
1	6408217	PUMP - WATER -115 VAC (USED ON 115 VAC BOTTLED WATER PUMP PACKAGE)	1
	6408226	PUMP- WATER - 230 VAC (USED ON 230 VAC BOTTLED WATER PUMP PACKAGE)	
2	6408214	FITTING 3/8 OD X 1/4 NPT	1
3	6408221	FITTING - 1/4 OD X 1/4 NPT	1
4	6408222	TUBE - COPPER - 120 IN LENGTH (MADE FROM TUPING - COPPER - 0.250 ID X 0.028 WALL, PN 9082699	1
5	6408213	COVER/FILTER - WATER BOTTLE	1
6	6408219	TUBE - PLASTIC - WATER BOTTLE - 120 IN LENGTH (MADE FROM PLASTIC TUBING, 3/8 IN DIA PN 6408220)	1



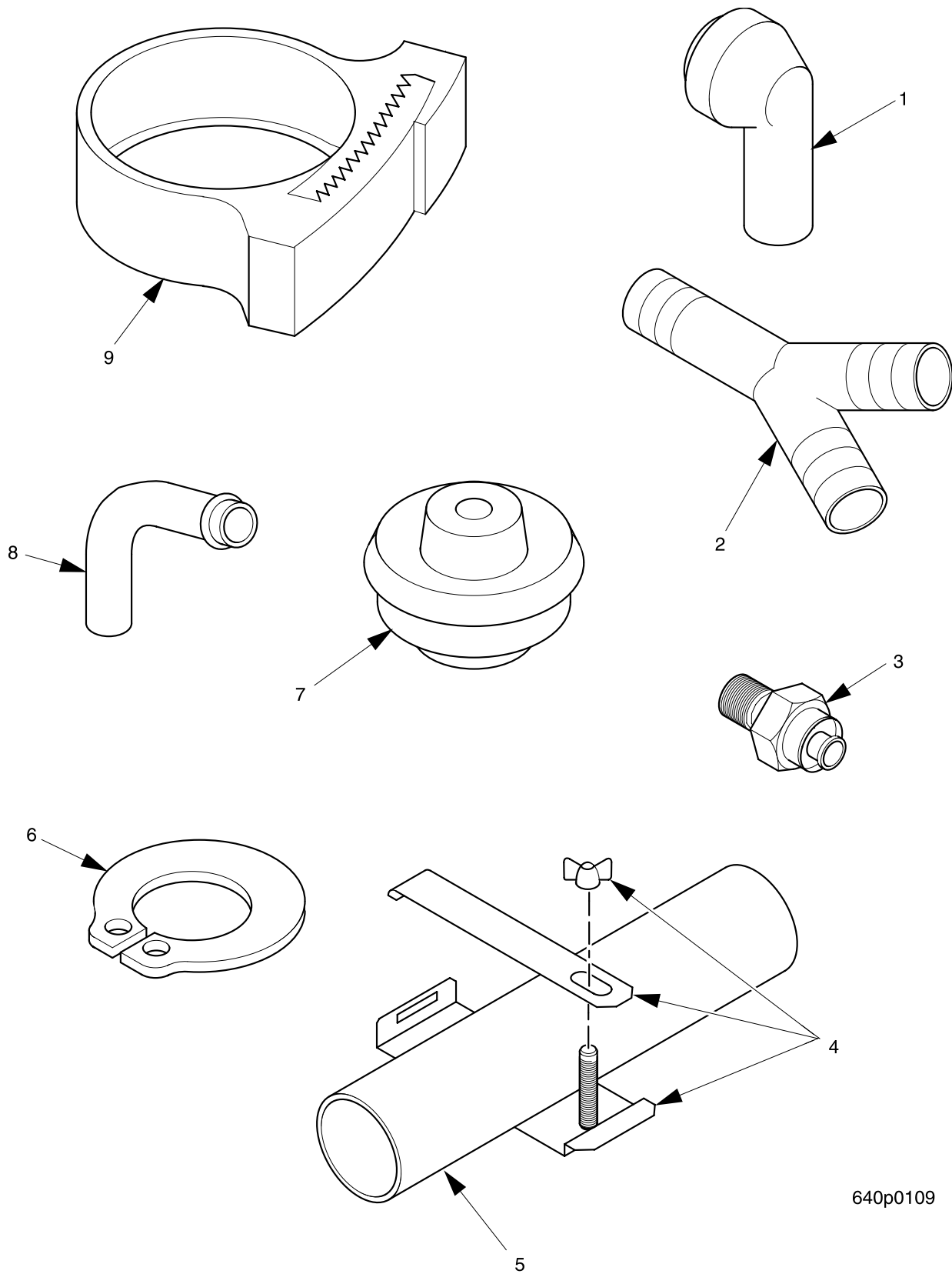
640p0110

Figure 40. Product/Water Distribution Components - Part 1



TABLE 40. PRODUCT/WATER DISTRIBUTION COMPONENTS - PART 1

INDEX	PART NUMBER	DESCRIPTION	QTY
1	3154059	CLAMP- STAINLESS STEEL (SECURES WATER INLET HOSE TO INLET PORT OF WATER TANK AND OUTLET PORT OF WATER INLET VALVE)	2
2	6237315	RETAINER - TUBE/MIXING BOWL (ONE, TWO OR NONE REQUIRED, DEPENDING ON SELECT/WHIPPER OPTION)	OPT
3	6407039	EXTENSION - MANIFOLD (USED AS INTERFACE BETWEEN EXHAUST BLOWER MANIFOLD AND HOSE GOING TO WHIPPER COUPLER ON FRESH BREW COFFEE WHIPPER)	1
4	6237099	RETAINER - HARNESS (SECURES WATER TUBES, CONNECTED TO WATER VALVES AND MIXING BOWLS, TO CABINET (REQUIRES ONE TO FOUR DEPENDING ON SELECT/WHIPPER OPTION)	OPT
5	6237303	PLUG - CENTER PULL (USED TO CAP UNUSED PORTS IN EXHAUST BLOWER MANIFOLD) (REQUIRES ONE, TWO OR NONE DEPENDING ON SELECT WHIPPER OPTION)	OPT
6	6408126	SPRING - COIL (USED TO WRAP OVERFLOW TUBE, INDEX ITEM 7, TO PREVENT IT FROM KINKING)	1
7	6408209	TUBE - OVERFLOW - 18.5 INCHES (MADE FROM TUBING -SILICON 0.875 ID X 1.063 OD PN 6408208) (ATTACHED TO BOTTOM OF WATER TANK)	1
8	6407032	SPOUT ASSEMBLY - SCREEN AND CAP (USED FOR FRESH BREW COFFEE AND DECAF)	1
8	6407044	SPOUT- DISPENSING WITH SPLITTER (CONNECTED TO PRODUCT DISPENSING TUBES AND ATTACHED TO NOZZLE SUPPORT ASSEMBLY) (REQUIRES ONE TO THREE DEPENDING ON SELECT/WHIPPER OPTION)	OPT
9	4711020	CAPLUG - SPOUT (INSTALLED IN INDEX ITEM 6 AS ILLUSTRATED) (ONE TO THREE REQUIRED, DEPENDING ON SELECT/WHIPPER OPTION)	OPT
10	4751060	RETAINER - HARNESS (SECURES HOT WATER DISPENSING HOSE TO BACK WALL OF CABINET)	1
-	9082699	TUBING - COPPER - 0.250 ID BY 0.028 WALL (CONNECTED BETWEEN WATER INLET VALVE ASSEMBLY AND WATER INLET CONNECTOR ON BACK OF CABINET ALSO USED WITH OPTIONAL BOTTLED WATER PUMP PACKAGE)	AR
-	3618105	TUBING - SILICONE - 0.375 ID X 0.562 OD - VARIOUS LENGTH SECTIONS (USED FOR WATER AND PRODUCT DISTRIBUTION) (NUMBER AND LENGTH OF SECTIONS DEPENDENT ON SELECT WHIPPER OPTION)	AR



640p0109

Figure 41. Product/Water Distribution Components - Part 2

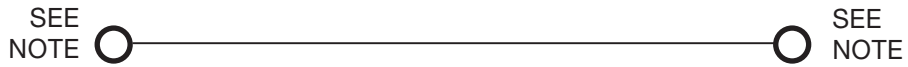


TABLE 41. PRODUCT/WATER DISTRIBUTION COMPONENTS - PART 2

INDEX	PART NUMBER	DESCRIPTION	QTY
1	6407019	COUPLER - WHIPPER (ONE COUPLER PROVIDES INTERFACE BETWEEN FRESH BREW WHIPPER ASSEMBLY AND HOSE COMING FROM BREWERTHER COUPLER CONNECTS TO VENT HOSE GOING TO FRESH BREW WHIPPER AND TO MANIFOLD EXTENSION)	2
2	6138094	CONNECTOR - "Y" TYPE (ONE LEG ATTACHED TO TUBE GOING TO FRESH BREW COFFEE SPOUT. OTHER LEGS ATTACHED TO TUBING GOING TO FRESH COFFEE WHIPPER AND EXHAUST BLOWER MANIFOLD EXTENSION)	1
3	6408214	FITTING - 3/8 OD X 1/4 NPT (USED WITH BOTTLED WATER PUMP PACKAGE)	OPT
	6408221	FITTING - 1/4 OD X 1/4 NPT(CONNECTS TO WATER PUMP ASSEMBLY AND COPPER INLET TUBING WHEN BOTTLED WATER PUMP PACKAGE IS USED)	
4	6408154	PLATE - PINCH ASSEMBLY (INSTALLED ON TANK DRAIN HOSE, INDEX ITEM 5 BELOW) (USED AS DRAIN VALVE FOR WATER TANK)	1
5	6408210	TUBE - DRAIN - 5 INCHES (INSTALLED ON BOTTOM OF WATER TANK) (MADE FROM TUBING - SILICON 0.875 ID X 1.063 OD PN 6408208)	1
6	6407030	RETAINING RING - SELF LOCKING (SECURES WATER NOZZLE (INDEX ITEM 8) TO DISPENSING BRACKET)(REQUIRES TWO IF EQUIPPED WITH HOT WATER NOZZLE, OTHERWISE NOT REQUIRED)	OPT
7	6408213	COVER/ FILTER - WATER BOTTLE (USED WITH BOTTLED WATER PUMP PACKAGE)	OPT
8	6407029	NOZZLE - HOT WATER (USED WITH WHIPPER OPTIONS REQUIRING TWO DISPENSING SPOUTS WITH SPLITTER.	OPT
9	6408125	CLAMP - TUBE (SECURES TANK OVERFLOW AND DRAIN TUBES TO BOTTOM PORTS OF WATER TANK)	2
-	6408219	TUBE - PLASTIC - WATER BOTTLE (MADE FROM 3/8 DIA TUBING - PLASTIC PN 6408220)(USED WITH BOTTLED WATER PUMP PACKAGE)	OPT
-	6404045	TUBE (BREWER PUMP TO FRESH BREW COFFEE WHIPPER) (MADE FROM TUBE PHARMED - 0.38 OD X 0.25 ID, PN 6404059)	1
-	6408200	TUBE - WATER INLET (CONNECTS BETWEEN TOP OF WATER INLET VALVE ASSEMBLY AND TOP PORT OF WATER TANK) (MADE FROM TUBING -3168123 UK AQUAVEND 0.375 ID	1



**1475119
JUMPER - GROUND WIRE**



NOTE:
TWO APPLICATIONS

1. FROM BACK WALL OF CABINET TO WATER TANK
2. FROM BACK WALL OF CABINET TO POWER PANEL AND SUPPORT ASSEMBLY

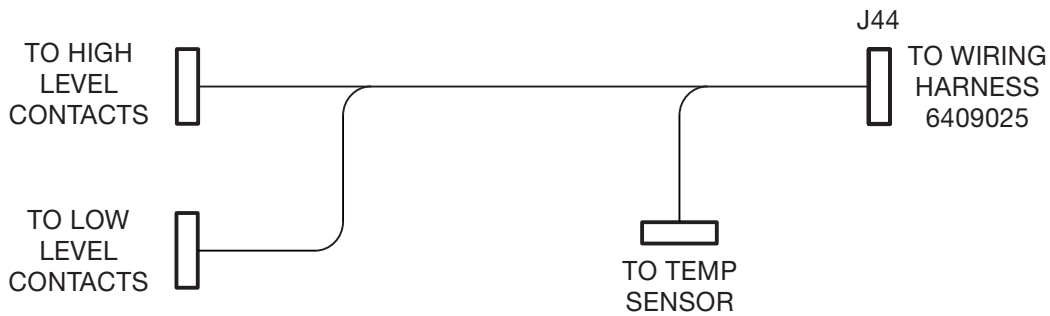
1475119

**6237157
HARNESS - WHIPPER MOTOR**



6237157

**6339021
HARNESS - FLOAT SWITCH**



6339021

Figure 42. Wiring Harnesses (Part 1 of 5)

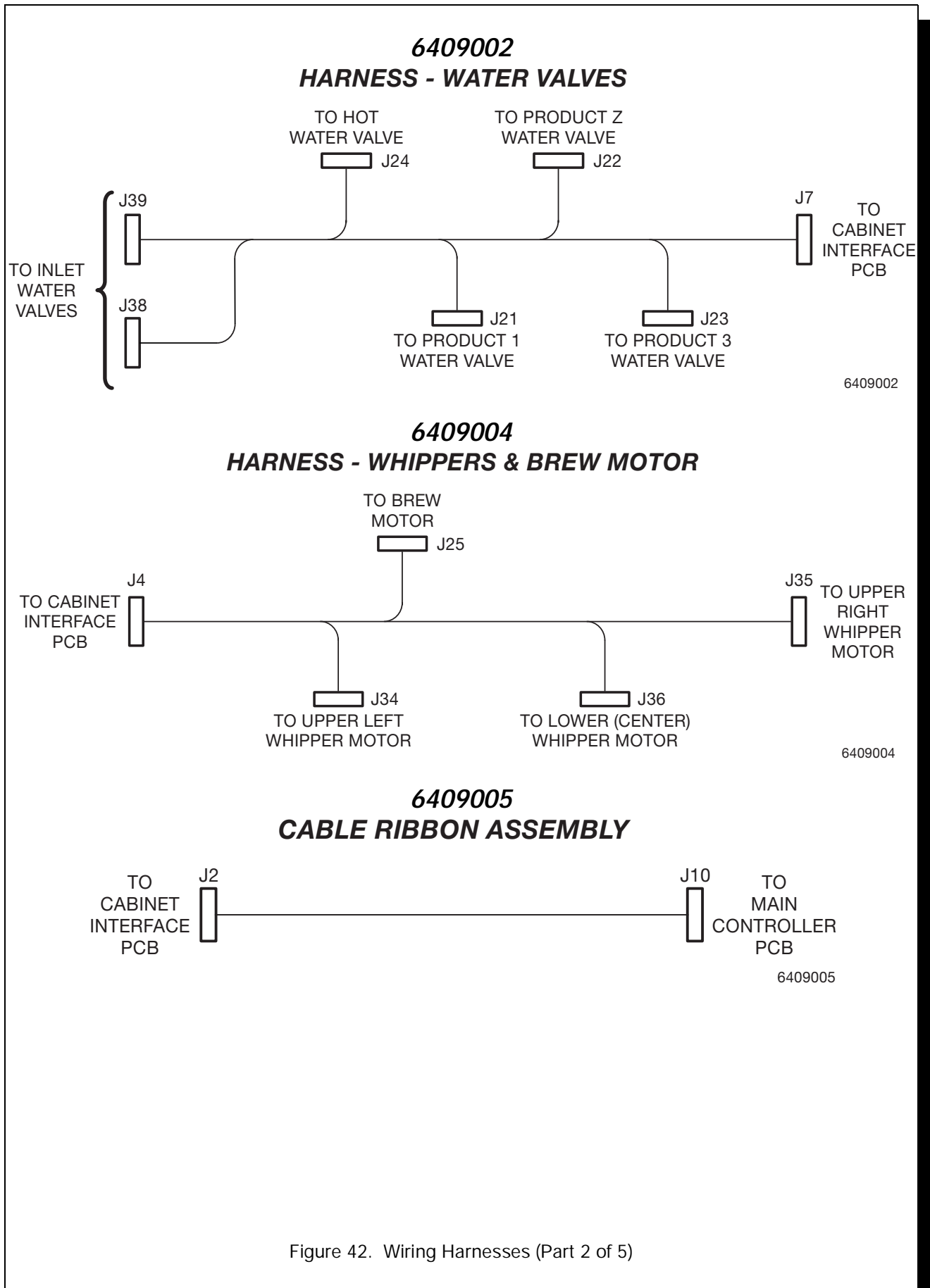


Figure 42. Wiring Harnesses (Part 2 of 5)

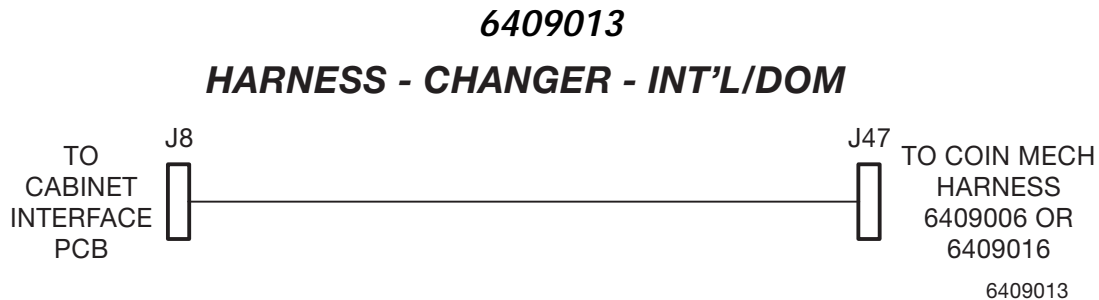
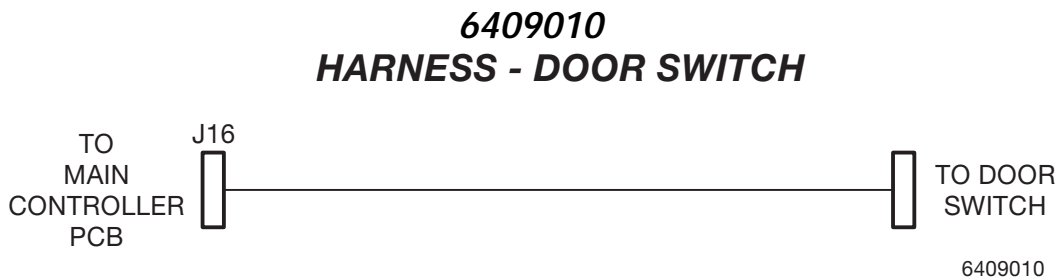
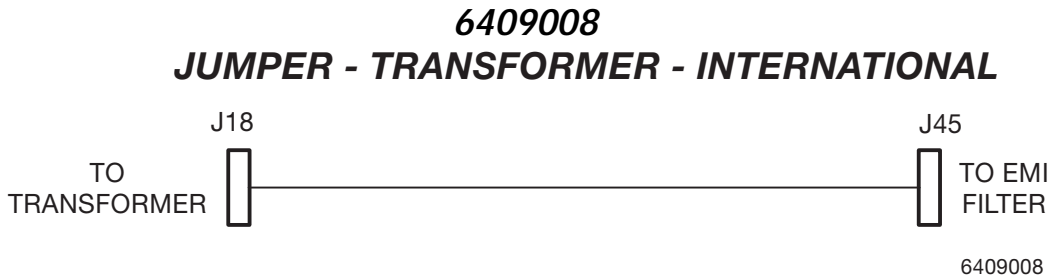
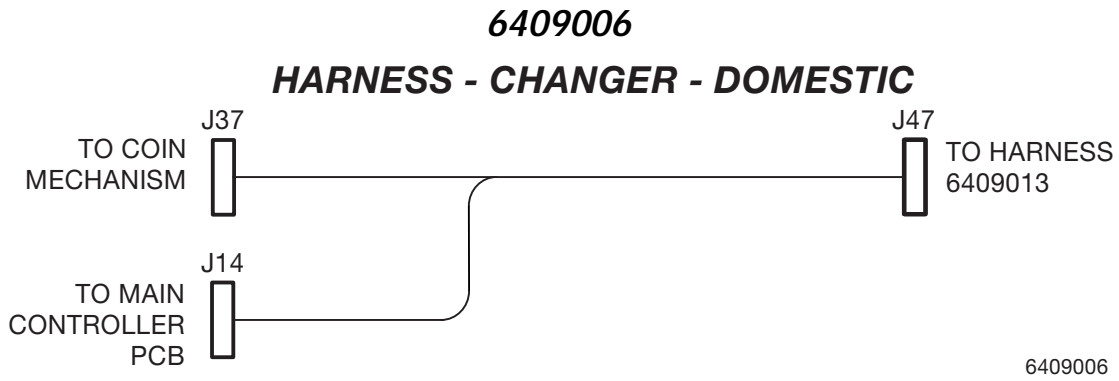


Figure 42. Wiring Harnesses (Part 3 of 5)

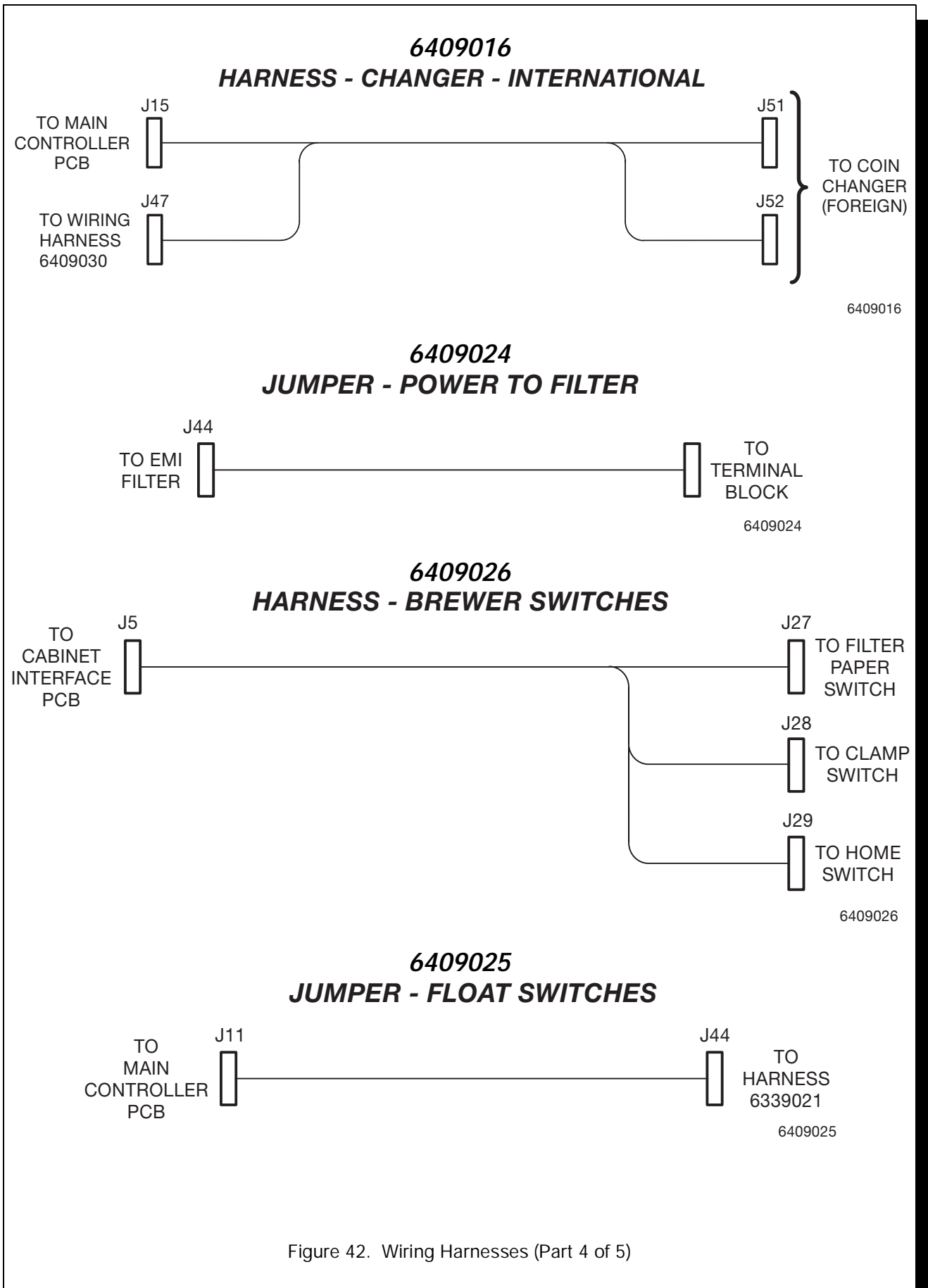


Figure 42. Wiring Harnesses (Part 4 of 5)



9989637
JUMPER BLOWER



9989637

Figure 42. Wiring Harnesses (Part 5 of 5)